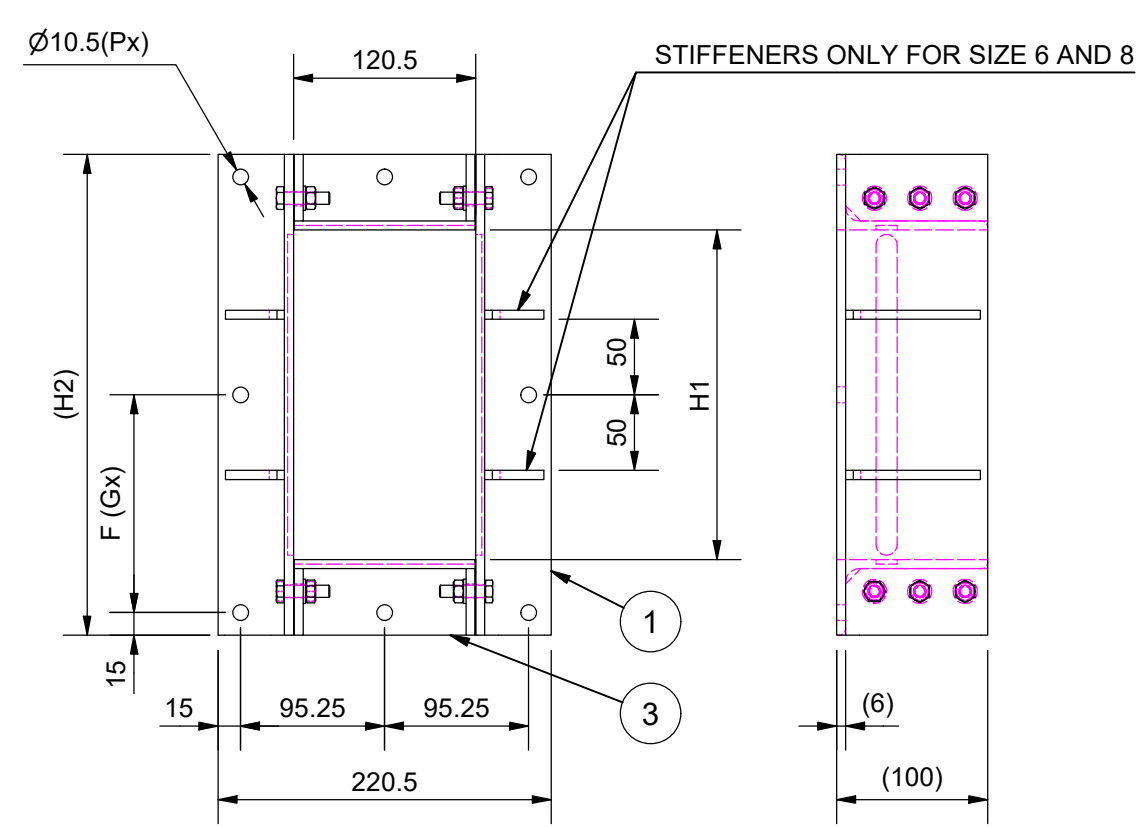
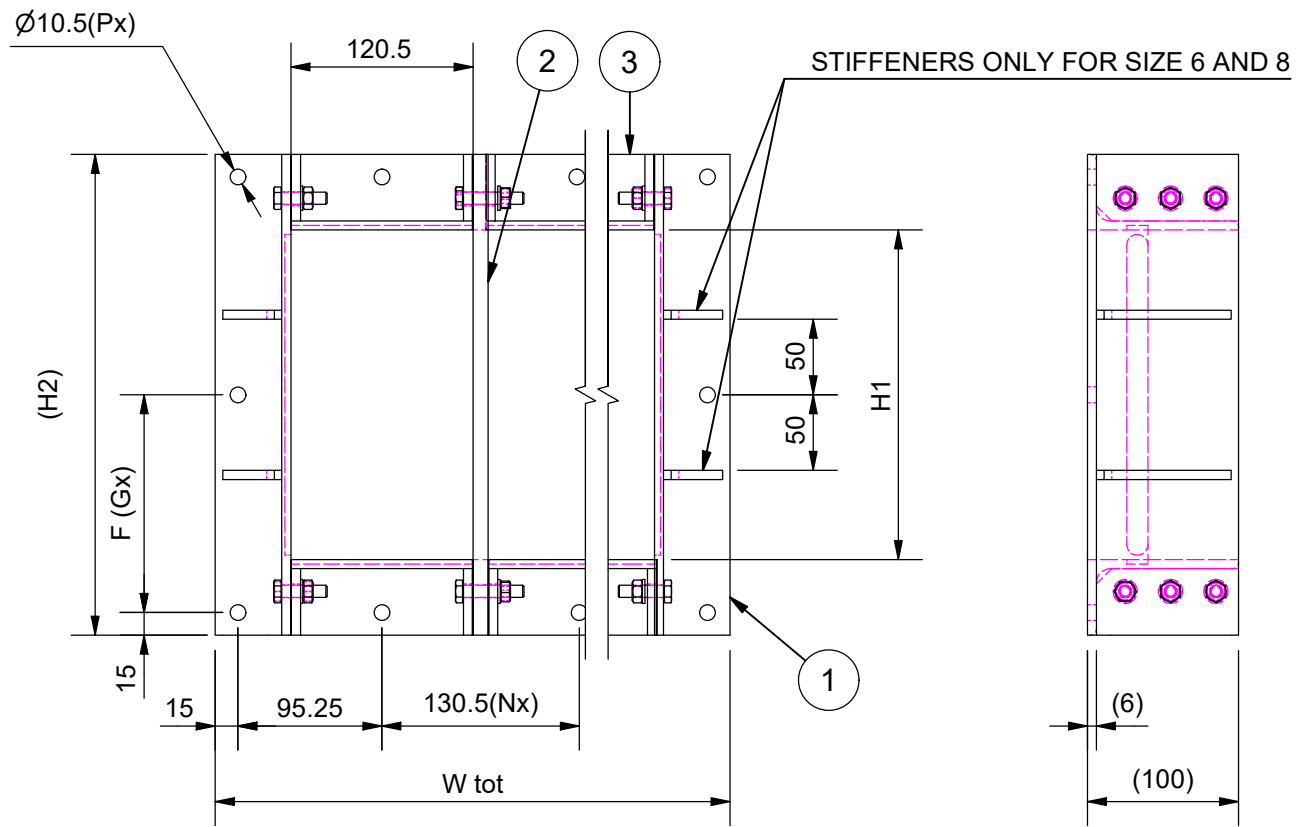


烙克赛克保留所有权利。未经授权严禁复制、使用以及向第三方泄露。

All rights reserved. Unauthorized reproduction, use or disclosure to third parties is strictly forbidden.

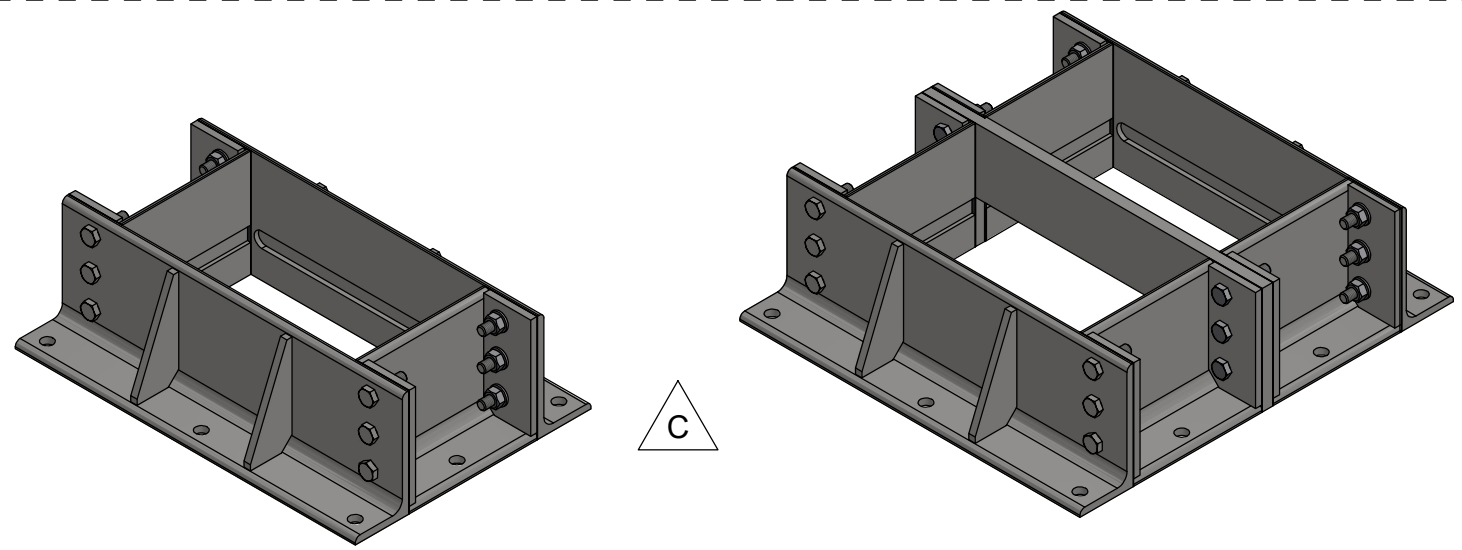
Rev 3.1

MATERIAL MILD STEEL
HOT DIPPED GALVANIZED ACC. TO ISO 1461
MATERIAL ACID PROOF STAINLESS STEEL



SIZE (Z)	H1 (mm)	H2 (mm)	G	F (mm)
2	101	201	1	171
4	159,5	259,5	2	114,8
6	218	318	2	144
8	278	378	2	174

COMB	W tot	A (pcs)	B (pcs)	C (pcs)	P	N
GKO Zx1	220,5	2	-	2	8	-
GKO Zx2	351	2	1	4	10	1
GKO Zx3	481,5	2	2	6	12	2
GKO Zx4	612	2	3	8	14	3
GKO Zx5	742,5	2	4	10	16	4
GKO Zx6	873	2	5	12	18	5
GKO Zx7	1003,5	2	6	14	20	6
GKO Zx8	1134	2	7	16	22	7
GKO Zx9	1264,5	2	8	18	24	8
GKO Zx10	1395	2	9	20	26	9



GKO SINGLE FRAME

GKO COMBINATION FRAME

3	C	GKO SHORTSIDE (INCL GASKETS)	S1037690	1.1
2	B	GKO MIDWALL (INC. FASTENERS)	S1037691	2
1	A	GKO LONGSIDE (INC. FASTENERS)	S1037689	2.2

ITEM	QTY	Designation	Specification	Weight
General tolerances used for manufacturing shown in document DOC-002180		Designed by/date se-mikast 2014-02-25	Latest save date	TotWeight N/A
Title GKO FRAME SINGLE/COMB.		Format A3	Scale 1 / 1	Sheet no 1 / 1
www.roxtec.com		Restricted due to Information drawing	Drawing number S1037688	Projection method C

C	LAYOUT CHANGED.	2024-03-22	se-jenboh
Rev	Type of revision	Date	Sign

Information drawings show general design and nominal dimensions if not else stated