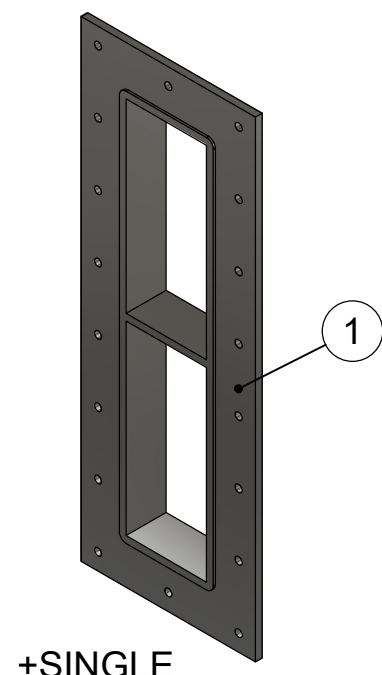
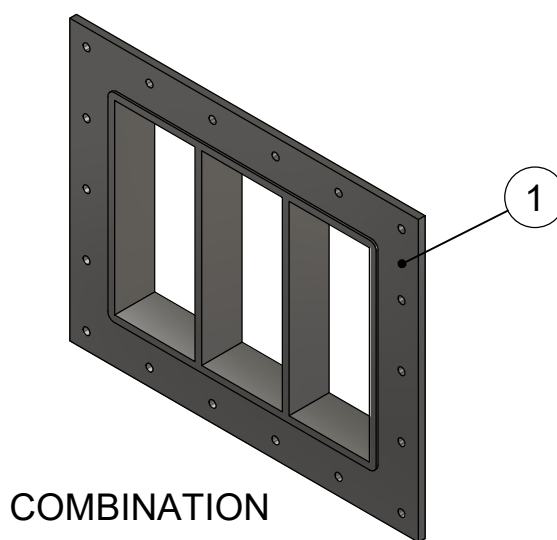
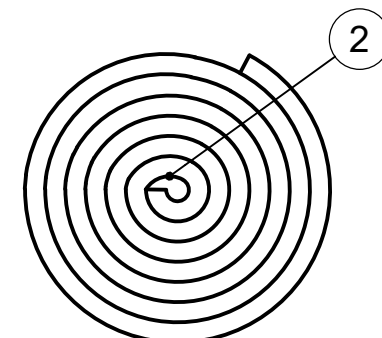


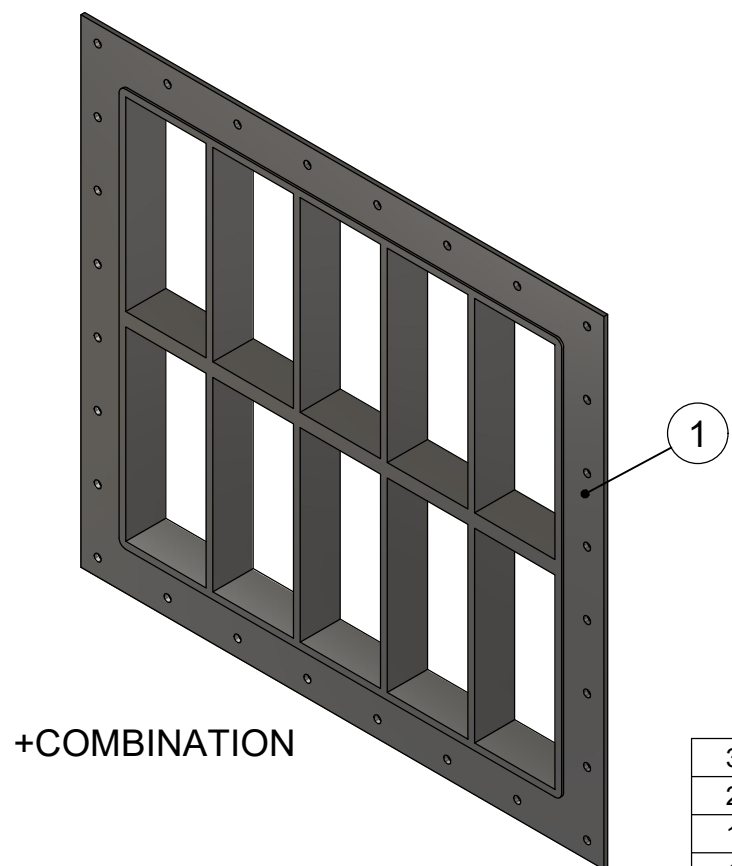
SINGLE



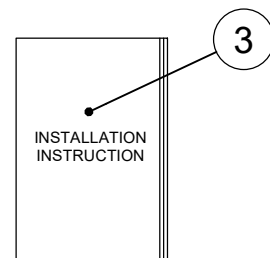
+SINGLE




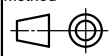
COMBINATION



+COMBINATION



ITEM	QTY	Designation	Specification	Weight
3	1	INSTALLATION INSTRUCTION		
2	-	TSL 15X6 EPDM	S1605232	
1	1	+COMBINATION FRAME	S1010395	
1	1	COMBINATION FRAME	S1010394	
1	1	+SINGLE FRAME	S1010392	
1	1	SINGLE FRAME	S1010394	

General tolerances used for manufacturing shown in document DOC-002180		Designed by/date se-luckri 2014-02-03	Latest save date 2024-09-20	Format A3	Scale	Sheet no 1 / 1	TotWeight
 www.roxtec.com		Title SFHM FRAME KIT SINGLE, COMB., +SINGLE AND +COMB. FRAME				Projection method 	
		Restricted due to Information drawing			Drawing number S1037367		Rev C

C	LAYOYT CHANGED	2024-09-20	se-marfre
Rev	Type of revision	Date	Sign