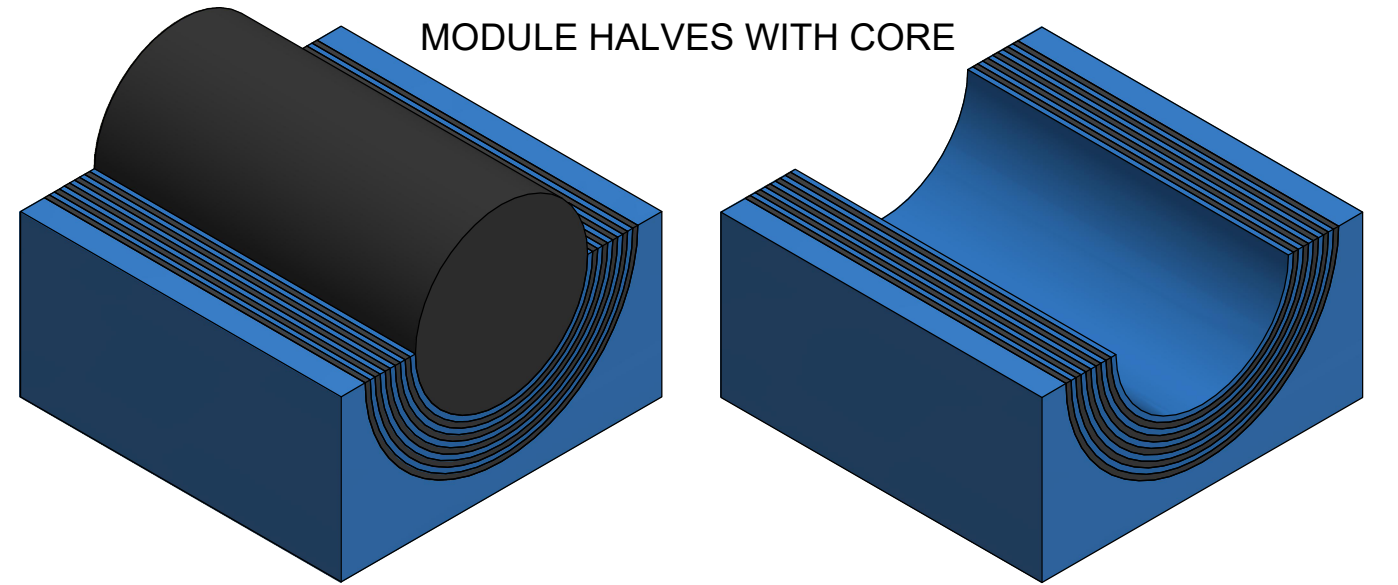
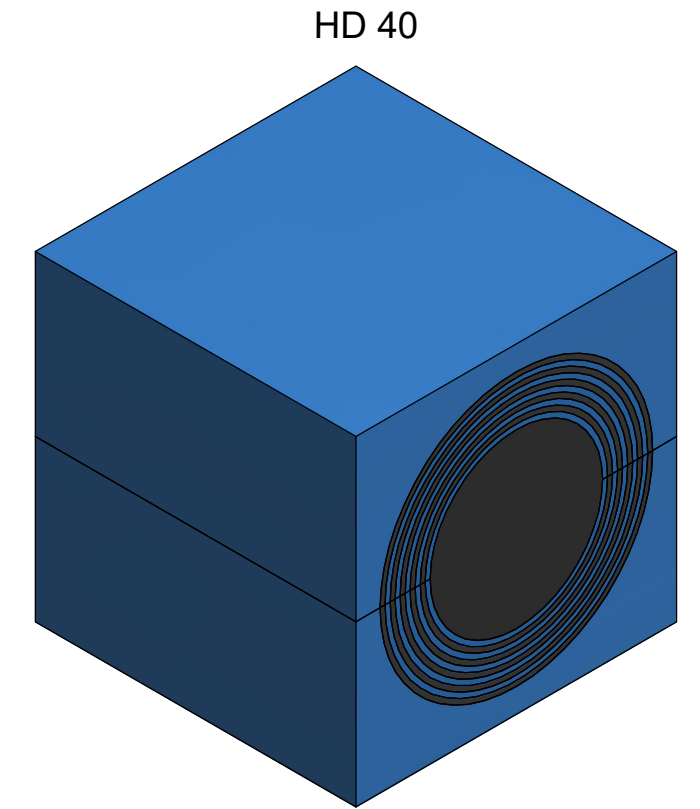
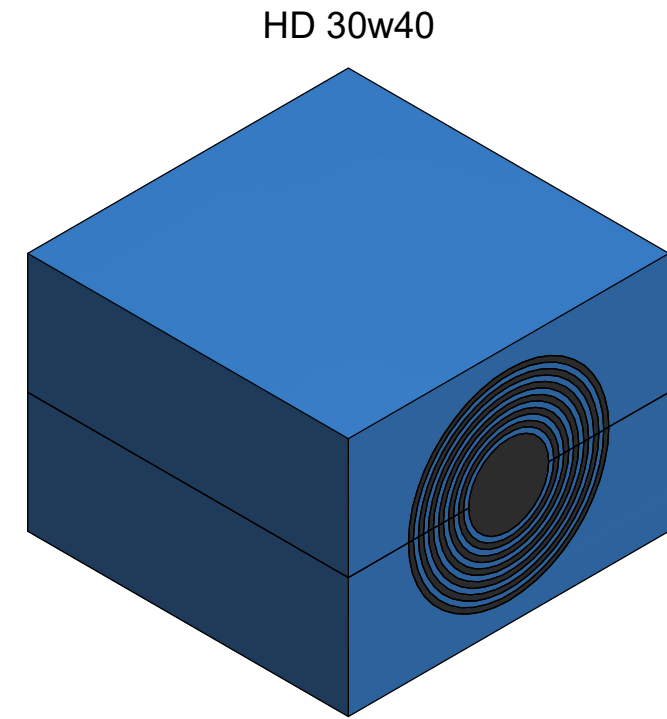
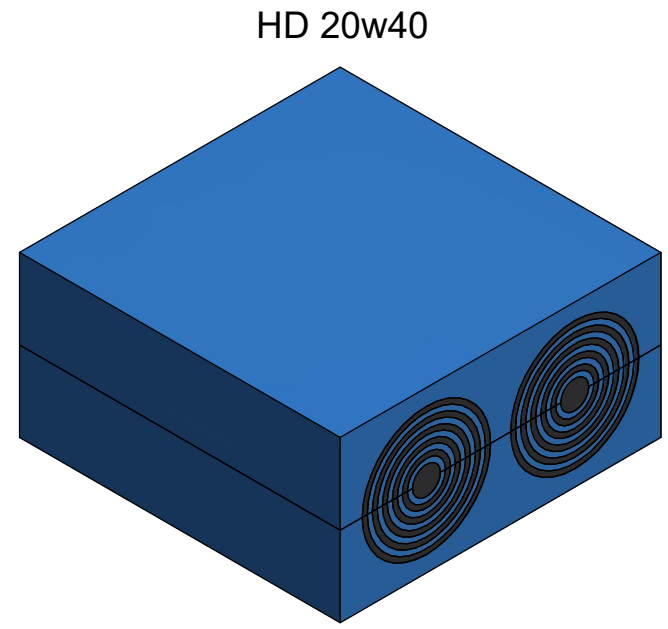
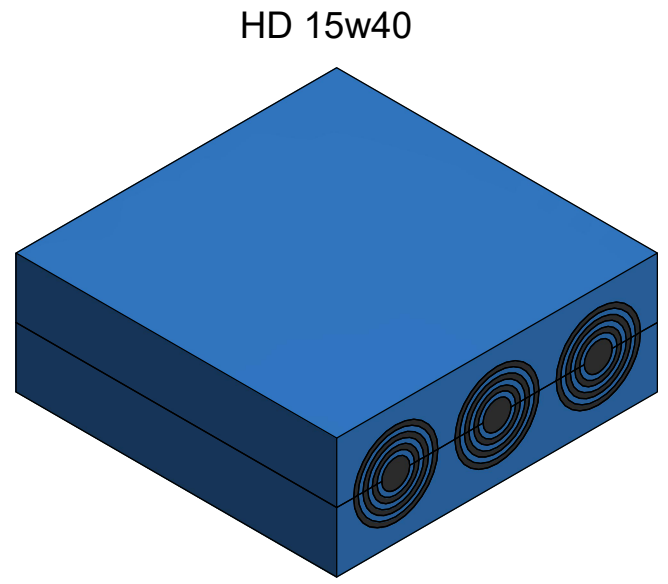
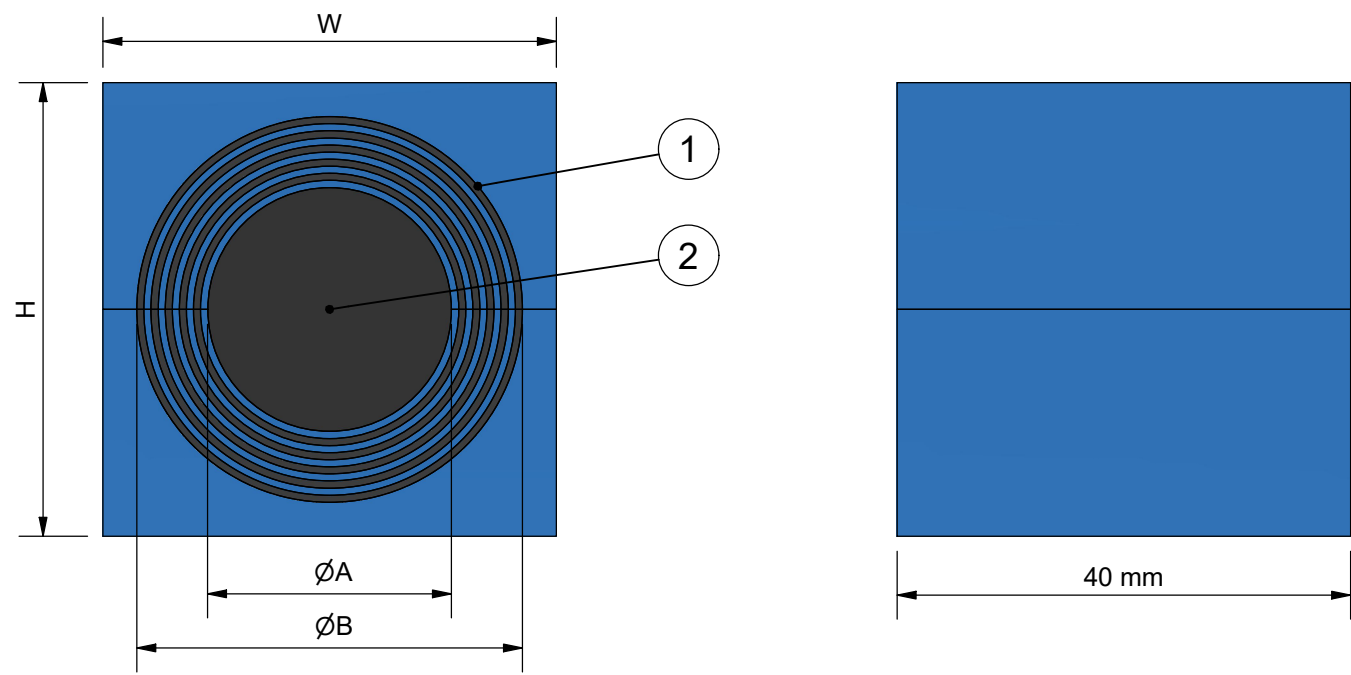


TYPE	CABLE/PIPE Ø (A-B) [mm]	H [mm]	W [mm]	C [QTY]
HD 15w40	3.5 - 9.5	15	40	3
HD 20w40	3.5 - 15.5	20	40	2
HD 30w40	10 - 24	30	40	1
HD 40	21.5 - 33.5	40	40	1
HD 40 10-32	9.5 - 31.5	40	40	1



2	C	CORE	ROXYLON					
1	2	RUBBER PROFILE	ROXYLON					
ITEM	QTY	Designation	Specification				Weight	
General tolerances used for manufacturing shown in document DOC-002180		Designed by/date tc_service 2014-01-29	Latest save date 2024-07-05	Format A3	Scale	Sheet no 1 / 1	TotWeight	
 www.roxtec.com		Title <b>HD MODULES ASSEMBLY</b>				Projection method 		
		Restricted due to Information drawing		Drawing number <b>S1037327</b>		Rev <b>C</b>		

C	LAYOUT CHANGED	2024-06-20	se-marfre
Rev	Type of revision	Date	Sign