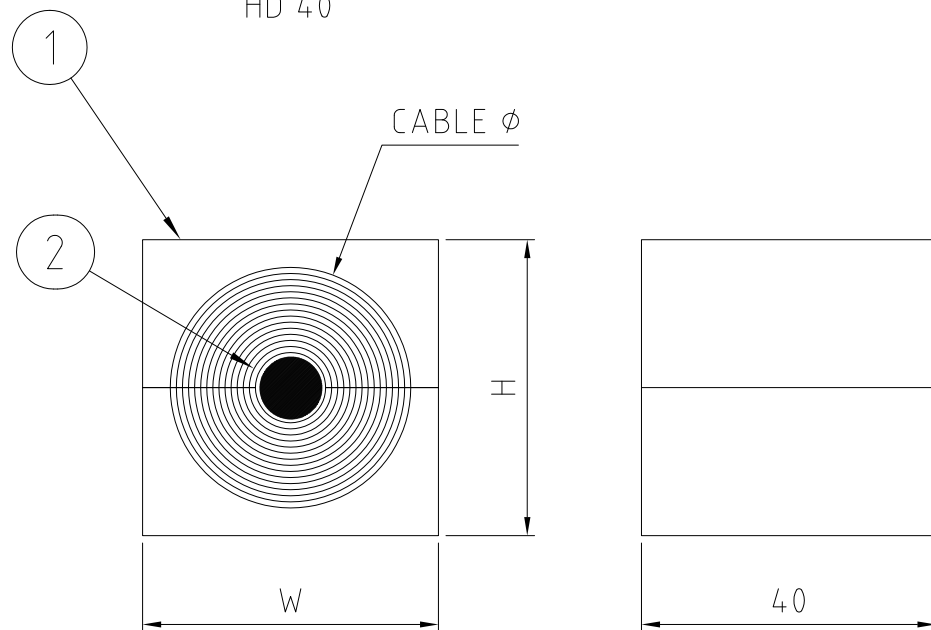


特克赛克保留所有权利。未经授权严禁复制，使用以及向第三方泄漏。

All rights reserved. Unauthorized reproduction, use or disclosure to third parties is strictly forbidden.

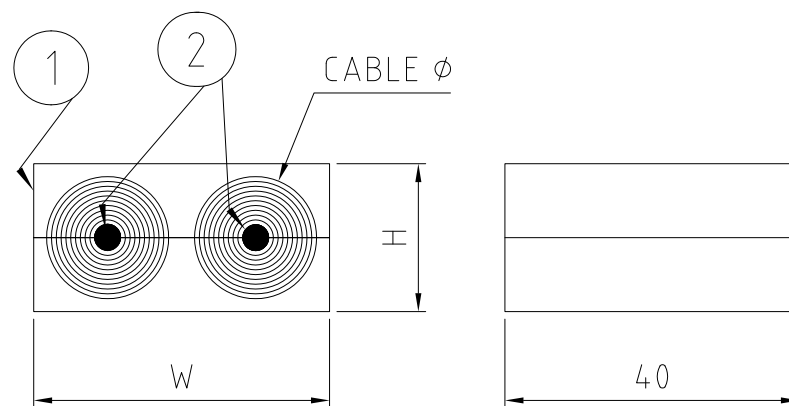
1 CABLE MODULE

HD 30w40  
HD 40 10-32  
HD 40



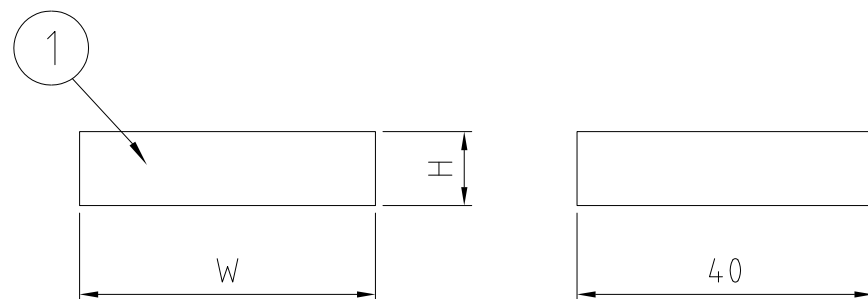
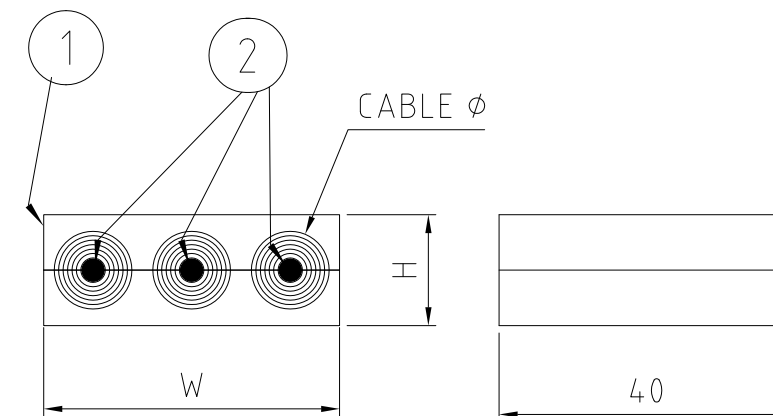
2 CABLES MODULE

HD 20w40



3 CABLES MODULE

HD 15w40



SOLID COMPENSATION MODULES

HD 5w40/0  
HD 10w40/0



TYPE	W (mm)	H (mm)	CABLE $\phi$ (mm)
HD 15w40	40	15	0+3.5 - 9.5
HD 20w40	40	20	0+3.5 - 15.5
HD 30w40	40	30	0+10.0 - 24.0
HD 40 10-32	40	40	0+9.5 - 31.5
HD 40	40	40	0+21.5 - 33.5
HD 5w40/0	40	5	-
HD 10w40/0	40	10	-

2	CORE	ROXYLON		
1	MODULE	ROXYLON		
Item	Qty	Designation	Specification	Net Weight
General tolerance		Designed by		Total Weight
ISO 2768-1/2-M/K		se-emikul		
Welded details		Created Date		Projection method
EN ISO 5817-B		2014-01-29		
General surface roughness, Ra		Approved by		Rev
12,5		se-jorake		
		Approved Date		Drawing number
		2014-10-03		
		Format		Information Drawing
		A3		
		Scale		S1037327
		1:1		
		Title		B
		HD MODULES ASSEMBLY		
		Restricted due to		

B	SOLIDS ADDED.	2014-10-03	se-jenboh
Rev	Type of revision	Date	Sign

