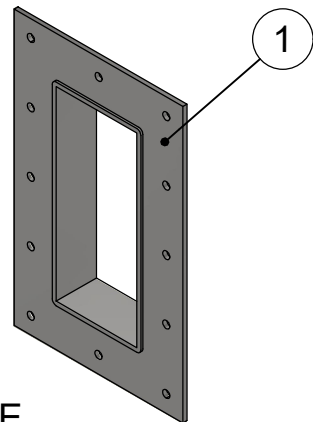
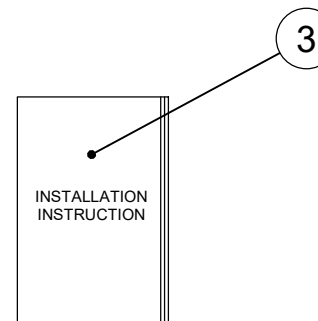
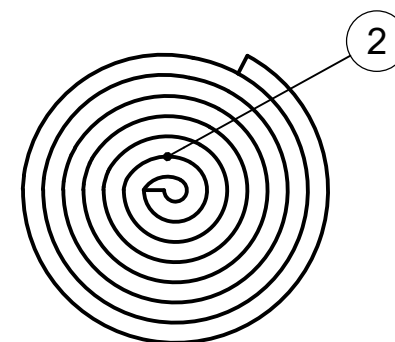
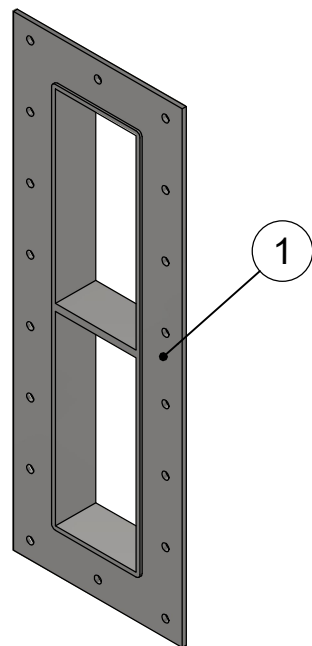


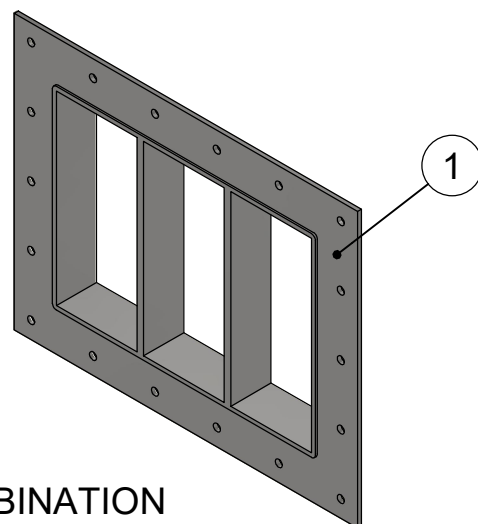
SINGLE



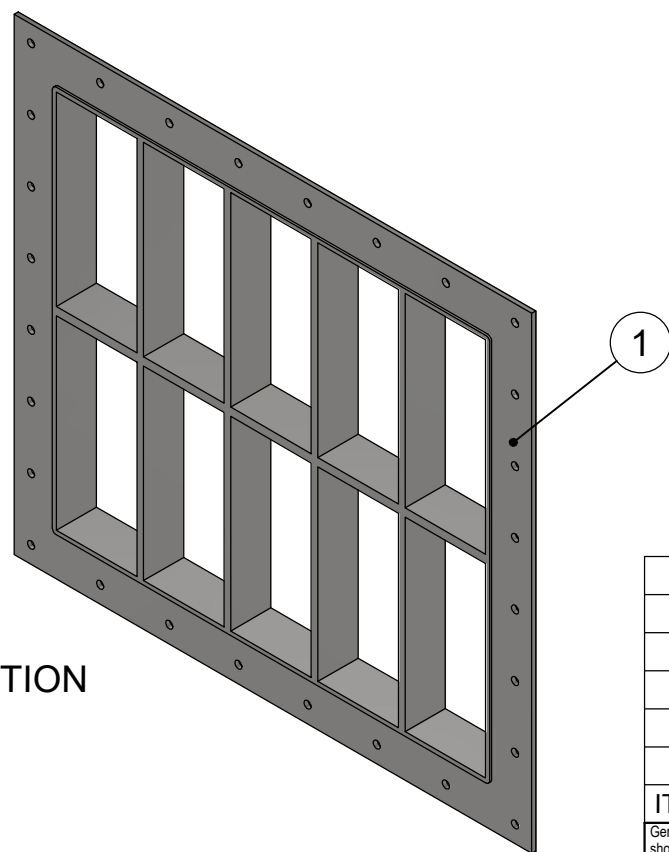
+SINGLE




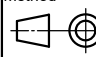
COMBINATION



+COMBINATION



ITEM	QTY	Designation	Specification	Weight
3	1	INSTALLATION INSTRUCTION		
2	-	TSL 15X6 EPDM	S1605232	
1	1	+COMBINATION FRAME	S1010390	
1	1	COMBINATION FRAME	S1010385	
1	1	+SINGLE FRAME	S1010387	
1	1	SINGLE FRAME	S1010385	

General tolerances used for manufacturing shown in document DOC-002180		Designed by/date se-luckri 2013-12-12	Latest save date 2024-08-26	Format A3	Scale	Sheet no 1 / 1	TotWeight
 www.roxtec.com		Title GHM FRAME INCL. TSL. 15x6 SINGLE, +SINGLE, COMB. AND +COMB. FRAME				Projection method 	
		Restricted due to Information drawing		Drawing number S1036758		Rev C	

C	LAYOUT CHANGED	2024-08-19	se-marfre
Rev	Type of revision	Date	Sign