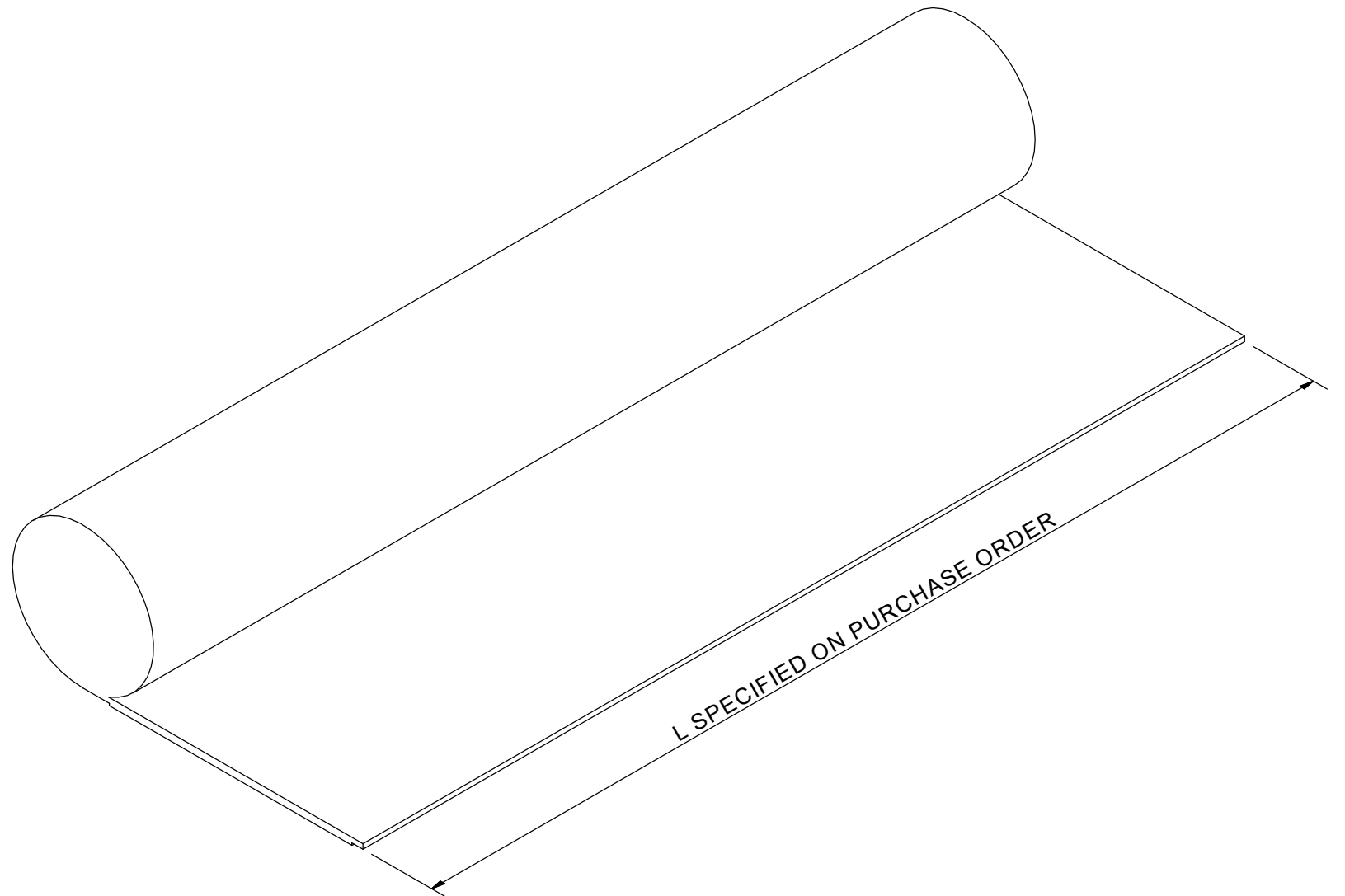
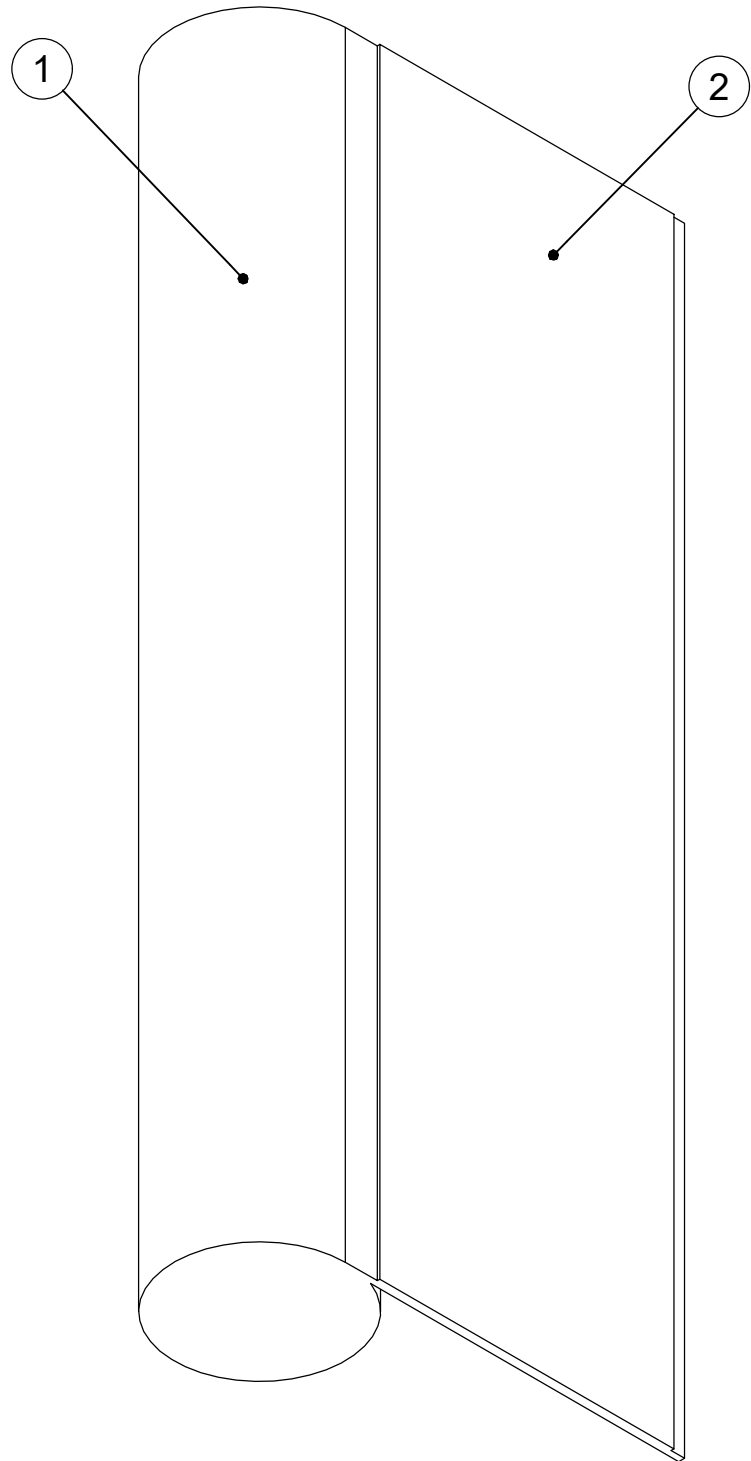
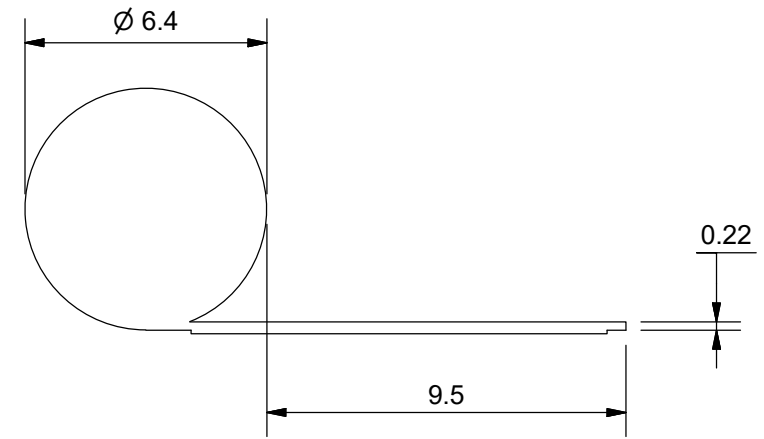
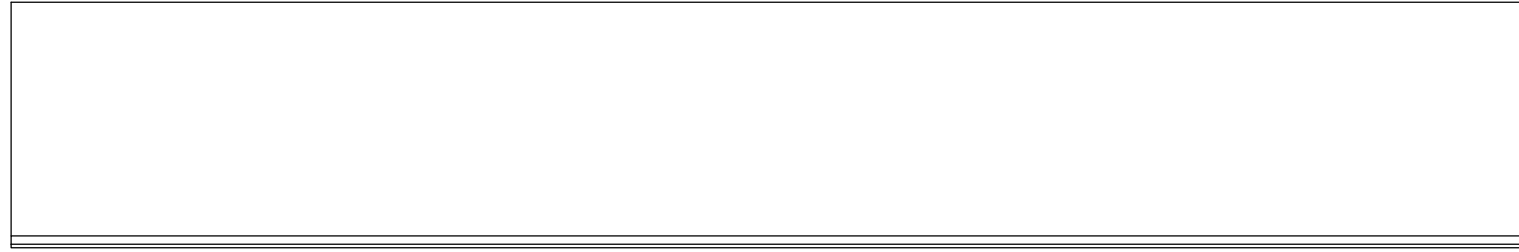

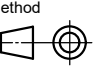


洛克赛克保留所有权利。未经授权严禁复制，使用以及向第三方泄漏。

All rights reserved. Unauthorized reproduction, use or disclosure to third parties is strictly forbidden.



C	INCH REMOVED	2019-10-16	se-mikgru
Rev	Type of revision	Date	Sign

2	1	DOUBLE ADHESIVE TAPE										
1	1	KNITTED WIRE MESH	STAINLESS STEEL								0	
ITEM	QTY	Designation			Specification				Weight			
General tolerance:		Welded details:		General surface		Designed by/date		Approved by/date		Format	Scale	TotWeight
ISO 2768-1/2-m/K		EN ISO 5817-B		Ra 12.5		se-jenboh 2013-11-06		se-milkar 2013-12-06		A3	1:-	
EN ISO 13920-BF		EN ISO 10042-B										
 www.roxtec.com		<b>CONDUCTIVE GASKET SELF ADHESIVE SOLID</b> <b>KNITTED WIRE MESH ROUND WITH FIN</b>								 Projection method		
		Restricted due to Information drawing				Drawing number <b>S1036216</b>				Rev <b>C</b>		