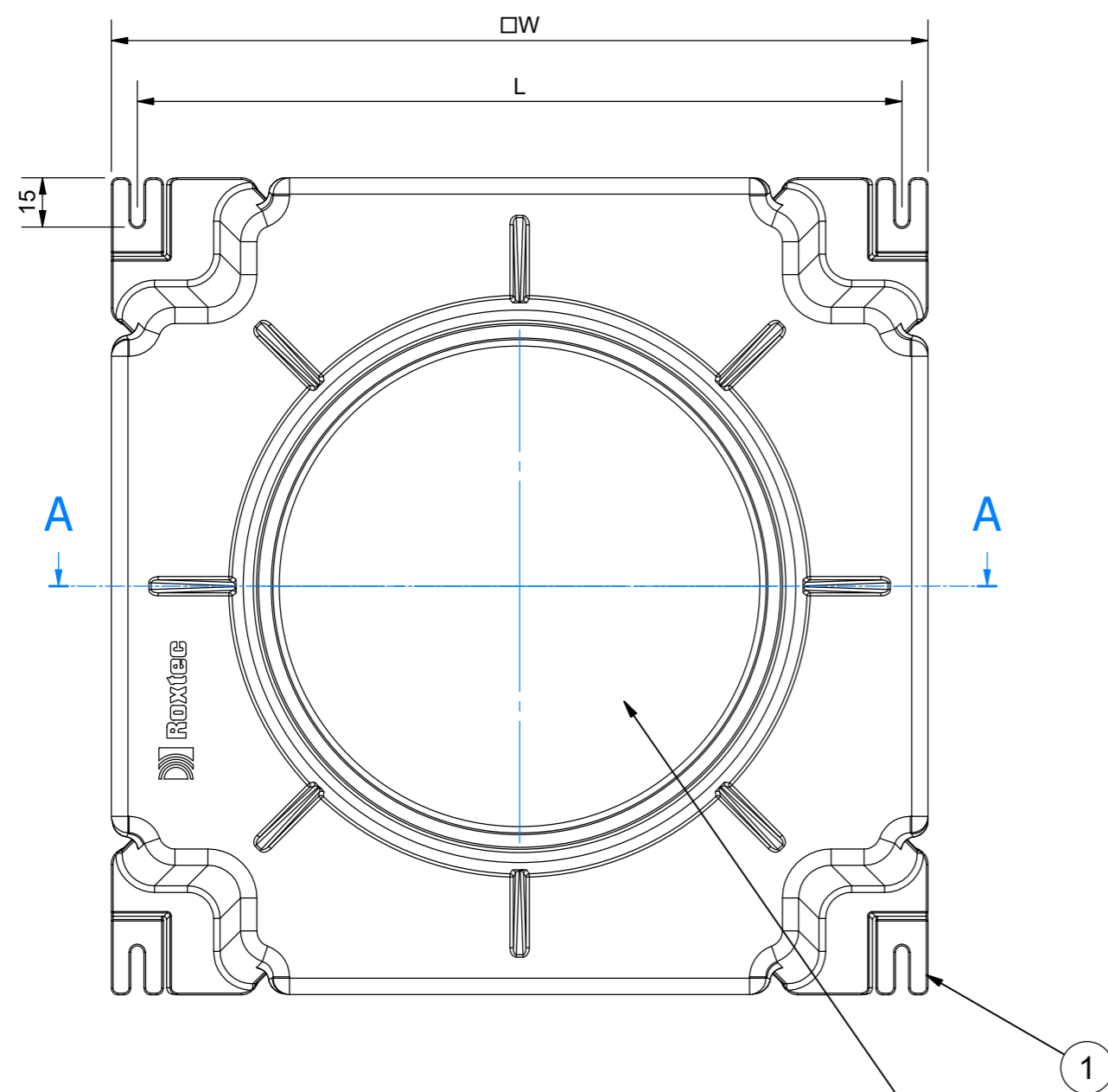
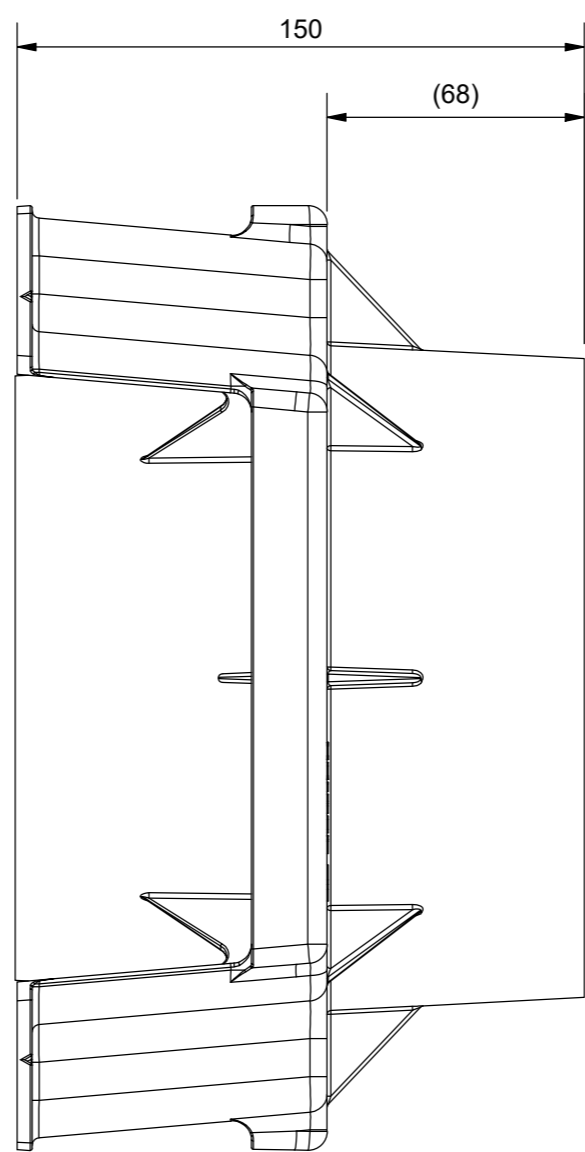


KNOCK OUT SLEEVES

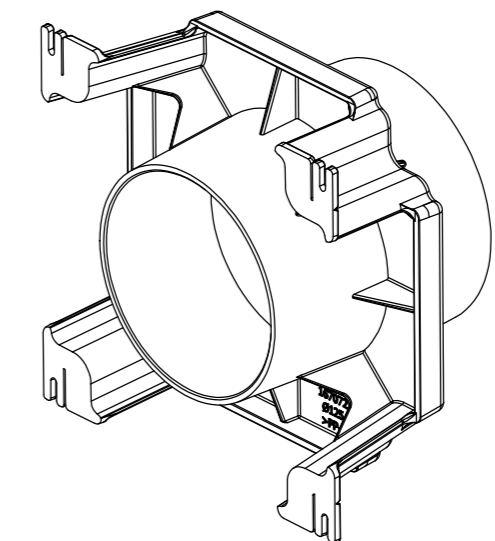
SIZE	W (mm)	ØA (mm)	ØB (mm)	L (mm)
KOS 125/140	225	127	141	209



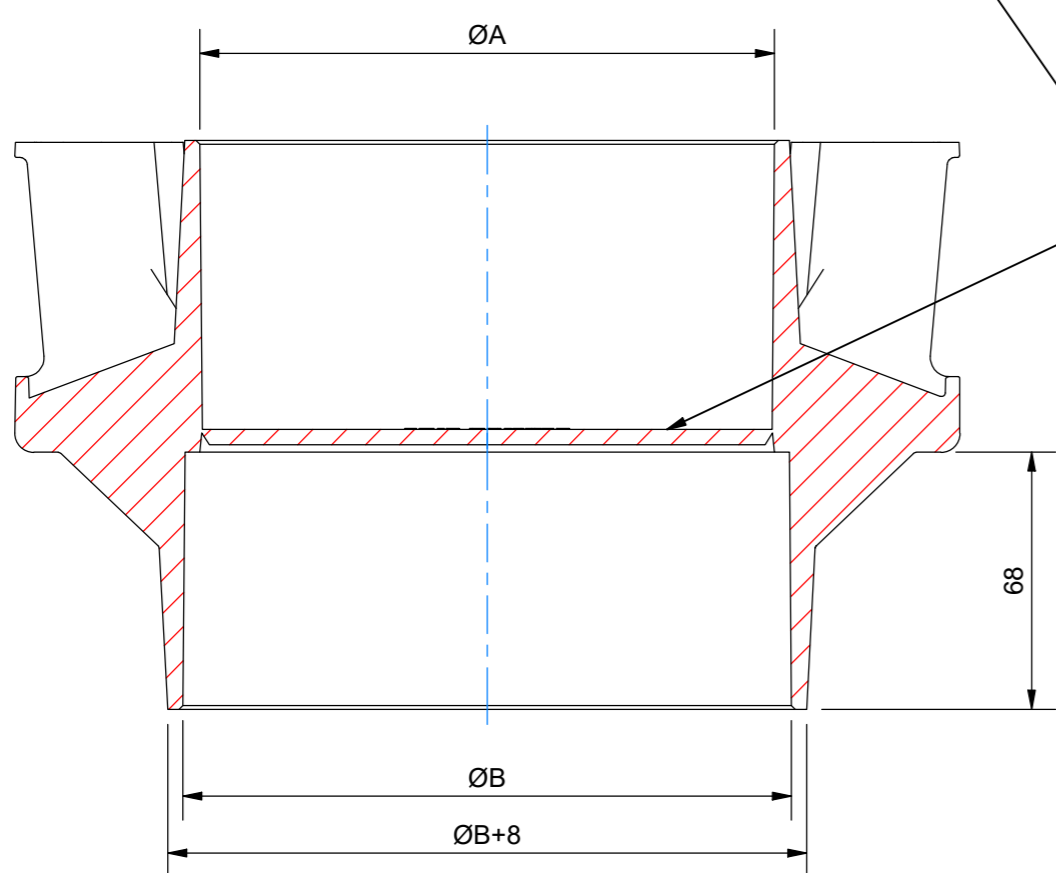
SEALING SIDE



BACKSIDE/
EXTENSION SIDE

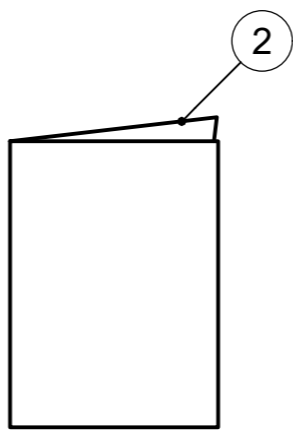


KOS 125/140



KNOCK OUT COVER

A-A (1:1)



2	1	INSTALLATION INSTRUCTION								
1	1	KNOCK-OUT SLEEVE	PP COPOLYMER							Weight
ITEM	QTY	Designation	Specification							
General tolerance: ISO 2768-1/2-m/K		Welded details: EN ISO 5817-B		Designed by/date: se-jenboh 2013-09-13		Approved by/date: se-henols 2014-12-18		Format: A2	Scale: 1:2	Total Weight
EN ISO 13320-BF		General surface roughness: Ra 12.5		Title: KNOCK OUT SLEEVE KOS 125/140		Restricted due to: Information drawing		Drawing number: S1035443	Rev: G	Projection method: 1st angle
www.roxtec.com		Roxtec								

G	SIZES 100, 150 AND 200 REVOKED.	2021-11-08	se-jenboh
Rev	Type of revision	Date	Sign

All rights reserved. Unauthorized reproduction, use or disclosure to third parties is strictly forbidden.

Roxtec 保留所有权利。未经授权严禁复制、使用以及向第三方泄露。