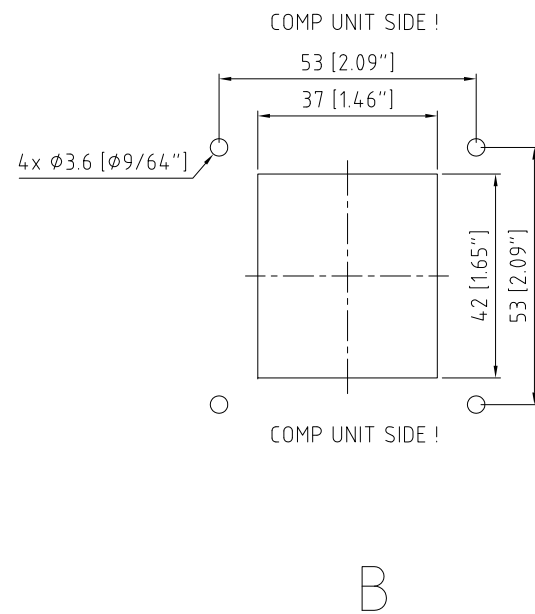
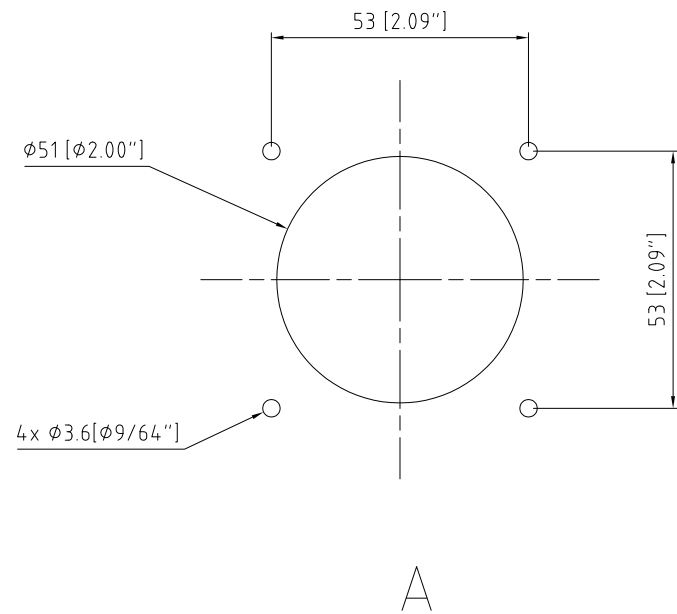


EZENTRY KITS APERTURE DIMENSIONS

| | |
|------------------|---|
| EzEntry 4 MINI/4 | A |
| EzEntry 4 MINI/9 | A |
| EzEntry 4/4 | A |
| EzEntry 4/9 | B |



Drill bit size when using nuts

| | | |
|--------|--------|-------|
| 4 mini | 4.5 mm | 3/16" |
| 4 | 4.5 mm | 3/16" |

Rem.
The dimensions for holes are recommended drill bit size

We reserve all rights in this document and in the information contained herein. Any disclosure to third parties without express authority is strictly forbidden. ©ROXTEC INTERNATIONAL AB

| | | | |
|-----|------------------|------|------|
| A | | | |
| Rev | Type of revision | Date | Sign |

| Item | Qty | Designation | Specification | NetWeight |
|--|--------------------------|---------------------|---|---------------------------|
| ROXTEC INTERNATIONAL AB BOX 540 S-371 23 Karlskrona TEL: +46 455 366700 FAX: +46 455 82012 | Designed by se-henols | Date 2013-08-12 | General tolerance EN ISO 7184-12-m/K EN ISO 1928-BF Welded detail EN ISO 10117-B EN ISO 10042-B General surface roughness: Ra 12,5 | TotWeight |
| | Checked by | Format A2 | Title APERTURE DIMENSIONS | Projection method ⊕ |
| | Approved by se-jorake | Scale 1:1 | Drawing number S1034803 | Rev A |
| | | Information Drawing | | |