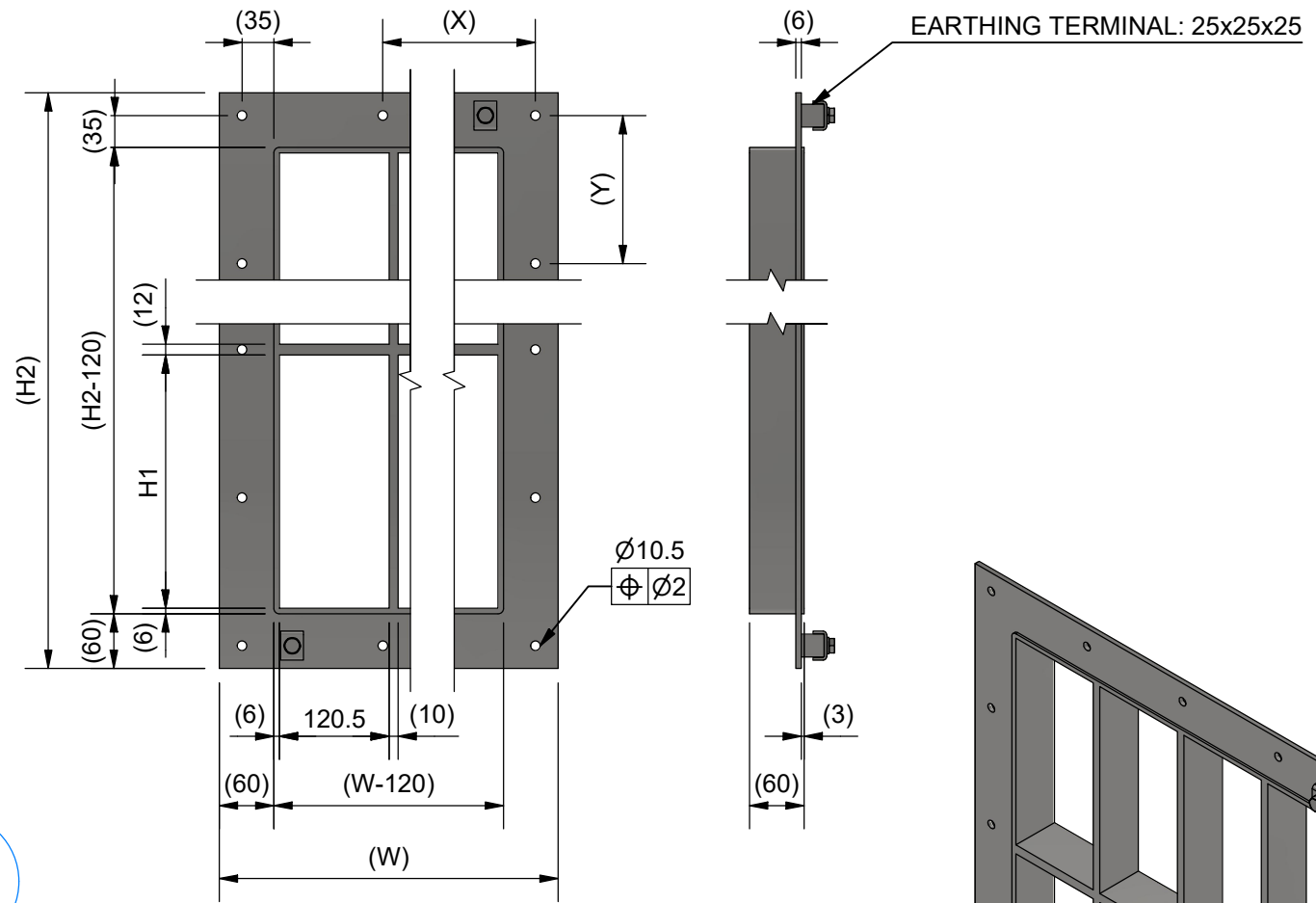


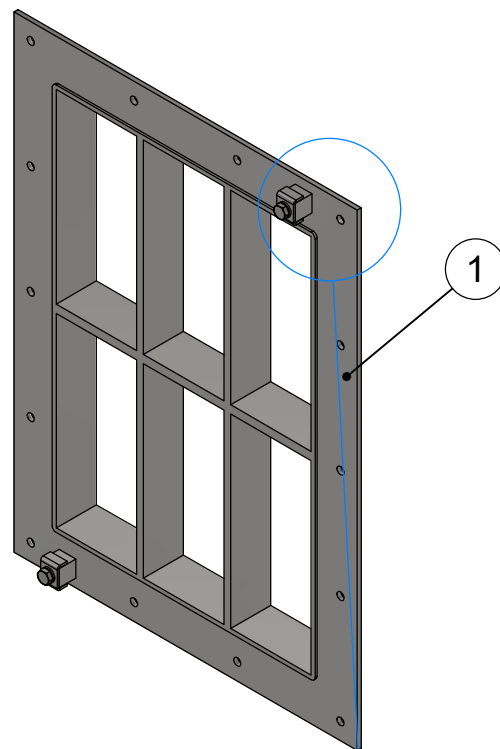
TYPE	ROWS [QTY]	H1 [mm]	H2 [mm]	Y [mm]	VERTICAL HOLES [QTY]
GH BG 2+2xN	2	101	346	148	3
GH BG 4+4xN	2	159.5	463	137.7	4
GH BG 6+6xN	2	218	580	176.7	4
GH BG 8+8xN	2	278	700	162.5	5
GH BG 2+2+2xN	3	101	459	136.3	4
GH BG 4+4+4xN	3	159.5	634.5	146.2	5
GH BG 6+6+6xN	3	218	810	152	6
GH BG 8+8+8xN	3	278	990	156.7	7
GH BG 2+2+2+2xN	4	101	572	174	4
GH BG 4+4+4+4xN	4	159.5	806	151.2	6
GH BG 6+6+6+6xN	4	218	1040	165	7
GH BG 8+8+8+8xN	4	278	1280	153.7	9

N [QTY]	W [mm]	X [mm]	HORIZONTAL HOLES [QTY]
x2	383	166.5	3
x3	513.5	154.5	4
x4	644	148.5	5
x5	774.5	181.1	5
x6	905	171	6
x7	1035.5	164.2	7
x8	1166	159.4	8
x9	1296.5	155.8	9
x10	1427	153	10

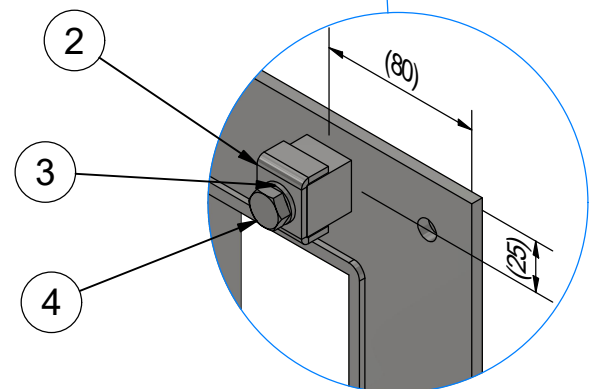
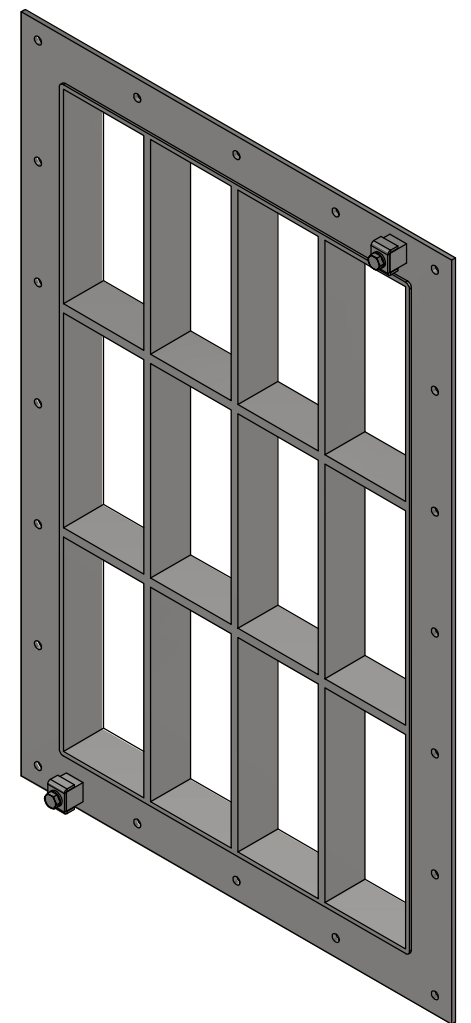
N: FRAME OPENINGS/ROW



GH BG 8+8x3
N=3



GH BG 8+8+8x4
N=4



4	2	SCREW	ISO M10x20					
3	2	RETAINER WASHER	M10					
2	2	SADDLE WASHER	M10					
1	1	GH BG FRAME						
ITEM	QTY	Designation	Specification	Weight				
General tolerances used for manufacturing shown in document DOC-002180		Designed by/date se-jenboh 2012-11-06	Latest save date 2024-09-06	Format A3	Scale	Sheet no 1 / 1	TotWeight	
		Title GH BG FRAME +COMBINATION		Projection method 		Rev E		
www.roxtec.com		Information drawing		Drawing number S1029977				

E	LAYOUT CHANGED	2024-08-30	se-marfre
Rev	Type of revision	Date	Sign