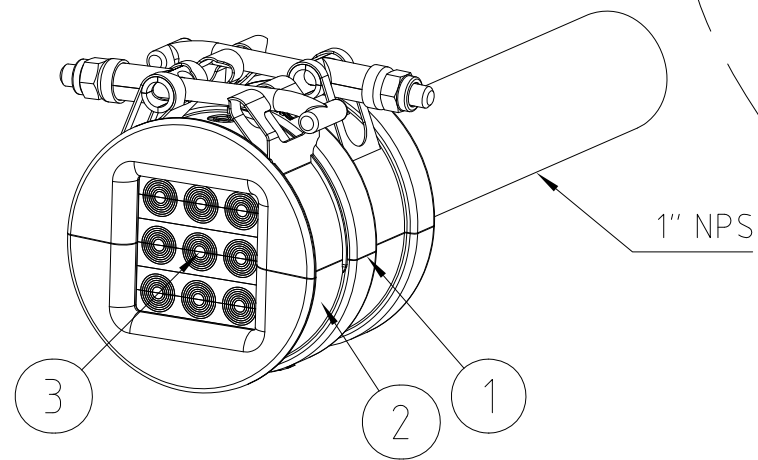


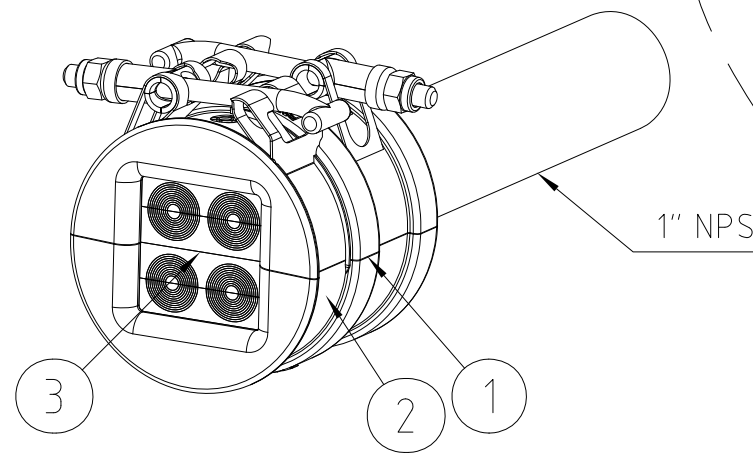
洛克赛克保留所有权利。未经授权严禁复制，使用以及向第三方泄漏。

All rights reserved. Unauthorized reproduction, use or disclosure to third parties is strictly forbidden.

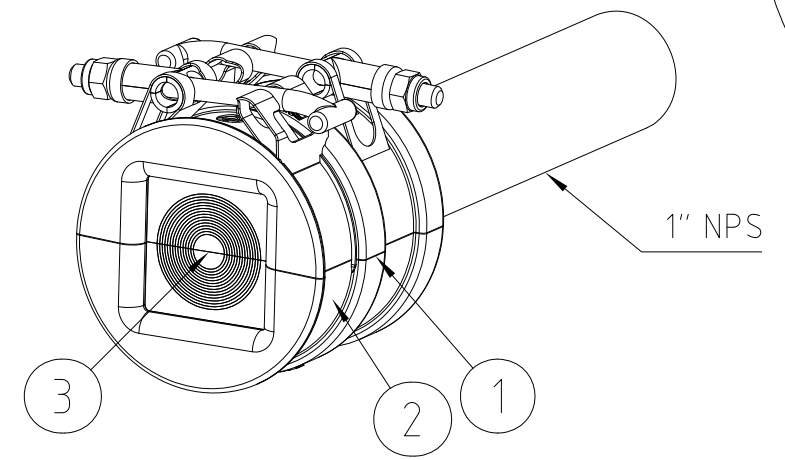
CONDUIT SEAL 1" / 9			
Item	Qty	Designation	Specification
3	3	MODULE	GM 13,3w40
2	2	CS POWER CLAMP	STAINLESS STEEL
1	1	CONDUIT SEAL RUBBER BOOT	1" EPDM



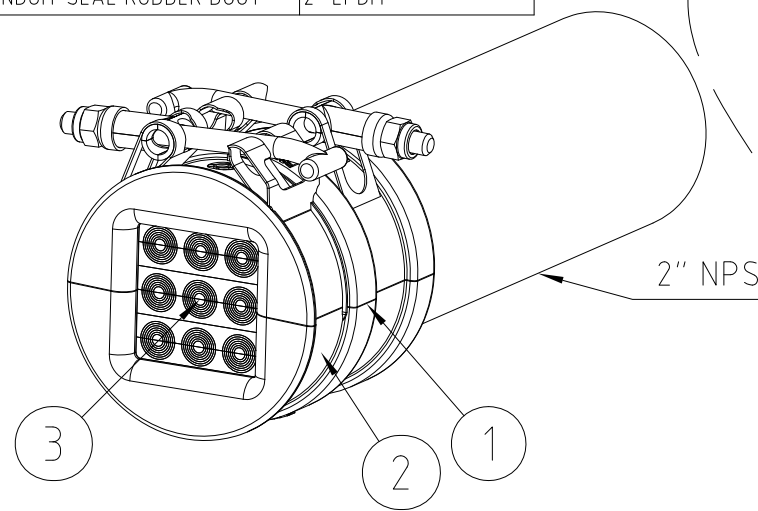
CONDUIT SEAL 1" / 4			
Item	Qty	Designation	Specification
3	2	MODULE	GM 20w40
2	2	CS POWER CLAMP	STAINLESS STEEL
1	1	CONDUIT SEAL RUBBER BOOT	1" EPDM



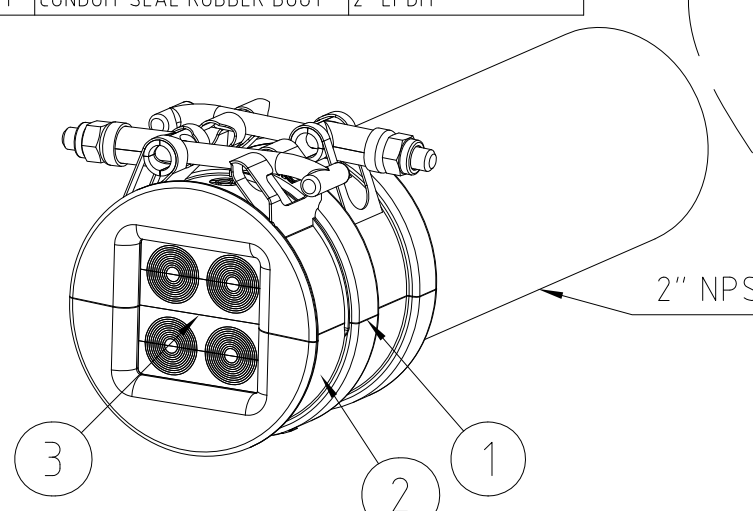
CONDUIT SEAL 1" / 1			
Item	Qty	Designation	Specification
3	1	MODULE	GM 40 (10-32)
2	2	CS POWER CLAMP	STAINLESS STEEL
1	1	CONDUIT SEAL RUBBER BOOT	1" EPDM



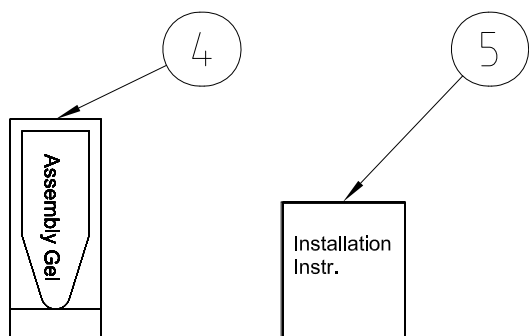
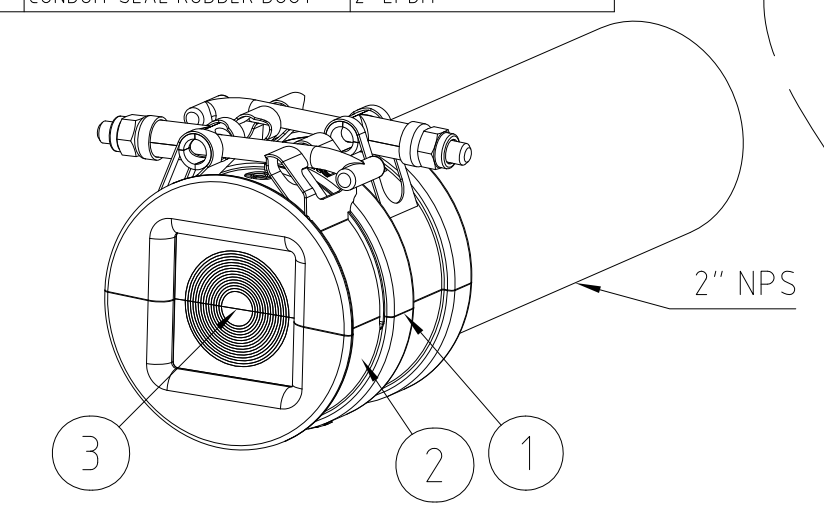
CONDUIT SEAL 2" / 9			
Item	Qty	Designation	Specification
3	3	MODULE	GM 13,3w40
2	2	CS POWER CLAMP	STAINLESS STEEL
1	1	CONDUIT SEAL RUBBER BOOT	2" EPDM



CONDUIT SEAL 2" / 4			
Item	Qty	Designation	Specification
3	2	MODULE	GM 20w40
2	2	CS POWER CLAMP	STAINLESS STEEL
1	1	CONDUIT SEAL RUBBER BOOT	2" EPDM



CONDUIT SEAL 2" / 1			
Item	Qty	Designation	Specification
3	1	MODULE	GM 40 (10-32)
2	2	CS POWER CLAMP	STAINLESS STEEL
1	1	CONDUIT SEAL RUBBER BOOT	2" EPDM



5	1	INSTALLATION INSTRUCTION		
4	1	ASSEMBLY GEL	10ML	
3		MODULE	SEE TABLE	
2	2	CS POWER CLAMP	SEE TABLE	
1	1	CONDUIT SEAL RUBBER BOOT	SEE TABLE	

Item	Qty	Designation	Specification	Net Weight
ROXTEC INTERNATIONAL AB		Designed by	Created Date	General tolerance
BOX 540 S-371 23 Karlskrona		se-jorlan	2012-09-19	ISO 2768-1/2-m/K
TEL: +46 455 366700 FAX: +46 455 82012		Approved by	Approved Date	Welded details
		se-jorlan	2013-02-18	EN ISO 5817-B
		Format	Scale	General surface roughness, Ra
		A3	1:2	12,5
		Restricted due to		Projection method
		Information Drawing		⊕
		Drawing number		Rev
		S1029123		C

Rev	Type of revision	Date	Sign
C	POSITION FOR CLAMP ADDED	2013-02-18	se-henols

