

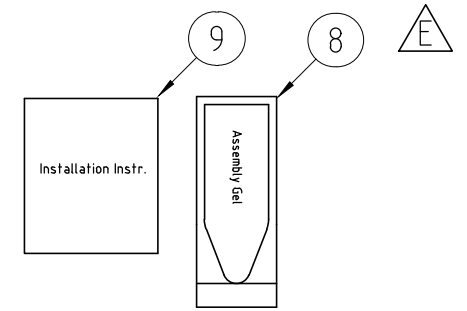
COMSEAL ES/PE PORTFOLIO

MATERIAL ALUMINIUM
SURFACE TREATMENT NICKEL PLATED

	W1	W2	H1	H2
COMSEAL 10 ES/PE	40	80.5	100	173
COMSEAL 12 ES/PE	40	88	120	216
COMSEAL 15 ES/PE	50	90.5	150	223
COMSEAL 16 ES/PE	40	80.5	160	233
COMSEAL 30 ES/PE	50	155	150	231
COMSEAL 32 ES/PE	40	135	160	241

NOTE:

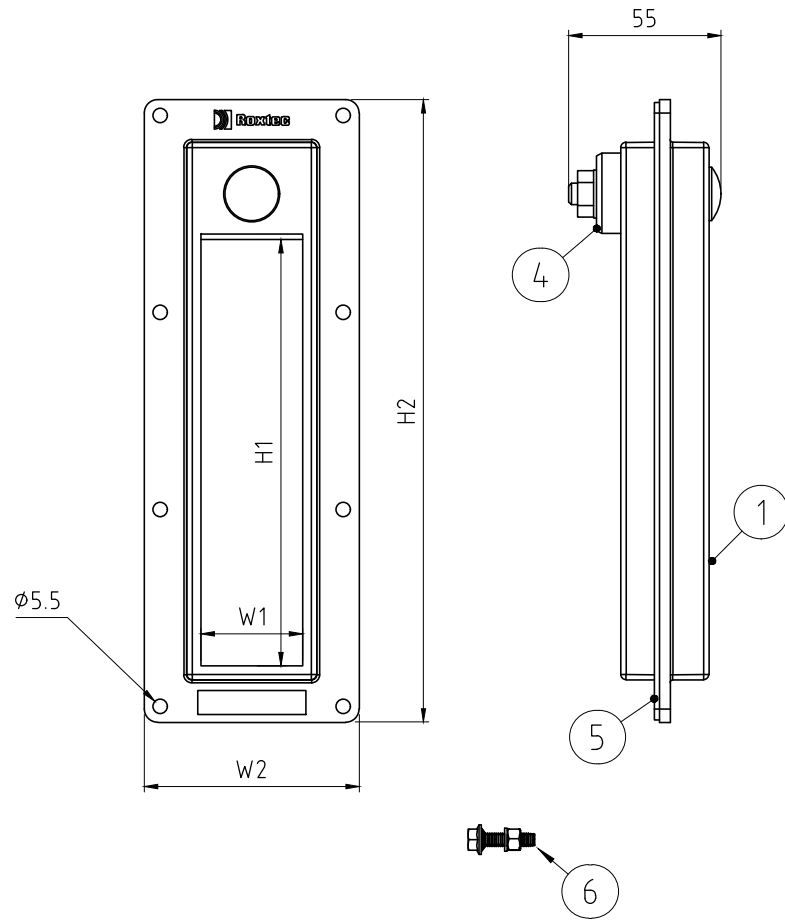
FRAMES AND MODULES ARE AVAILABLE IN ES AND PE VERSION:
ES = ELECTROMAGNETIC SHIELDING (WHITE STRIPES)
PE = POTENTIAL EQUILAZATION (BLACK STRIPES)



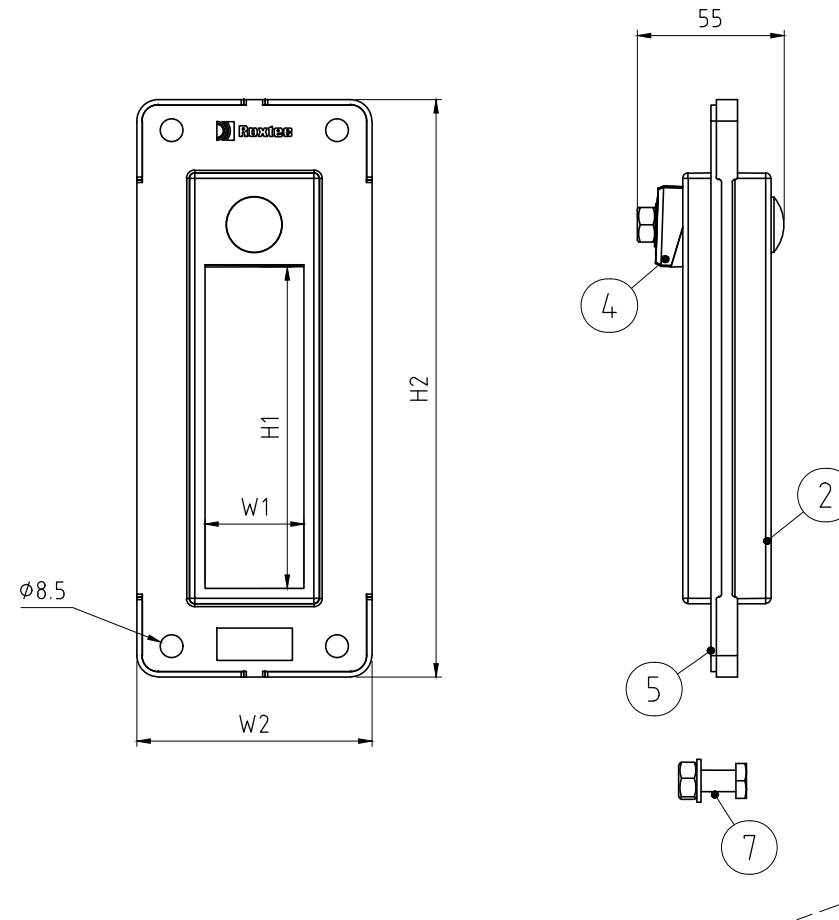
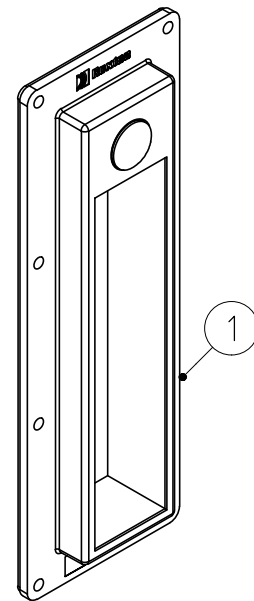
All rights reserved. Unauthorized reproduction, use or disclosure to third parties is strictly forbidden.

All rights reserved. Unauthorized reproduction, use or disclosure to third parties is strictly forbidden.

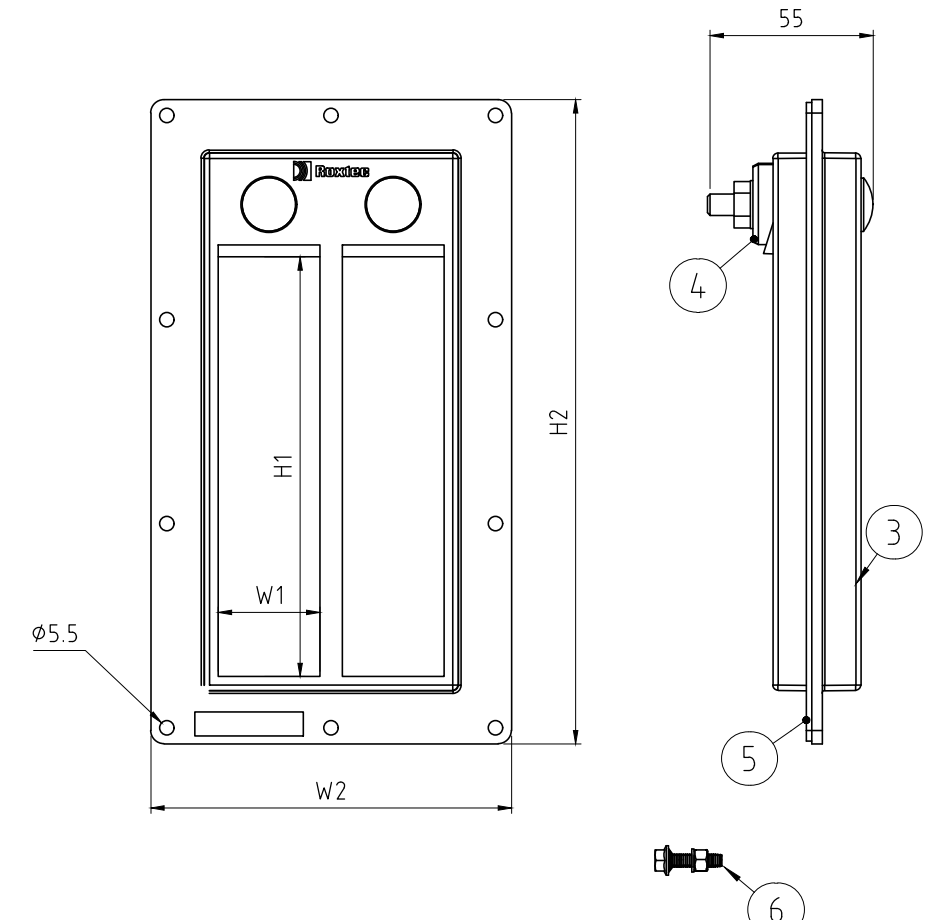
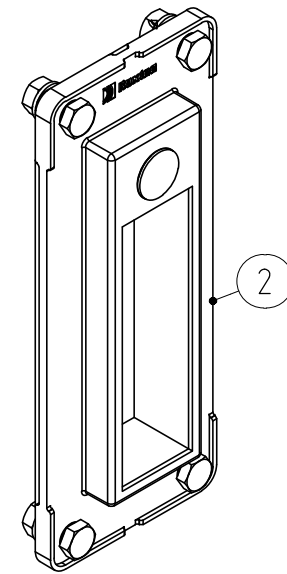
Rev 2.0



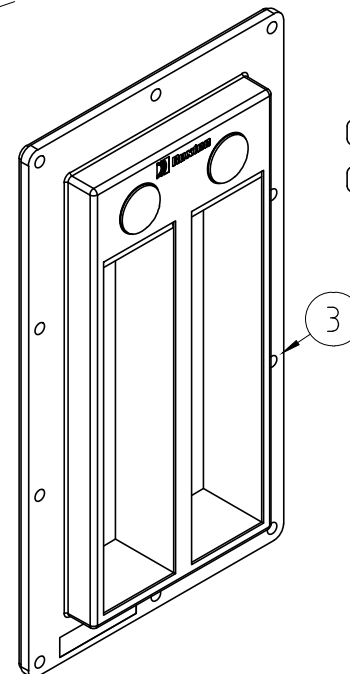
COMSEAL 10 ES/PE
COMSEAL 15 ES/PE
COMSEAL 16 ES/PE



COMSEAL 12 ES/PE



COMSEAL 30 ES/PE
COMSEAL 32 ES/PE



Item	Qty	Designation	Specification	Net Weight
9	-	INSTALLATION INSTRUCTION		
8	-	ASSEMBLY GEL	10 ML	
7	-	SCREW/WASHER/NUT	M8x20 STAINLESS	
6	-	SCREW/WASHER/NUT	M5x20 STAINLESS	
5	-	CONDUCTIVE GASKET		
4	-	COMPRESSION UNIT		
3	-	COMSEAL ES/PE FRAMES	SIZES 30 & 32	
2	-	COMSEAL ES/PE FRAME	SIZE 12	
1	-	COMSEAL ES/PE FRAMES	SIZES 10, 15 & 16	

Rev	Type of revision	Date	Sign
E	POS. BALLOON 8 & 9 ADDED	2021-01-07	se-mikgru

General tolerances used for manufacturing shown in document DDC-002/00		Designed by	Created Date	Latest save date	Format	Scale	Sheet no	Net Weight
		se-jenboh	2012-03-06	2021-11-29	A2	1:2		-
 www.roxtec.com		Title COMSEAL ES/PE PORTFOLIO FRAME ASSEMBLY		Restricted due to Information drawing		Drawing number S1026761		Projection method Rev E