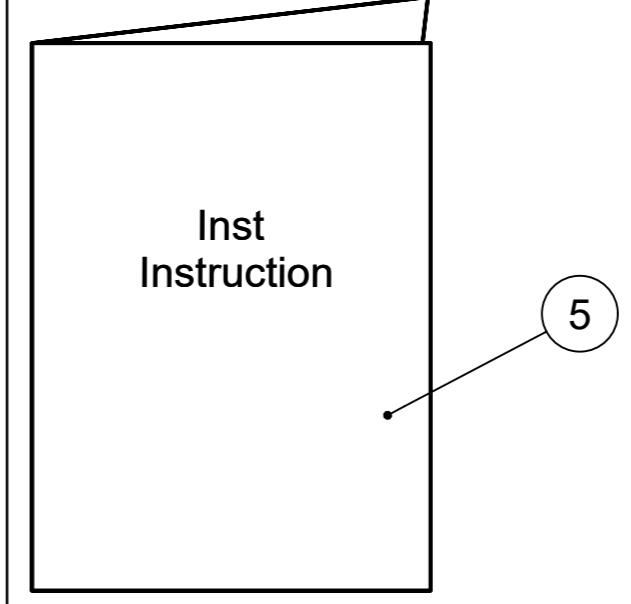
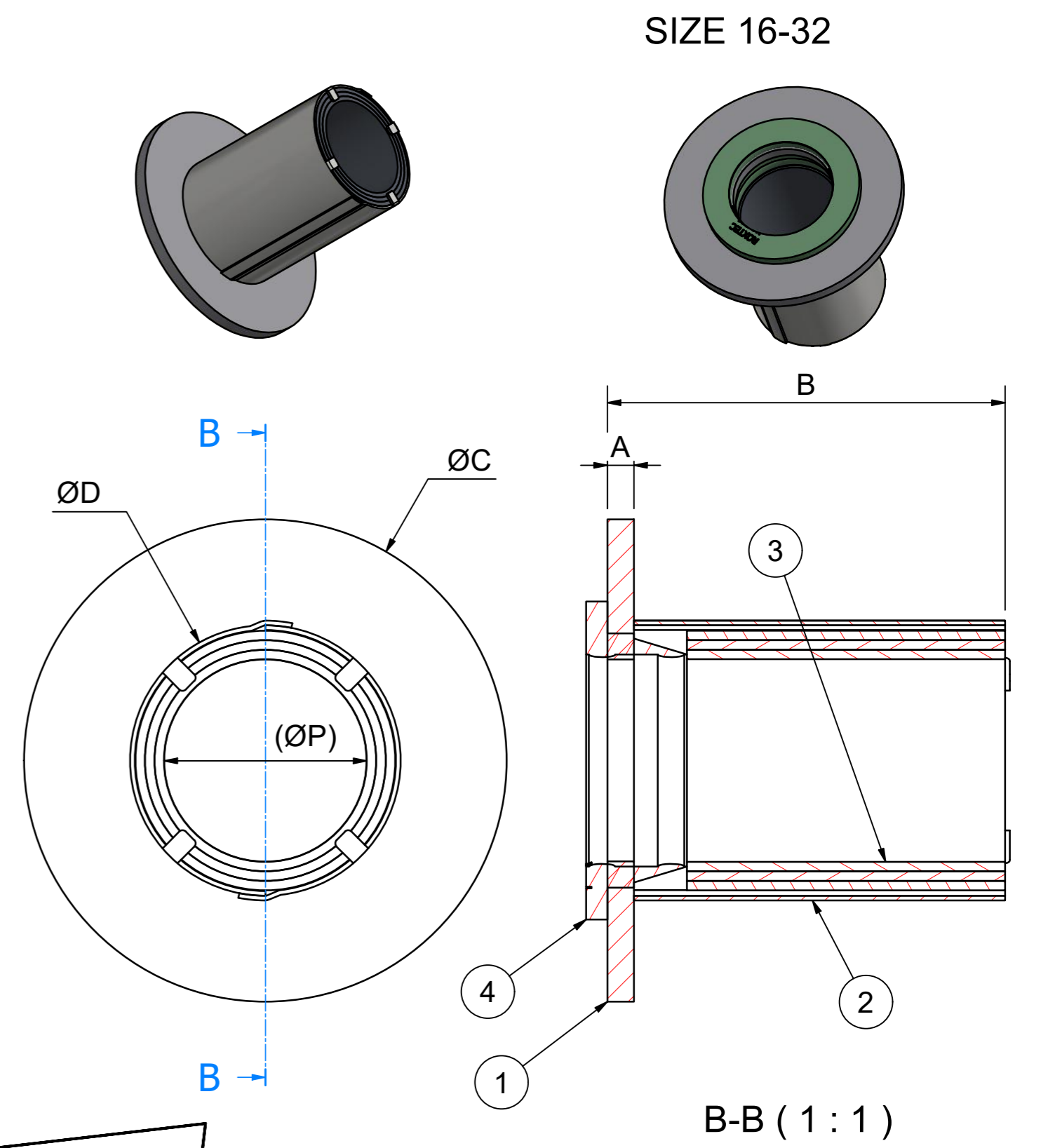
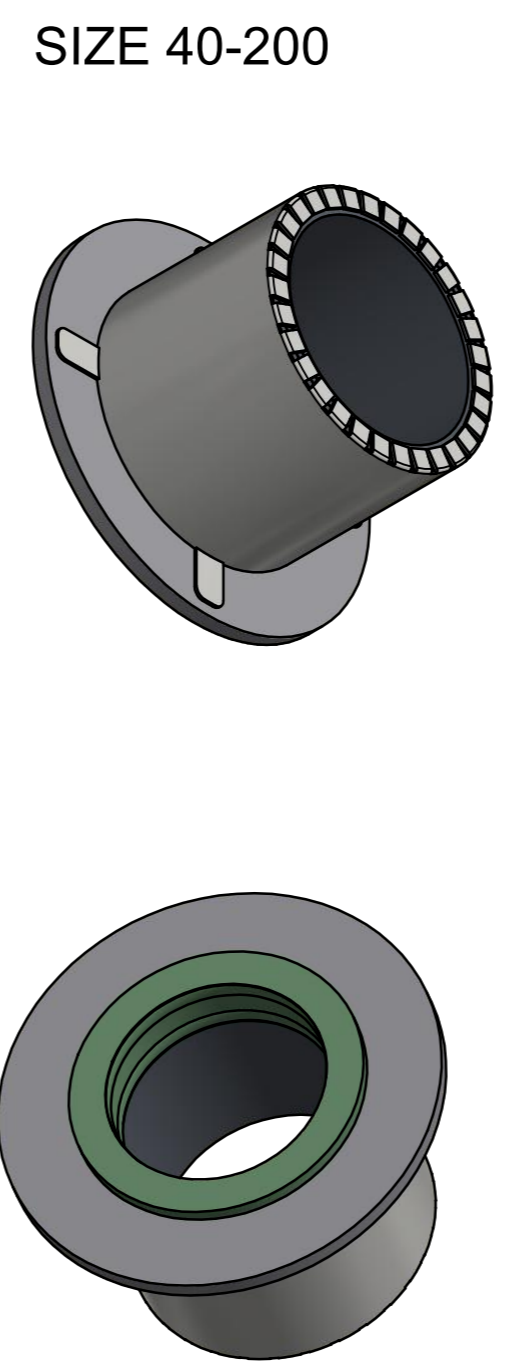
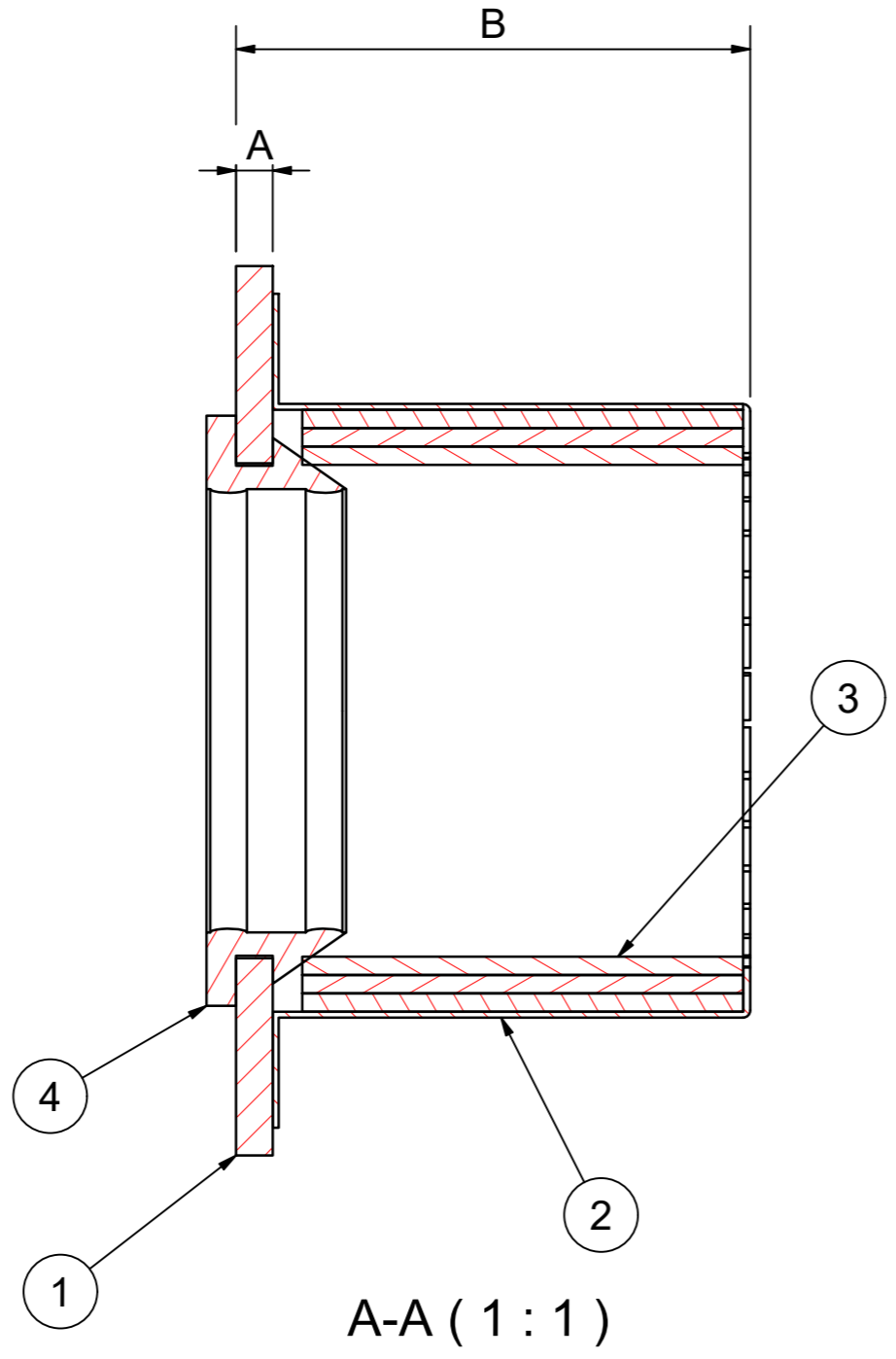
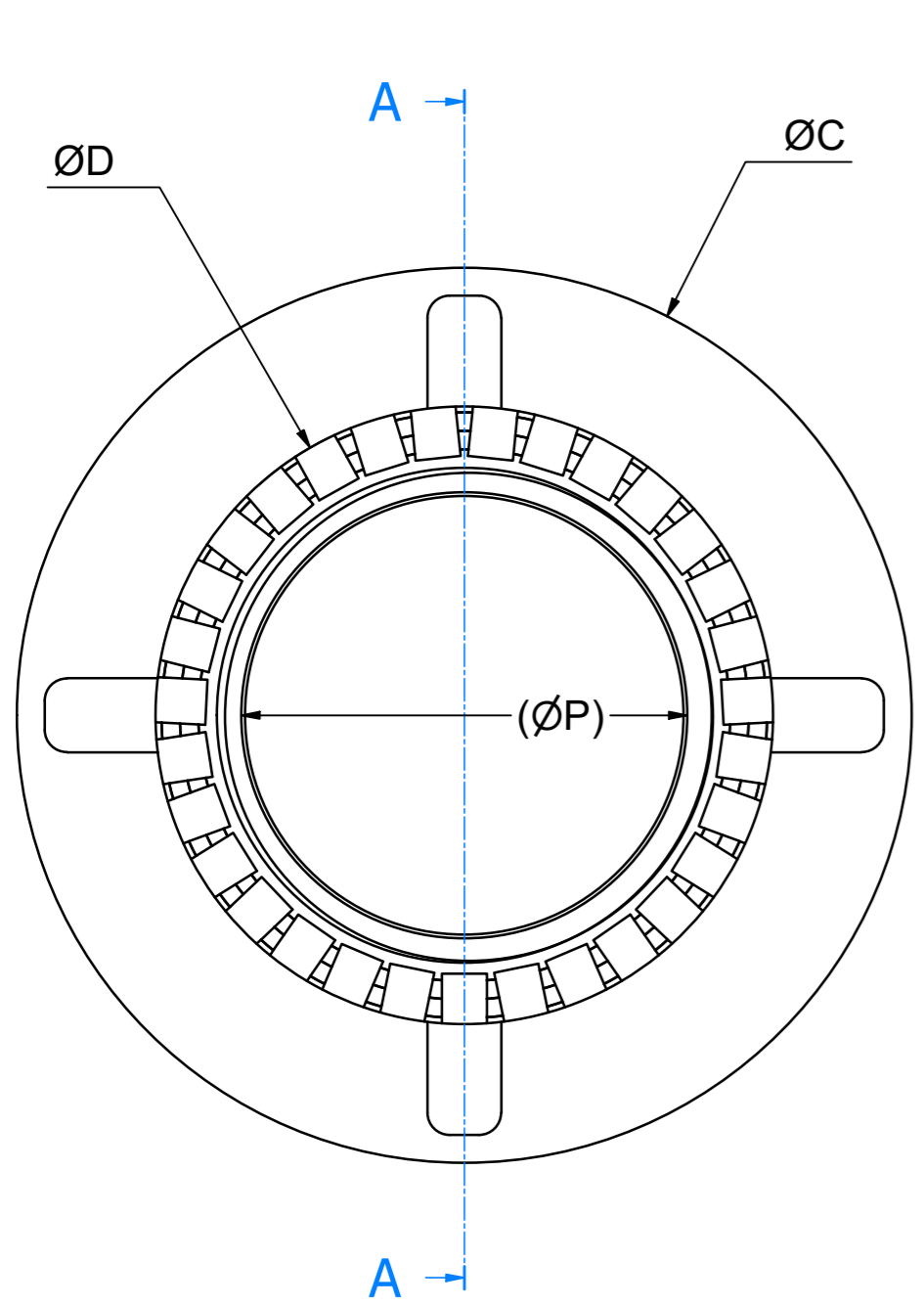


SIZE	FOR PIPE P (mm)	A (mm)	B (mm)	C (mm)	D (mm)	INTUMESCENT SIZE	INTUMESCENT NO OF LAYERS
SLEEV-IT WT-MAR16M	16	5	75	73	32	60x1.8	2
SLEEV-IT WT-MAR20M	20	5	75	78	38	60x1.8	3
SLEEV-IT WT-MAR25M	25	5	75	84	45	60x1.8	3
SLEEV-IT WT-MAR32M	32	5	75	91	51	60x1.8	3
SLEEV-IT WT-MAR40M	40	5	70	102	59	60x1.8	3
SLEEV-IT WT-MAR50M (1.5")	48,3	5	70	112	69	60x1.8	3
SLEEV-IT WT-MAR50M	50	5	70	112	69	60x1.8	3
SLEEV-IT WT-MAR60M (2")	60,3	5	70	121	80	60x2.5	3
SLEEV-IT WT-MAR63M	63	5	70	121	83	60x2.5	3
SLEEV-IT WT-MAR75M	75	5	70	142	102	60x2.5	4
SLEEV-IT WT-MAR90M	90	5	70	165	122	60x2.5	4
SLEEV-IT WT-MAR90M (3")	88,9	5	70	164	124	60x2.5	4
SLEEV-IT WT-MAR110M	110	5	70	183	143	60x2.5	5
SLEEV-IT WT-MAR115M (4")	114,3	5	70	186	146	60x2.5	5
SLEEV-IT WT-MAR125M	125	5	70	202	162	60x2.5	5
SLEEV-IT WT-MAR140M	140	5	70	224	176	60x2.5	6
SLEEV-IT WT-MAR160M	160	5	70	243	205	60x2.5	6
SLEEV-IT WT-MAR169M (6")	168,3	5	70	255	215	60x2.5	6
SLEEV-IT WT-MAR200M	200	5	70	311	240	60x2.5	8

G



NOTE:
BLACK GROMMET METRIC SIZE
RED GROMMET INCH SIZE

5	1	INSTALLATION INSTRUCTION					
4	1	GROMMET	EPDM (SEE NOTE)				
3	1	INTUMESCENT MATERIAL					
2	1	HOUSING	STAINLESS STEEL				
1	1	FLANGE	MILD STEEL				
ITEM QTY		Designation	Specification		Weight		
General tolerances used for manufacturing shown in document DOC-002180		Designed by/date se-ronpet 2012-02-03	Latest save date 2018-08-16	Format A2	Scale	Sheet no 1 / 1	TotWeight 0,6 kg
www.roxtec.com		Title SLEEV-IT WT WT 16-200		Restricted due to Information drawing		Drawing number S1026339	Rev G

G	TABLE UPDATED	2020-11-10	se-jenboh
Rev	Type of revision	Date	Sign