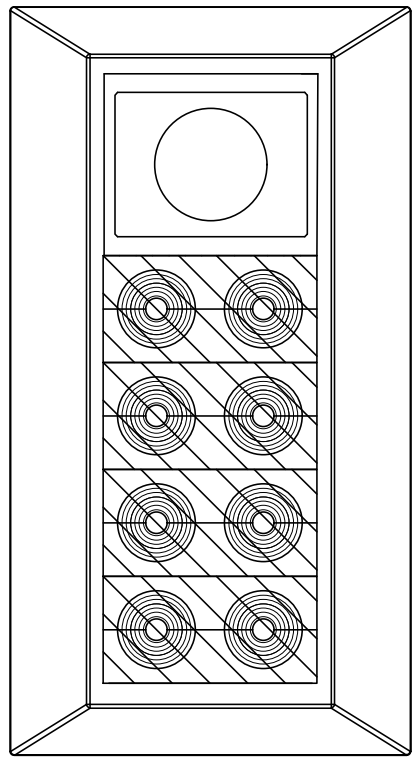
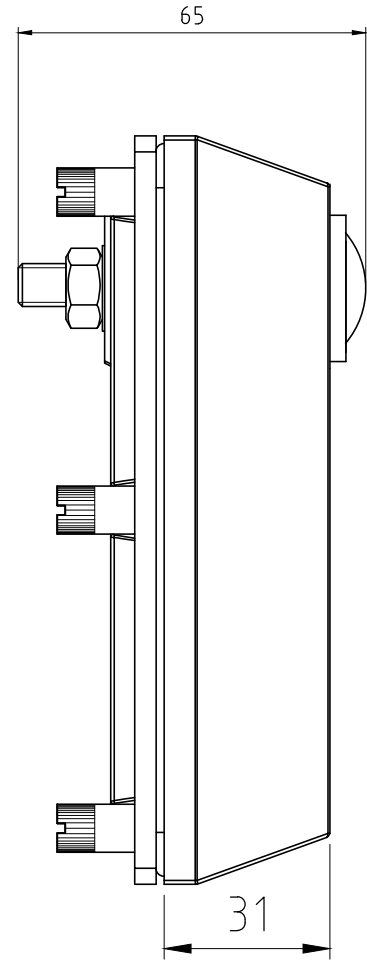
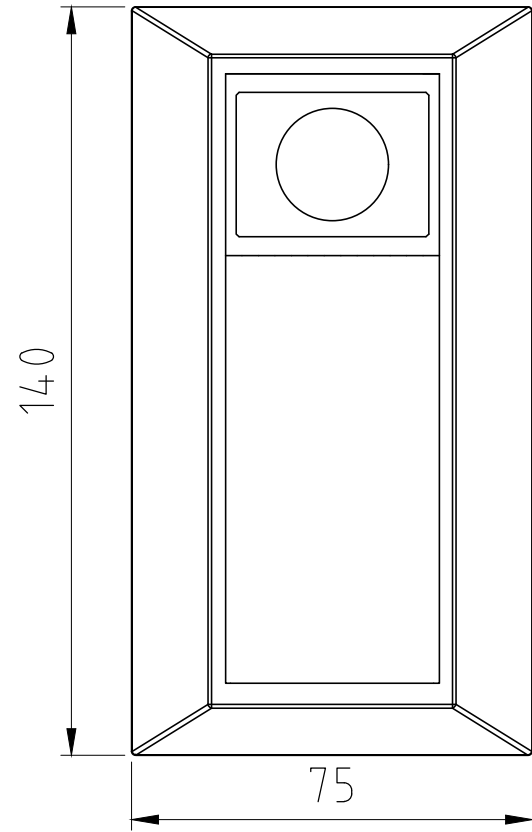
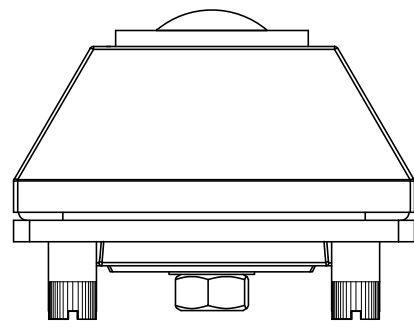


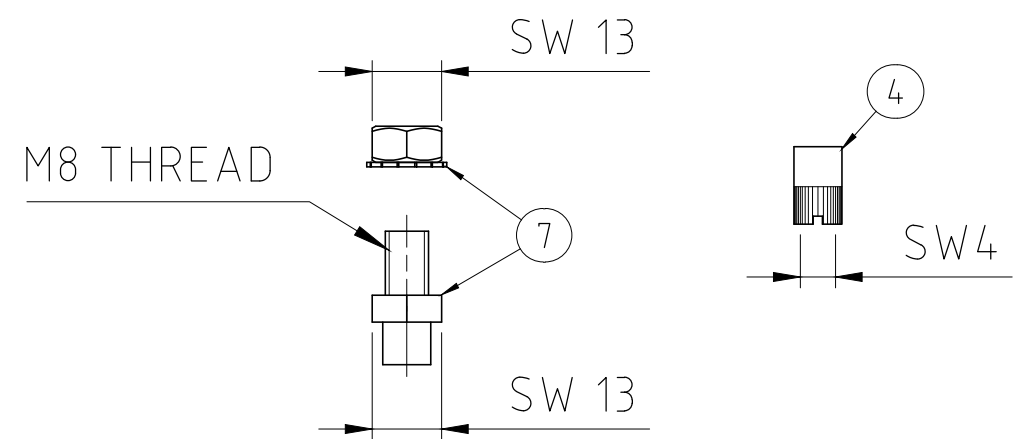
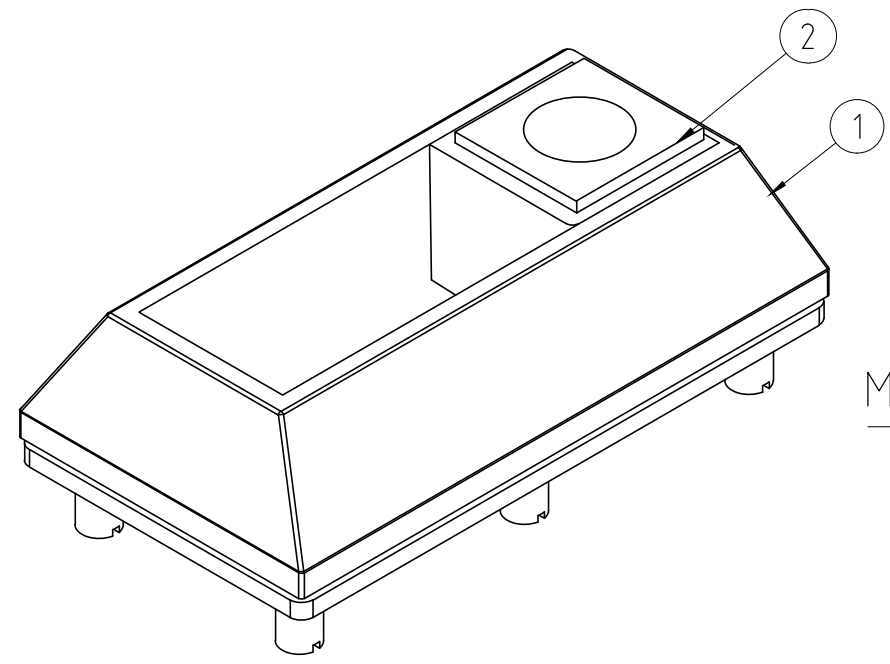
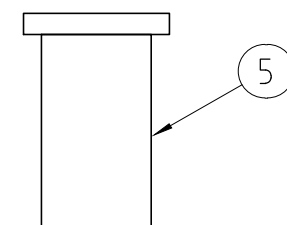
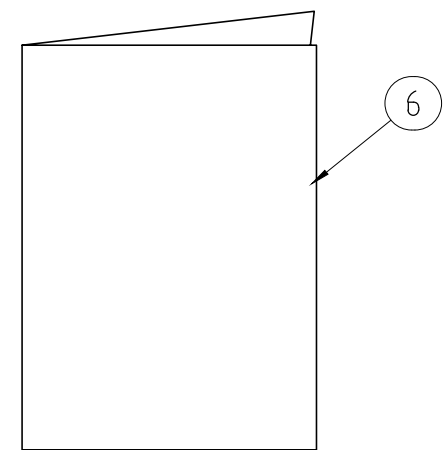
烙克赛克保留所有权利。未经授权严禁复制，使用以及向第三方泄漏。

All rights reserved. Unauthorized reproduction, use or disclosure to third parties is strictly forbidden.

Rev 2.0



CF 8/8 BG B		
MODULE TYPE	RANGE	QTY
CM 20w40 BG B	0+3.5-16.5	4



MAX WALL THICKNESS = 4MM

Item	Qty	Designation	Specification	Net Weight
7	1	GROUND LUG KIT		
6	1	INSTALLATION INSTRUCTION		
5	1	LUBRICANT	10 ml	
4	6	NUT 9x14xM6 A4-70	ACID PROOF STAINLESS STEEL	
3	1	MODULE KIT	ACCORDING TO TABLE	
2	1	CF 8/32 COMPRESSION UNIT BG/PE AISI316	ROXYLON	
1	1	CF 8 BG FRAME	NICKEL PLATED ALUMINUM	

General tolerances used for manufacturing shown in document DOC-00280		Designed by se-jenboh	Created Date 2011-06-29	Latest save date 2021-03-01	Format A2	Scale 1:1	Sheet no	Net Weight -
 www.roxtec.com		Title CF 8 BG B KIT SOLUTIONS		Restricted due to Information drawing		Drawing number S1024235		Projection method Rev E

Rev	Type of revision	Date	Sign
E	TABLE UPDATED	2020-12-14	se-henols