

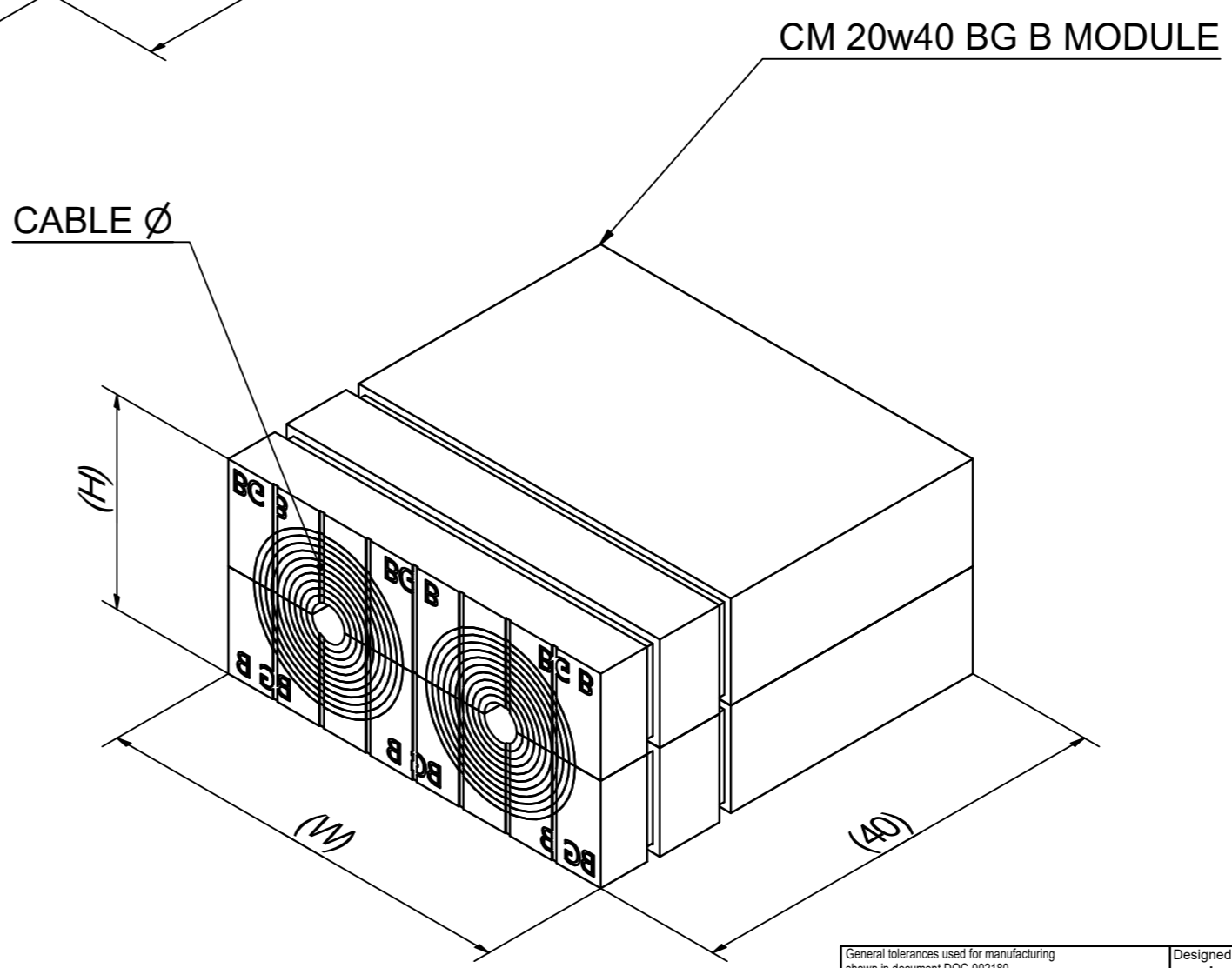
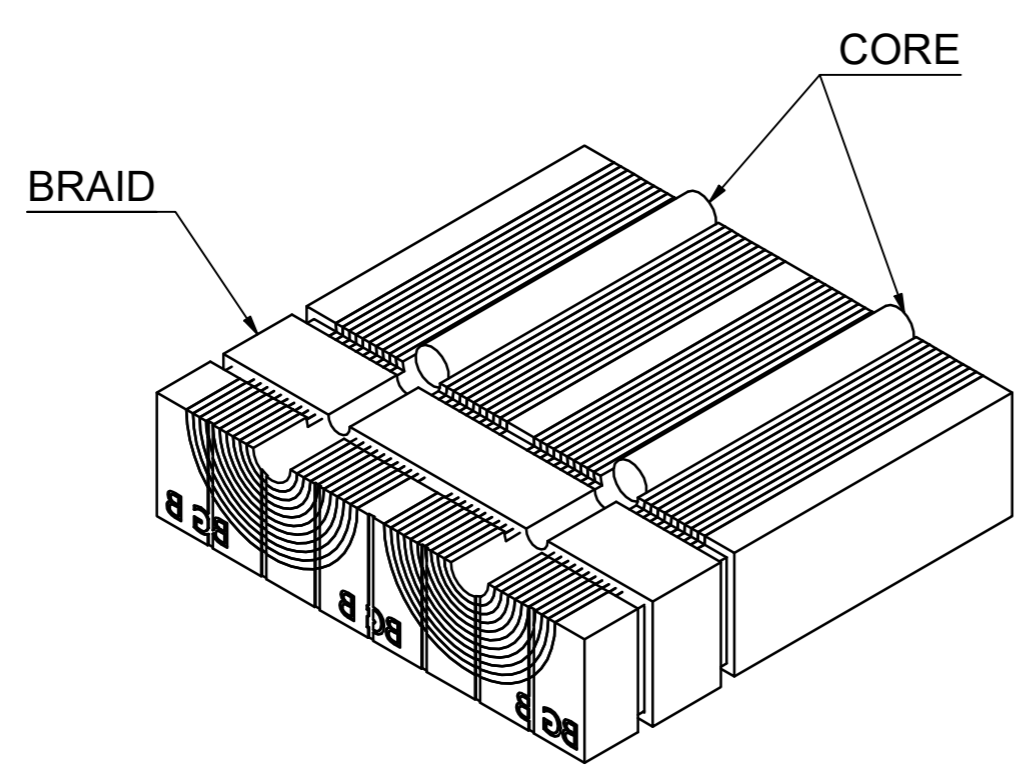
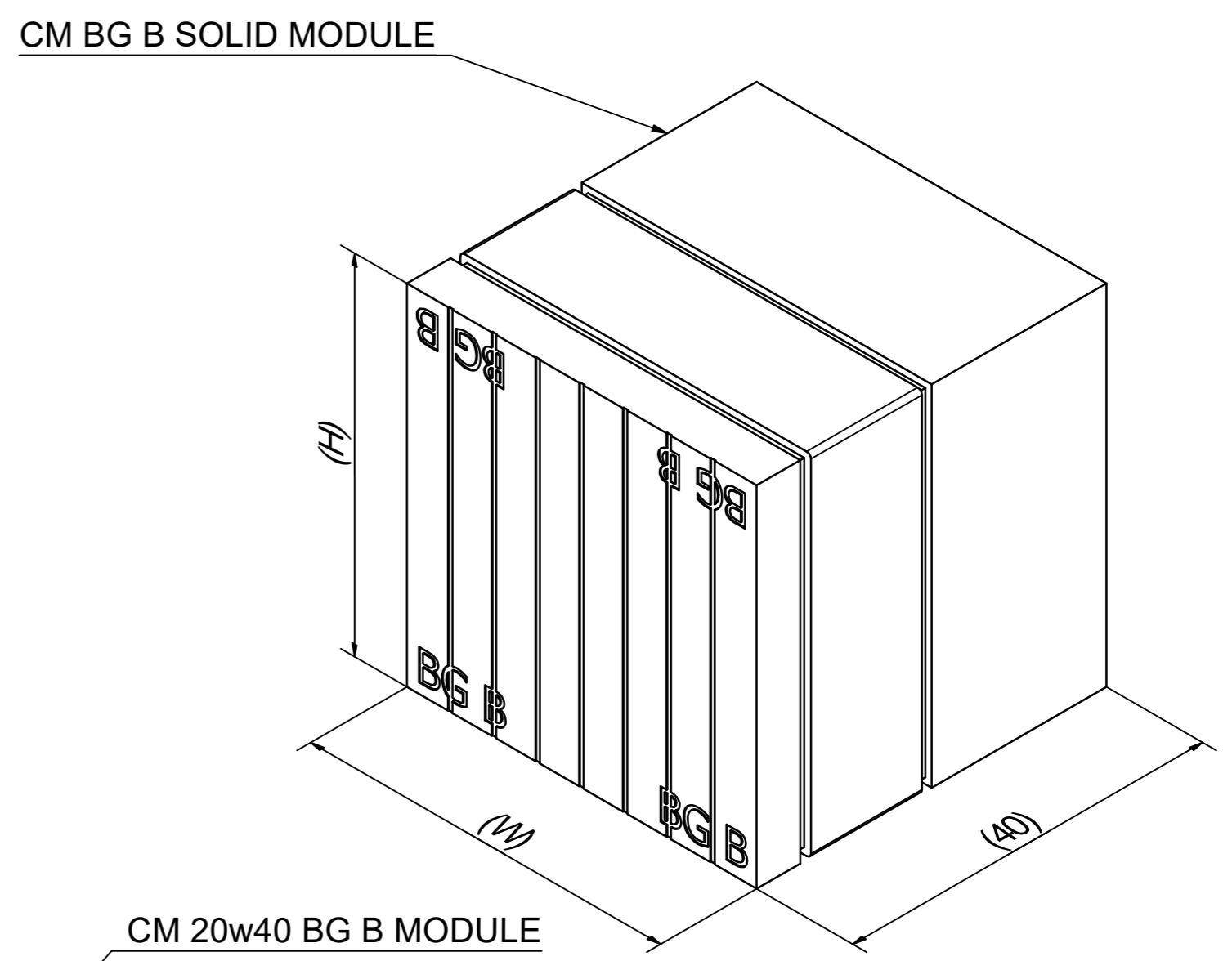
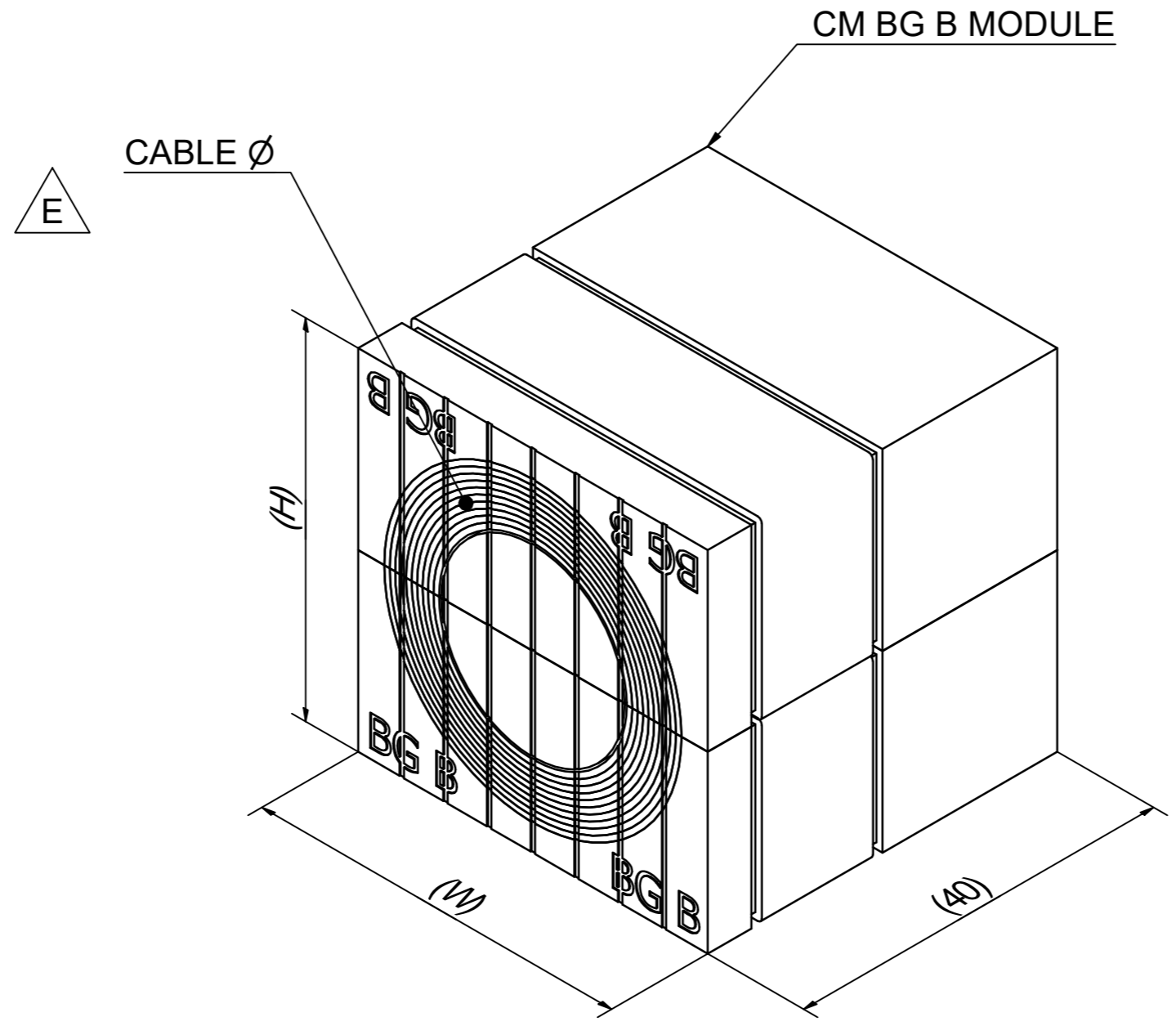
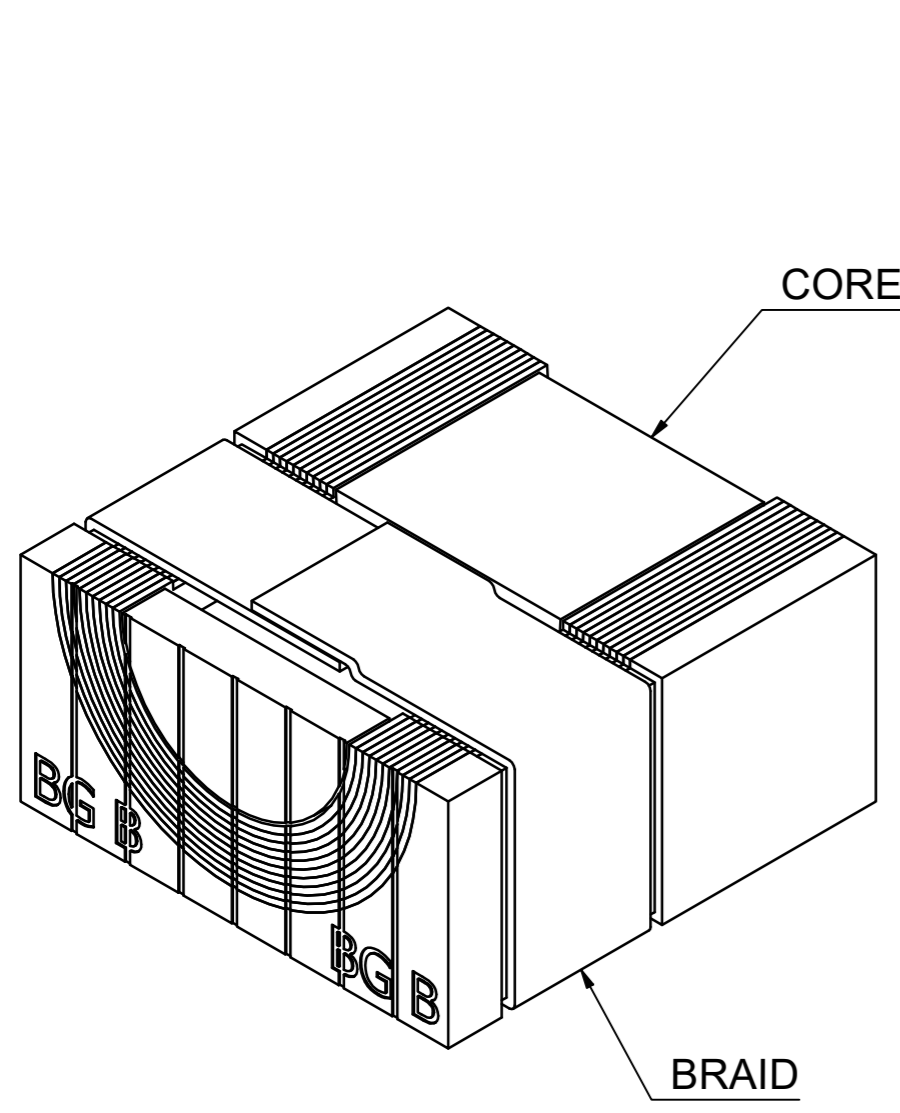
格克赛克保留所有权利。未经授权严禁复制、使用以及向第三方泄露。

All rights reserved. Unauthorized reproduction, use or disclosure to third parties is strictly forbidden.


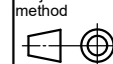
Rev 2.0

TYPE	W	H	CABLE Ø
CM BG B	(mm)	(mm)	(mm)
CM 20 BG B	20	20	0+4-14.5
CM 20w40 BG B	40	20	0+3.5-16.5
CM 30w40 BG B	40	30	0+10-25
CM 40 BG B	40	40	0+21.5-34.5
CM 40 10-32 BG B	40	40	0+9.5-32.5

TYPE	W	H
CM BG B SOLID	(mm)	(mm)
CM 20/0 BG B	20	20
CM 40/0 BG B	40	40
CM 10w40/0 BG B	40	10



Rev	Type of revision	Date	Sign
E	CHANGED TO CORE HALVES	2020-01-30	se-linado

General tolerances used for manufacturing shown in document DOC-002180		Designed by/date se-jenboh 2011-06-29	Latest save date 2014-11-12	Format A2	Scale	Sheet no 1 / 1	TotWeight 0,1 kg
 <b>Roxtec</b> www.roxtec.com		Title CM BG B MODULE ASSEMBLY			Projection method 		Rev E
		Restricted due to Information drawing			Drawing number S1024232		

Information drawings show general design and nominal dimensions if not else stated