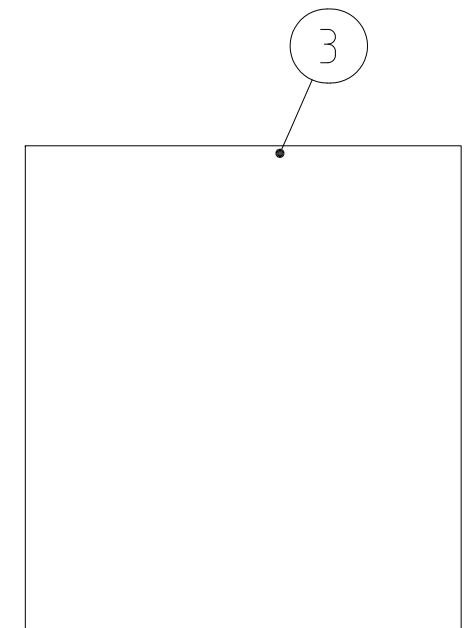
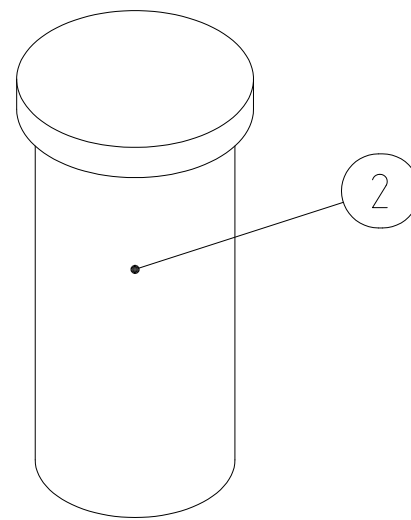
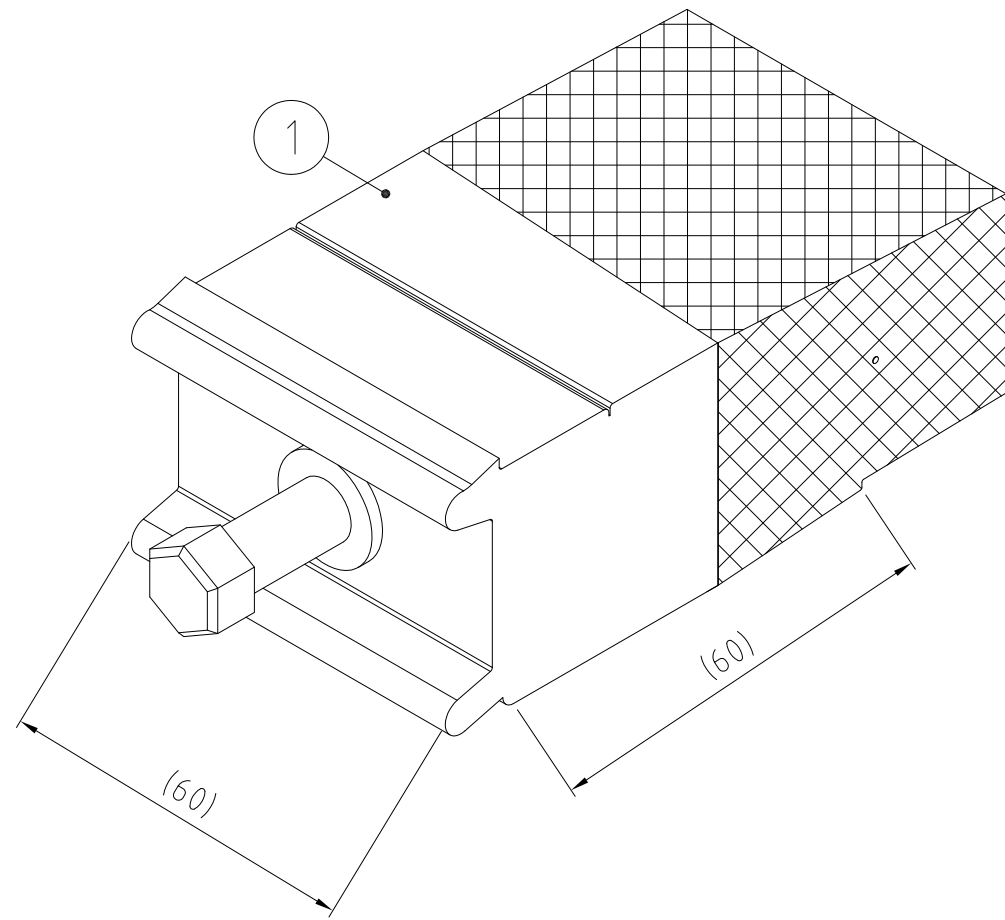

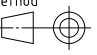


GALVANIZED OR STAINLESS STEEL



洛克赛克保留所有权利。未经授权严禁复制，使用以及向第三方泄漏。

All rights reserved. Unauthorized reproduction, use or disclosure to third parties is strictly forbidden.

3	1	INSTALLATION INSTRUCTION					
2	1	LUBRICANT	25ml				
1	1	ROXTEC WEDGE 60 ES					
Item	Qty	Designation	Specification				Net Weight
ROXTEC INTERNATIONAL AB BOX 540 S-371 23 Karlskrona TEL: +46 455 366700 FAX: +46 455 82012		Designed by se-jenboh	Created Date 2011-03-21	General tolerance ISO 2768-1/2-m/K EN ISO 13920-BF	Welded details EN ISO 5817-B EN ISO 10042-B	General surface roughness, Ra 12,5 -	Tot Weight
		Approved by se-milkar	Approved Date 2011-08-15	Title ROXTEC WEDGE 60 ES		Projection method 	Rev
		Format A3	Scale 1:1	ASSEMBLY		Drawing number S1023258	A
		Restricted due to Information Drawing					

A			
Rev	Type of revision	Date	Sign