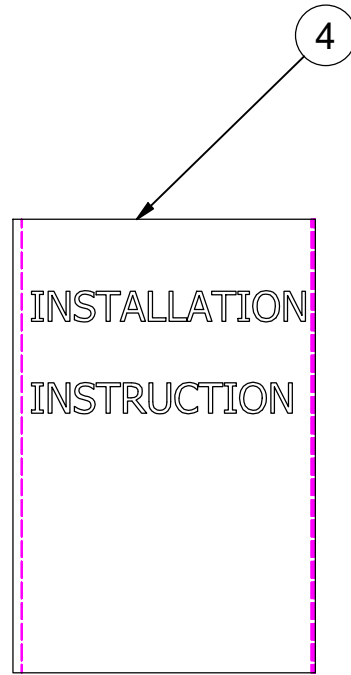
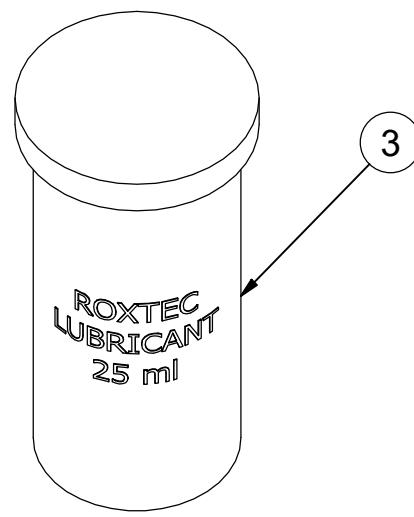
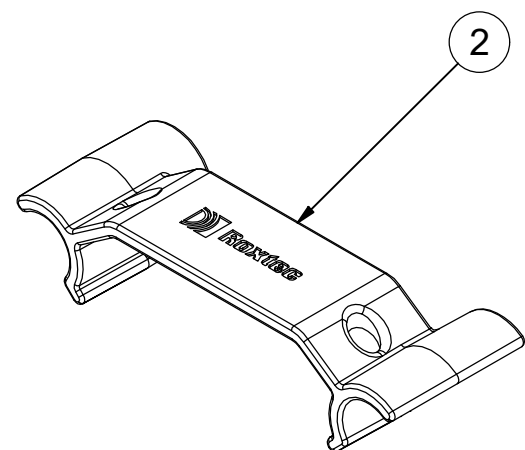
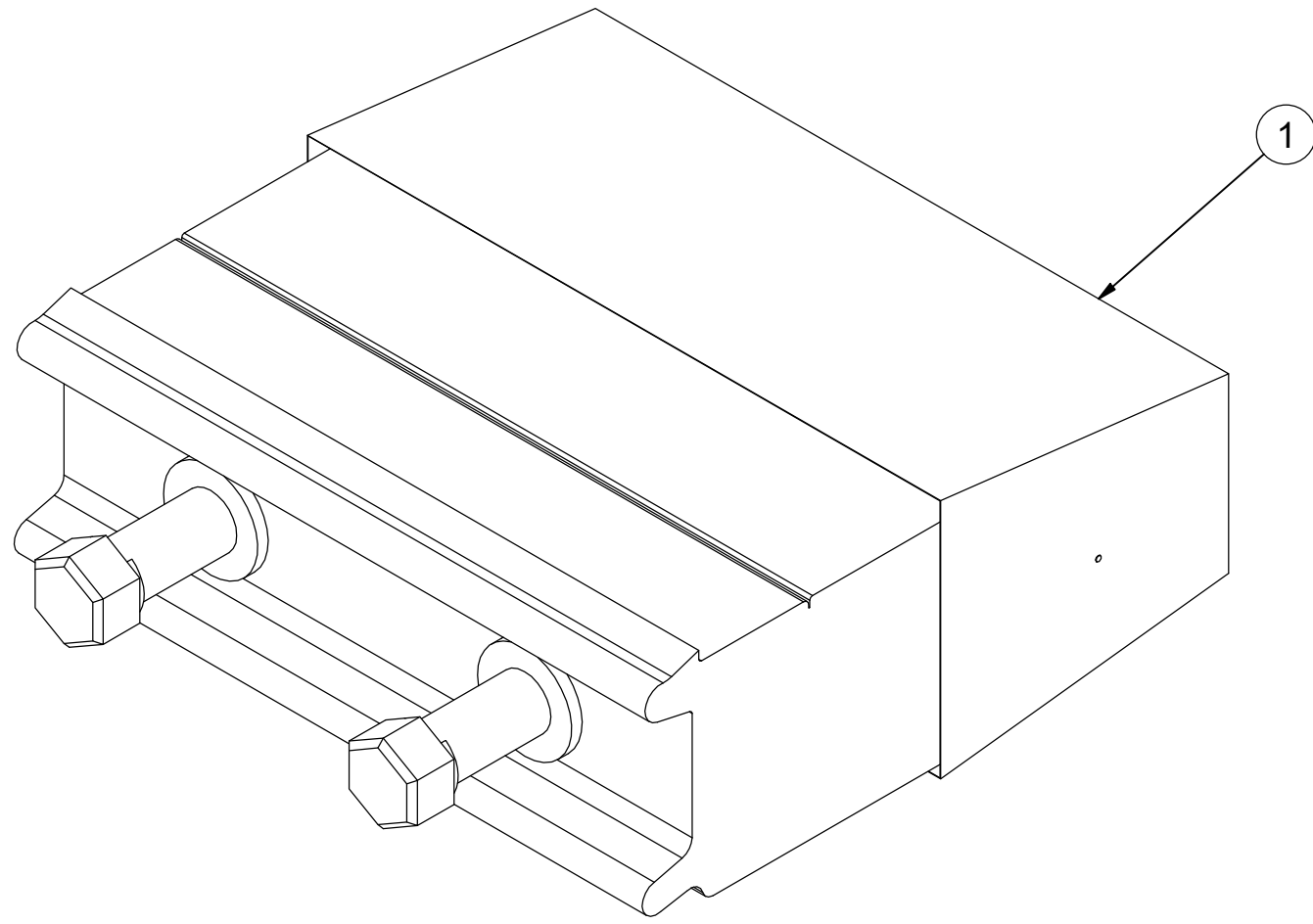

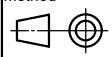


GALVANIZED OR STAINLESS STEEL



4	1	INSTALLATION INSTRUCTION	
3	1	LUBRICANT	25ml
2	1	ROXTEC WEDGE CLIP	
1	1	ROXTEC WEDGE ES	

ITEM	QTY	Designation	Specification				Weight
General tolerances used for manufacturing shown in document DOC-002180		Designed by/date se-jenboh 2011-03-10	Latest save date 2020-11-24	Format A3	Scale	Sheet no 1 / 1	TotWeight N/A
 <a href="http://www.roxtec.com">www.roxtec.com</a>		Title ROXTEC WEDGE ES ASSEMBLY				Projection method 	
		Restricted due to Information drawing		Drawing number S1023164		Rev C	

C	CHANGED EMC TO ES IN PARTS LIST	2020-11-23	se-linado
Rev	Type of revision	Date	Sign