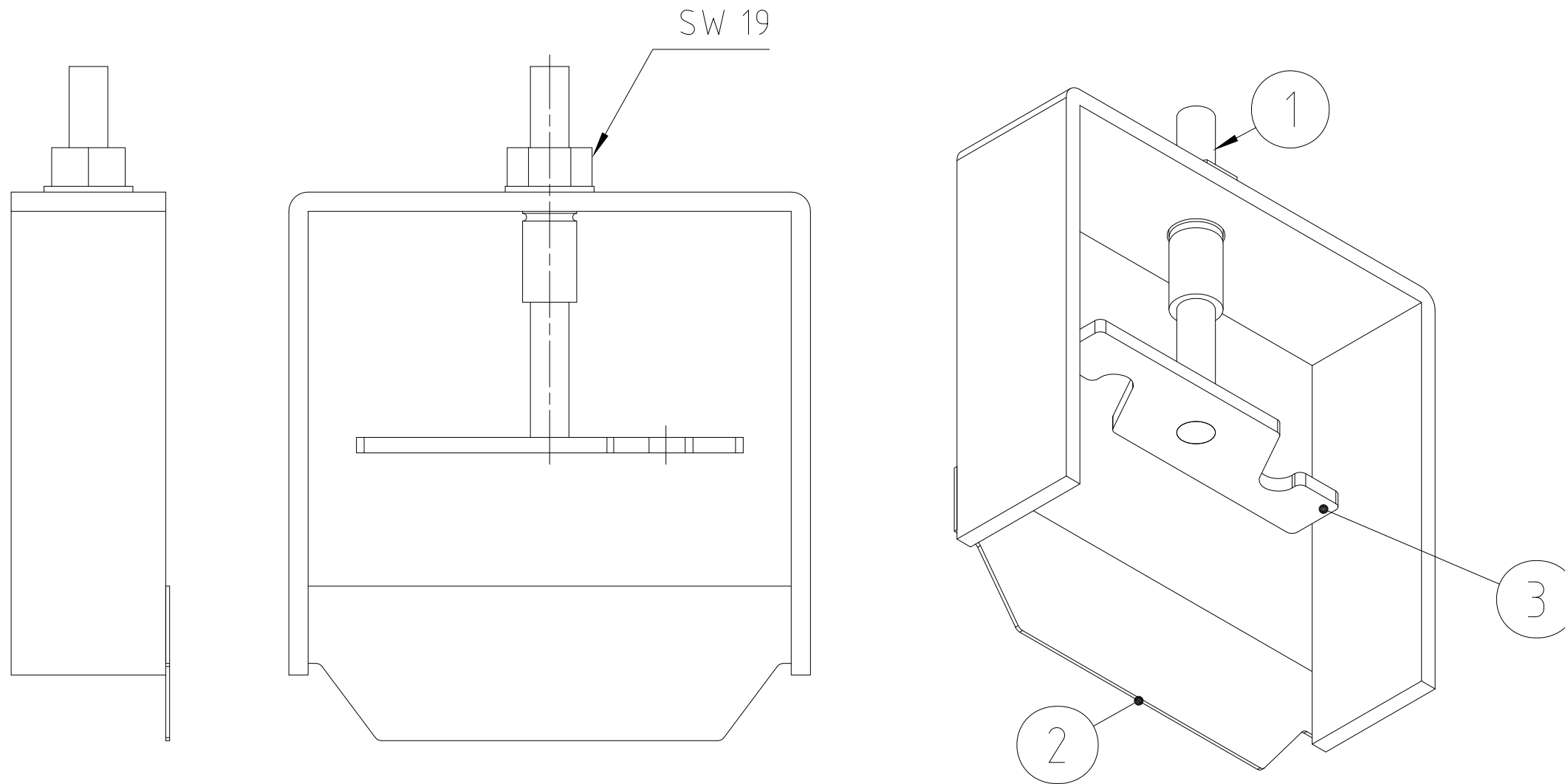


We reserve all rights in this document and in the information contained therein. Reproduction, use or modification without the written consent of ROXTEC INTERNATIONAL AB is strictly forbidden.



MASS 0.8Kg

A			
Rev	Type of revision	Date	Sign

3	1	EXTRACTOR HOOK				
2	1	LIFT PLATE				
1	1	M8 STUDBOLT				
Item	Qty	Designation	Specification			Net Weight
ROXTEC INTERNATIONAL AB BOX 540 S-371 23 Kartskrona TEL: +46 455 366700 FAX: +46 455 82012		Designed by <b>se-jenboh</b> Approved by <b>se-milkar</b>	Created Date 2011-02-09 Approved Date 2011-02-10	General tolerance ISO 2768-12-mK EN ISO 13970-BF	Welded details EN ISO 5817-B EN ISO 10042-B	General surface roughness, Ra 12.5
		Format A2	Scale 1:1	Title WEDGE PULLER ASSEMBLY		Projection method 
Restricted due to Information Drawing				Drawing number S1022836	Rev A	