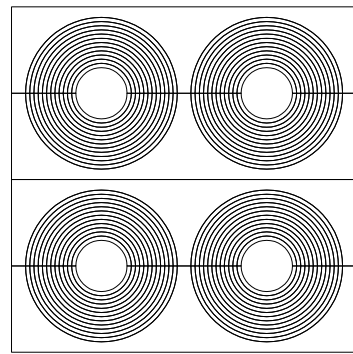


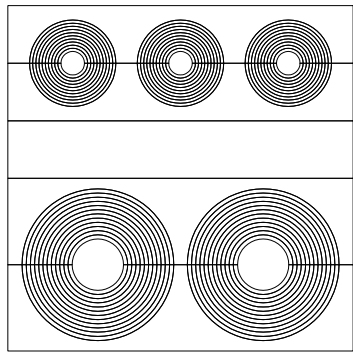
CRL 4"/1
1 PCS. CM 66

8



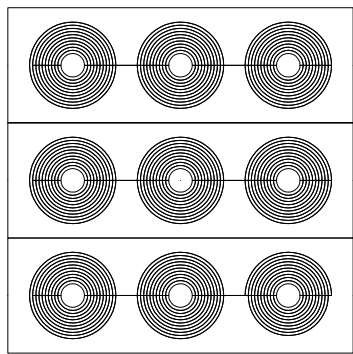
CRL 4"/4
2 PCS. CM 33w66

8



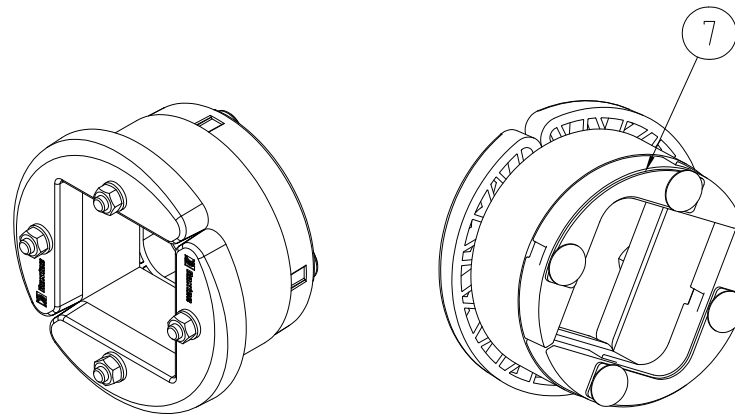
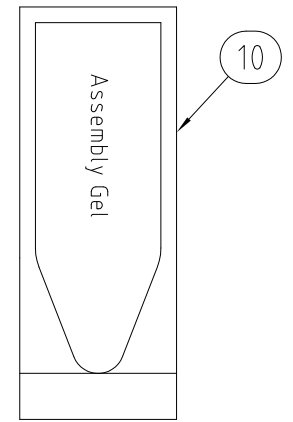
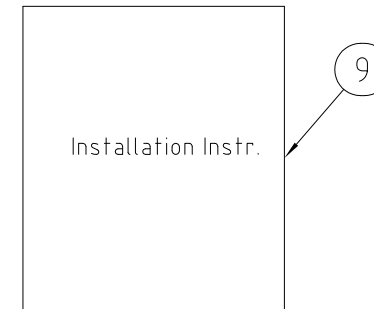
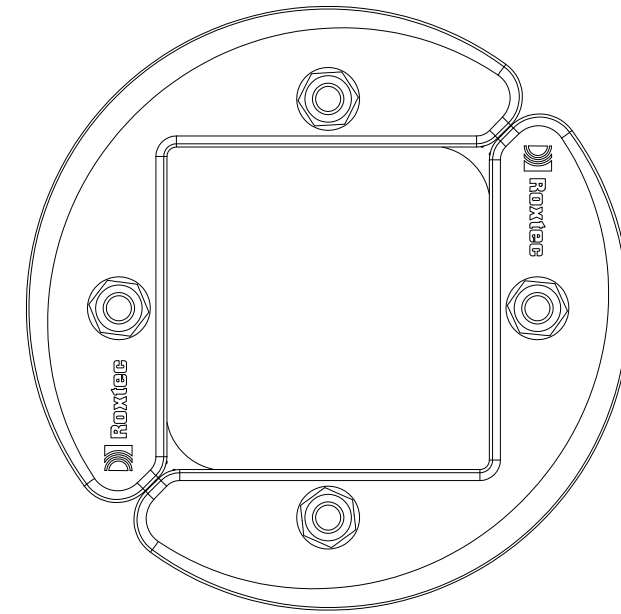
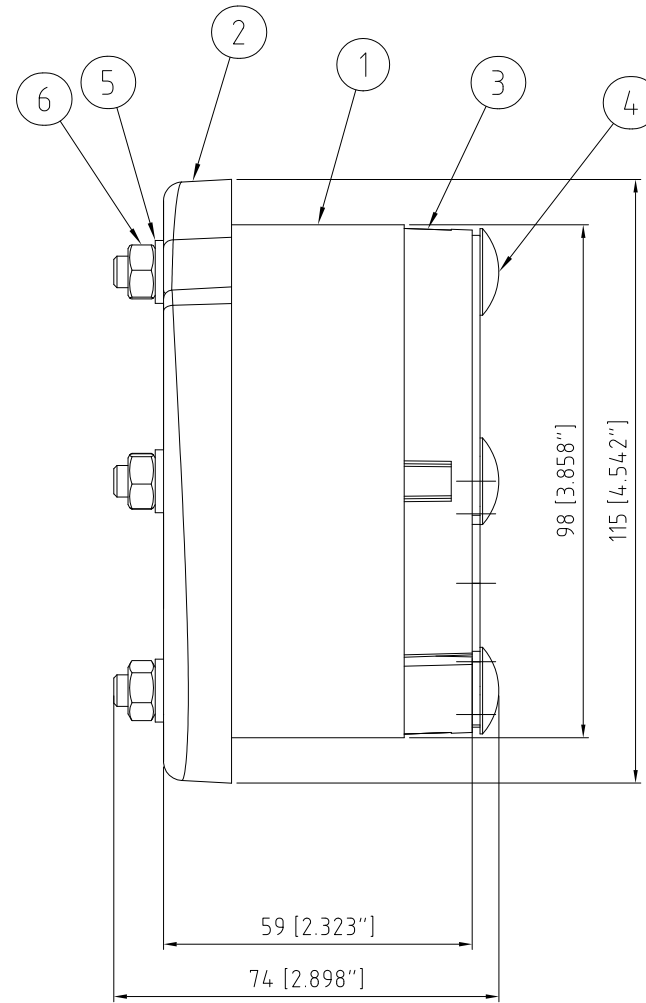
CRL 4"/5
1 PCS. CM 22w66
1 PCS. CM 11W66/0
1 PCS. CM 33W66

8



CRL 4"/9
3 PCS. CM 22w66

8



ISO VIEWS SCALE 1:2

| Item | Qty | Designation | Specification | Net Weight |
|------|-----|----------------------------|--------------------|------------|
| 10 | 1 | ASSEMBLY GEL | | |
| 9 | 1 | INSTALLATION INSTRUCTION | | |
| 8 | 1 | MODULE KITS | ROXYLON | |
| 7 | 2 | REINFORCEMENT REAR FITTING | AISI 316 T=1,5MM | |
| 6 | 4 | NUT | M6M M6 A2 ISO 4032 | |
| 5 | 4 | WASHER | BRB M6 A2 ISO 7089 | |
| 4 | 4 | SCREW | MVBF A2 M6x70 | |
| 3 | 2 | REAR FITTING | PA 6.6 25% GF | |
| 2 | 2 | FRONT FITTING | PA 6.6 25% GF | |
| 1 | 1 | RUBBER | ROXYLON | |

| | | | | | | | |
|--|--|---------------------------------|-----------------------------|-------------------------------------|--------------------------------|--|------------|
| ROXTEC INTERNATIONAL AB BOX 540 S-371 23 Kartskrona TEL: +46 455 366700 FAX: +46 455 82012 | | Designed by se-henols | Created Date 2011-01-14 | General tolerance ISO 2768-12-mK | Welded detail EN ISO 5817-B | General surface roughness, Ra 12,5 | Net Weight |
| | | Approved by se-jorake | Approved Date 2012-10-16 | Title CRL 4" KITS | | Projection method | |
| Restricted due to Information Drawing | | Format A2 | Scale 1:1 | Drawing number S1022631 | | Rev B | |

We reserve all rights in this document and in the information contained therein. Reproduction, use or modification without the written consent of ROXTEC INTERNATIONAL AB is strictly forbidden.

| | | | |
|-----|------------------|------------|-----------|
| B | TITLE CHANGED | 2012-10-12 | se-henols |
| Rev | Type of revision | Date | Sign |