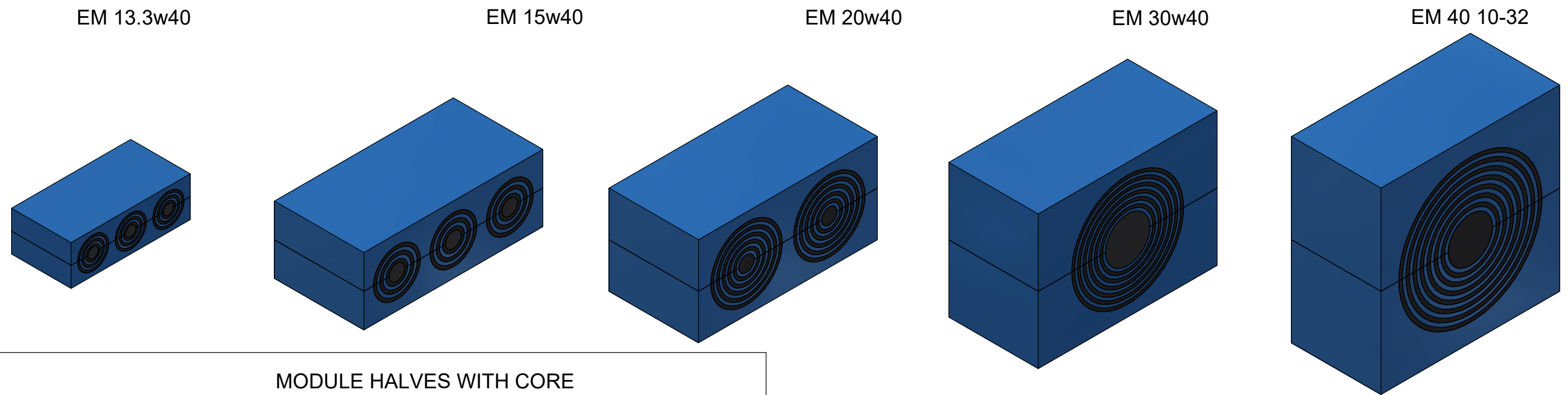
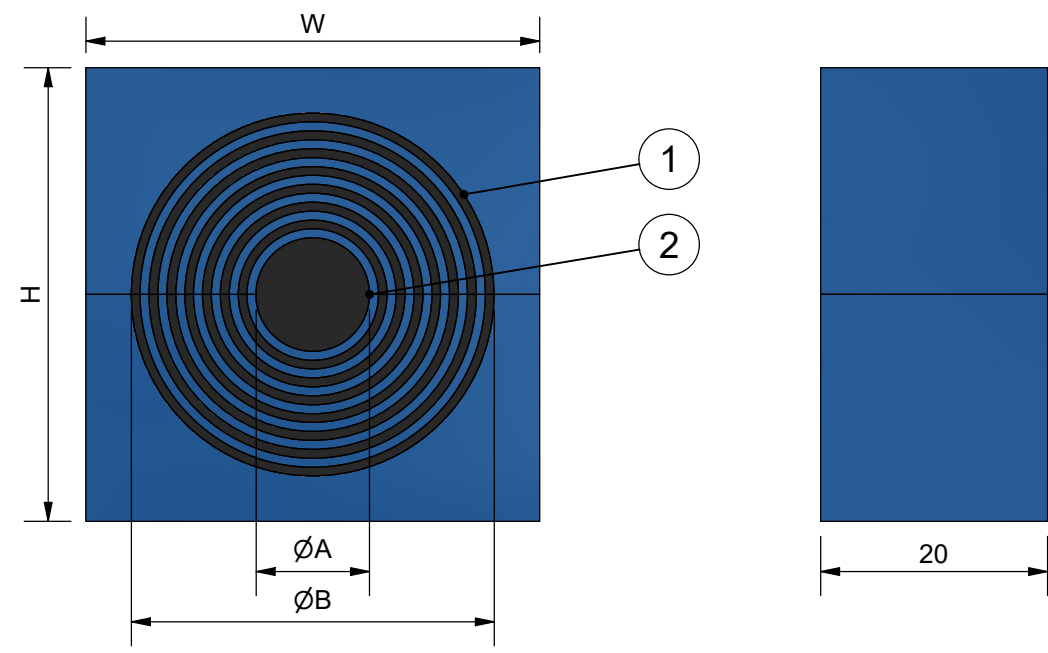
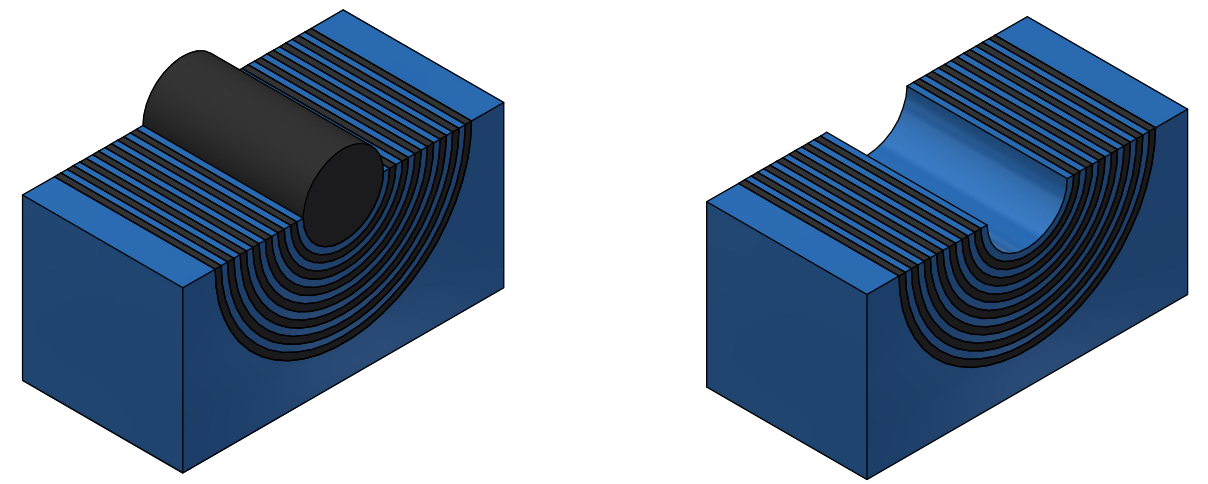

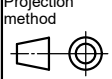


TYPE	CABLE/PIPE Ø (A-B) [mm]	H [mm]	W [mm]	C [QTY]
EM 13.3w40	3.5-10.5	13.3	40	3
EM 15w40	3.5-10.5	15	40	3
EM 20w40	3.5 - 16.5	20	40	2
EM 30w40	10-25	30	40	1
EM 40 10-32	9.5 - 32.5	40	40	1



MODULE HALVES WITH CORE



2	C	CORE	ROXYLON			
1	2	RUBBER PROFILE	ROXYLON			
ITEM	QTY	Designation	Specification			Weight
General tolerances used for manufacturing shown in document DOC-002180		Designed by/date se-milkar 2010-04-20	Latest save date 2024-10-29	Format A3	Scale	Sheet no 1 / 1
		Title EM MODULES ASSEMBLY			Projection method 	
www.roxtec.com		Restricted due to Information drawing		Drawing number S1020227		Rev D

D	EM 13.3w40 AND EM 30w40 ADDED	2024-10-29	se-marfre
Rev	Type of revision	Date	Sign