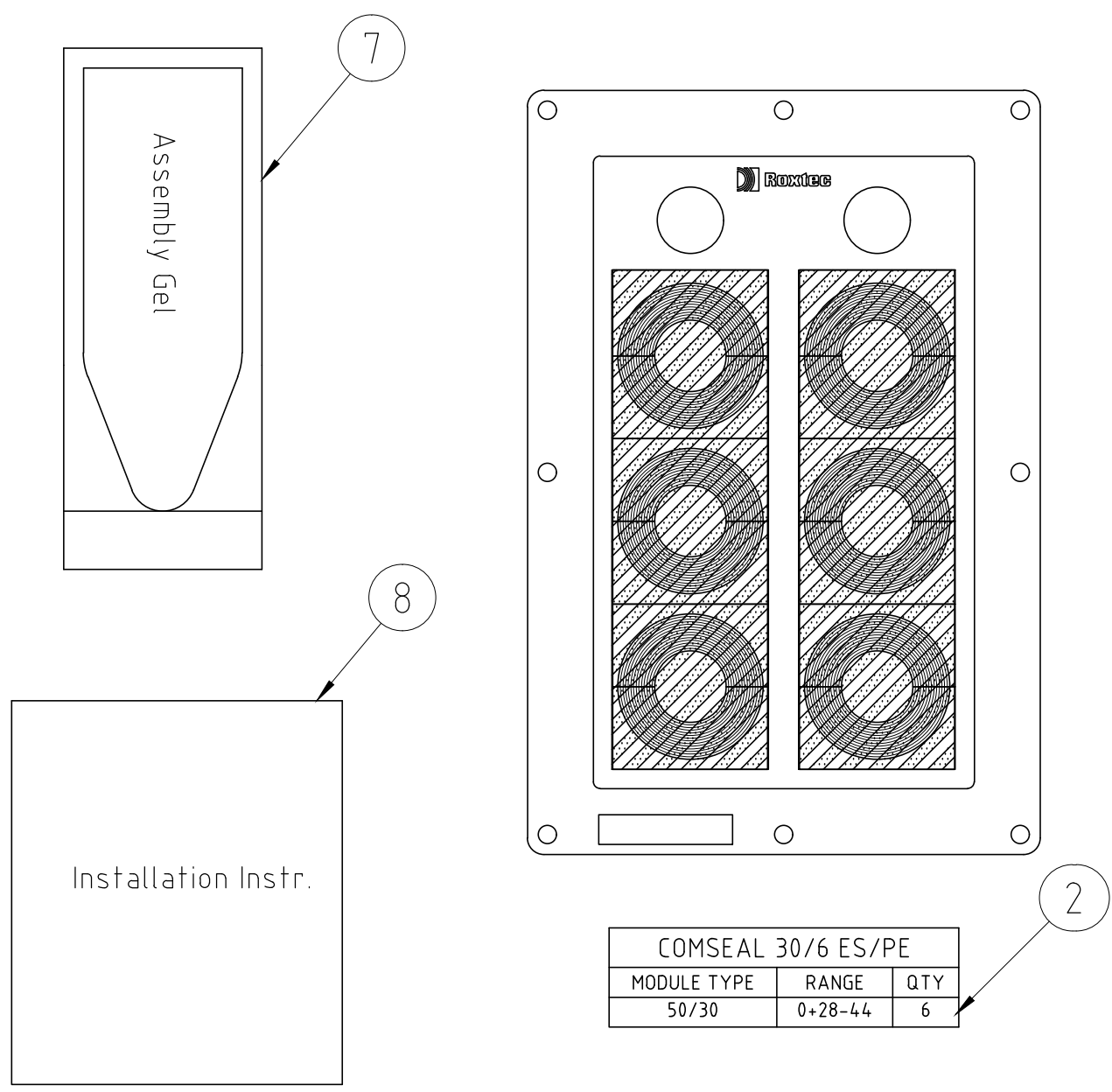
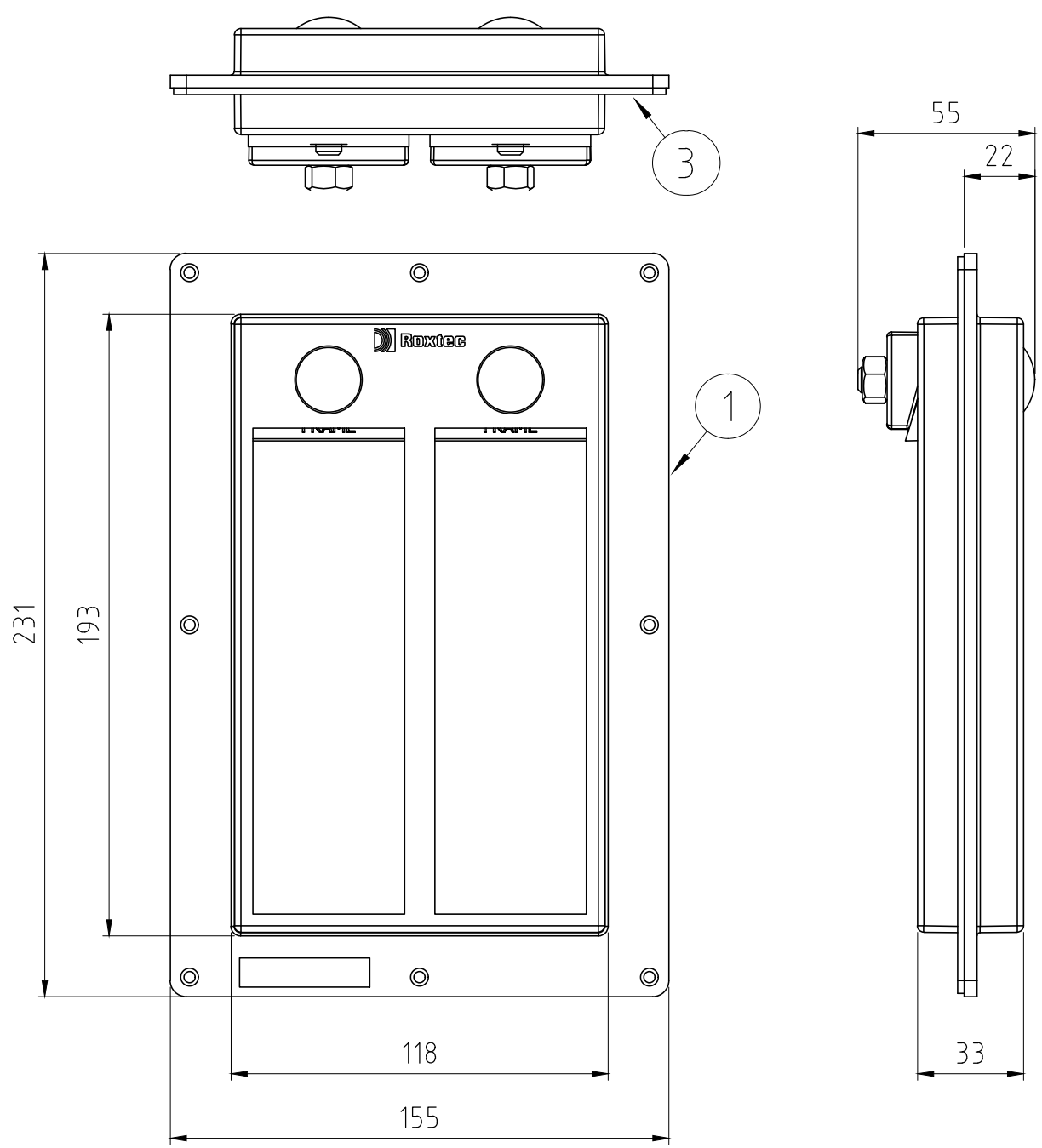


烙克赛克保留所有权利。未经授权严禁复制，使用以及向第三方泄漏。

All rights reserved. Unauthorized reproduction, use or disclosure to third parties is strictly forbidden.

Rev 2.0



NOTE:

MODULES ARE AVAILABLE IN ES AND PE VERSION:  
 ES = ELECTROMAGNETIC SHIELDING (WHITE STRIPES)  
 PE = POTENTIAL EQUALIZATION (BLACK STRIPES)

8	1	INSTALLATION INSTRUCTION		
7	1	ASSEMBLY GEL		
6	8	NUT	M6M M5 STAINLESS	
5	8	WASHER	BRB M5 STAINLESS	
4	8	SCREW	K6S M5x20 STAINLESS	
3	1	GASKET	CONDUCTIVE	
2	1	MODULE KIT	ACCORDING TO TABLE ABOVE	
1	1	FRAME	NICKELPLATED ALUMINIUM	

Item	Qty	Designation	Specification	NetWeight
General tolerances used for manufacturing shown in document DOC-002180		Designed by se-jenboh	Created Date 2010-04-14	Latest save date 2021-11-25
Format A3		Scale 1:2	Sheet no	Total Weight -
Title COMSEAL 30 ES/PE KIT SOLUTIONS		Drawing number S1020158		Projection method E
www.roxtec.com		Information drawing		Rev E

E	SCREW LENGTH CORRECTED	2021-01-08	se-jenboh
Rev	Type of revision	Date	Sign