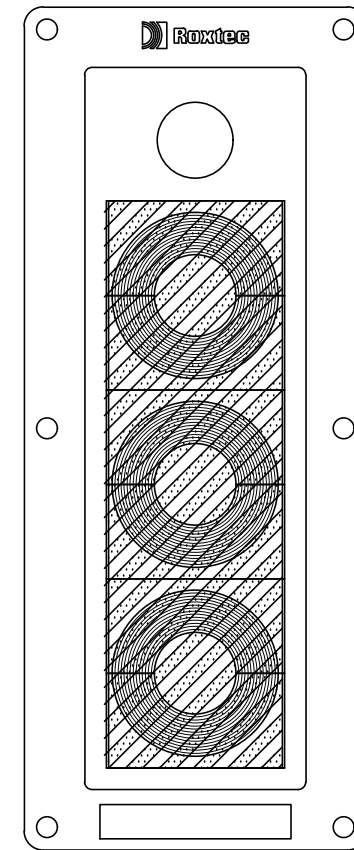
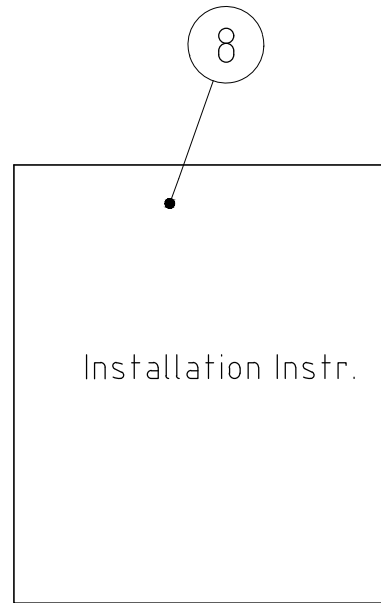
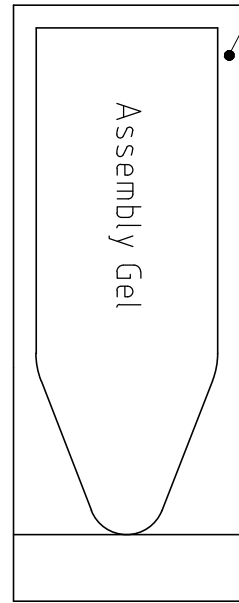
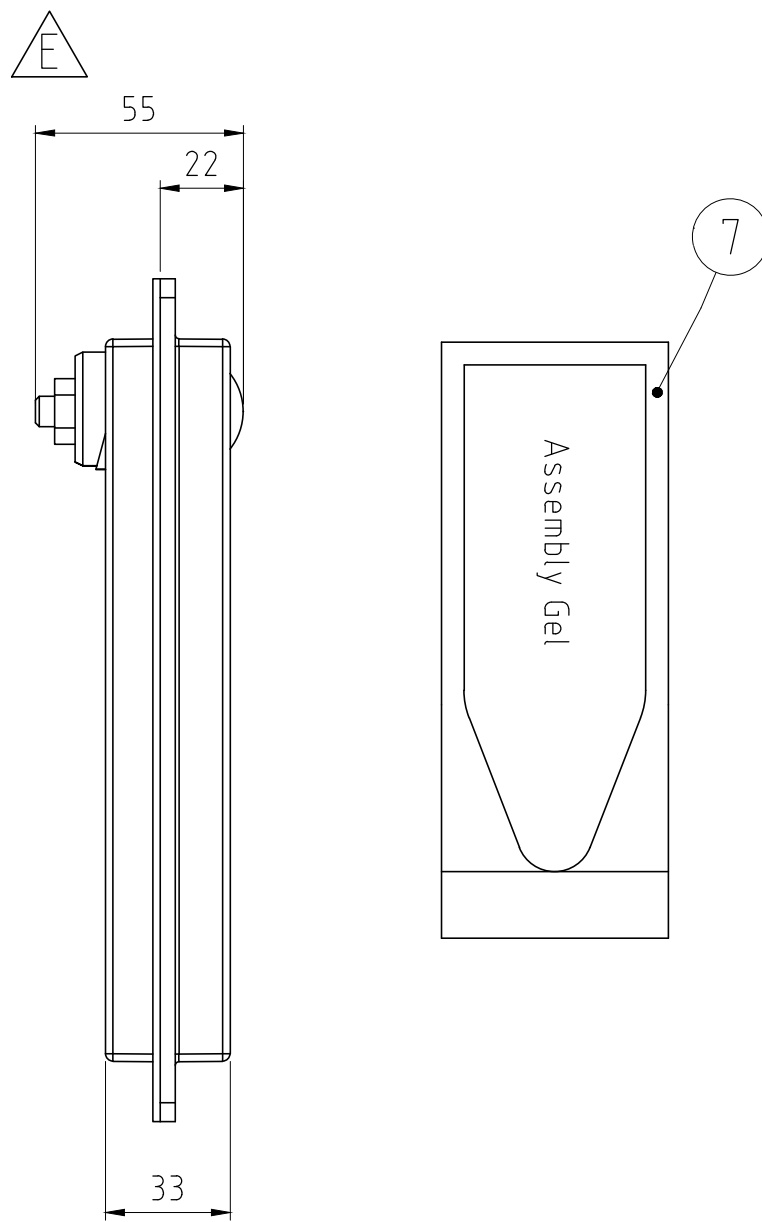
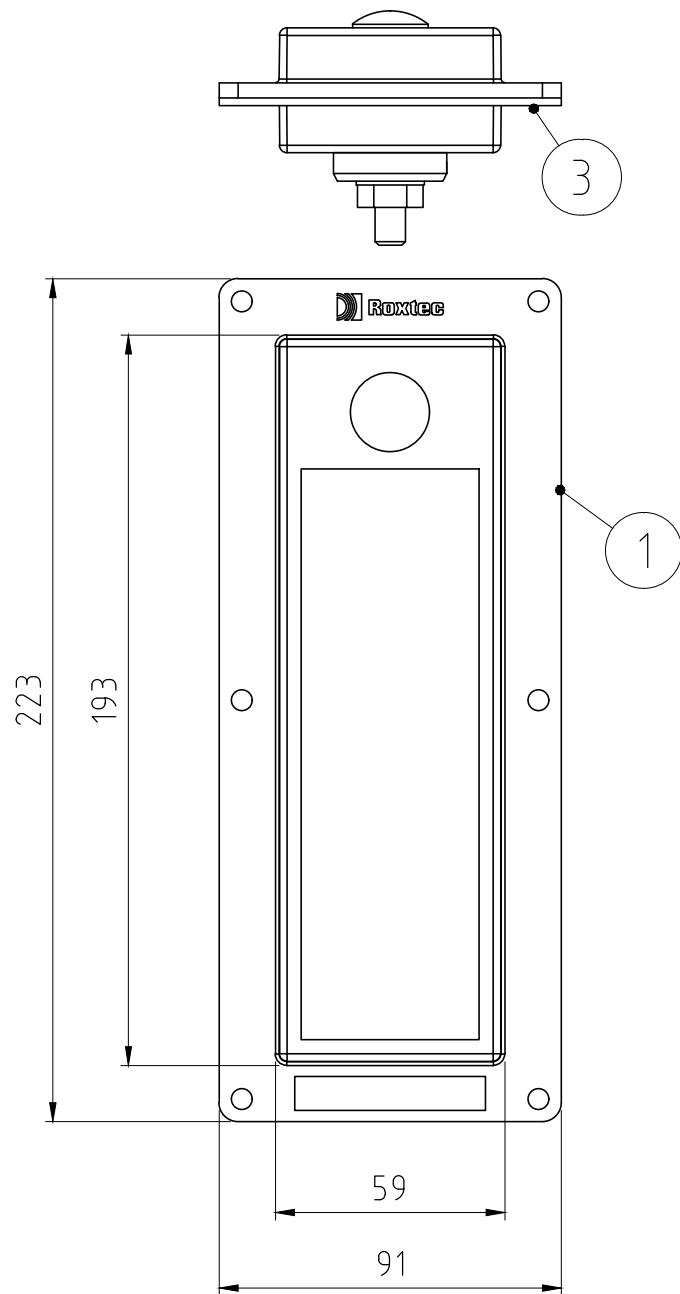


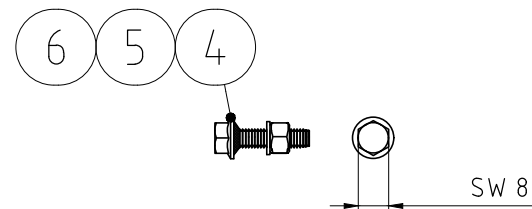
烙克囊克保留所有权利。未经授权严禁复制，使用以及向第三方泄漏。

All rights reserved. Unauthorized reproduction, use or disclosure to third parties is strictly forbidden.

Rev 2.0



COMSEAL 15/3 ES/PE		
MODULE TYPE	RANGE	QTY
50/30	0+28-44	3



NOTE:

MODULES ARE AVAILABLE IN ES AND PE VERSION:
 ES = ELECTROMAGNETIC SHIELDING (WHITE STRIPES)
 PE = POTENTIAL EQUALIZATION (BLACK STRIPES)

8	1	INSTALATION INSTRUCTION		
7	1	ASSEMBLY GEL		
6	6	NUT	M6M M5 STAINLESS	
5	6	WASHER	BRB M5 STAINLESS	
4	6	SCREW	K6S M5x20 STAINLESS	
3	1	GASKET	CONDUCTIVE	
2	1	MODULE KIT	ACCORDING TO TABLE ABOVE	
1	1	FRAME	NICKELPLATED ALUMINIUM	

Item	Qty	Designation	Specification	NetWeight
General tolerances used for manufacturing shown in document DOC-002180		Designed by	Created Date	Latest save date
		se-jenboh	2010-04-14	2021-11-25
		Format	Scale	Sheet no
		A3	1:2	
		Title		Projection method
		COMSEAL 15 ES/PE		
		KIT SOLUTIONS		
		Restricted due to		Rev
		Information drawing		E
		Drawing number		
		S1020156		

E	SCREW LENGTH CORRECTED	2021-01-08	se-jenboh
Rev	Type of revision	Date	Sign

Information drawings show general design and nominal dimensions if not else stated