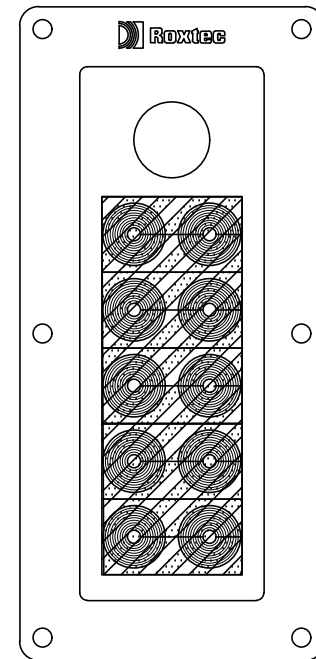
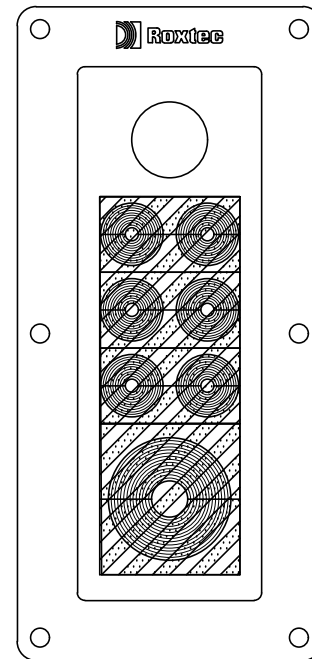
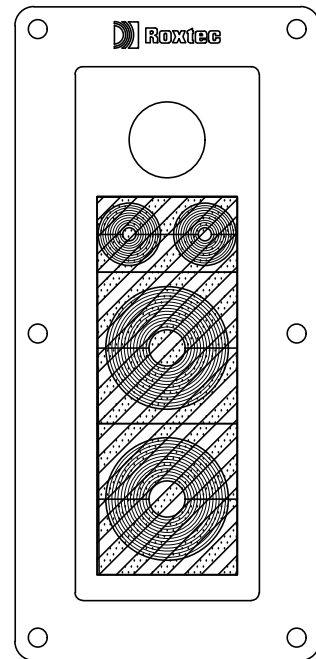
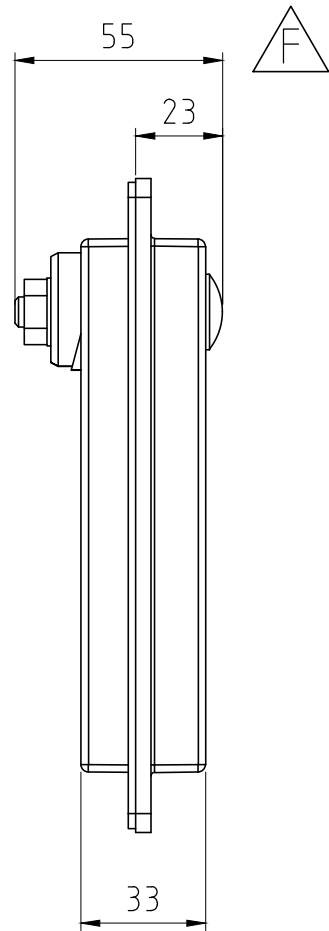
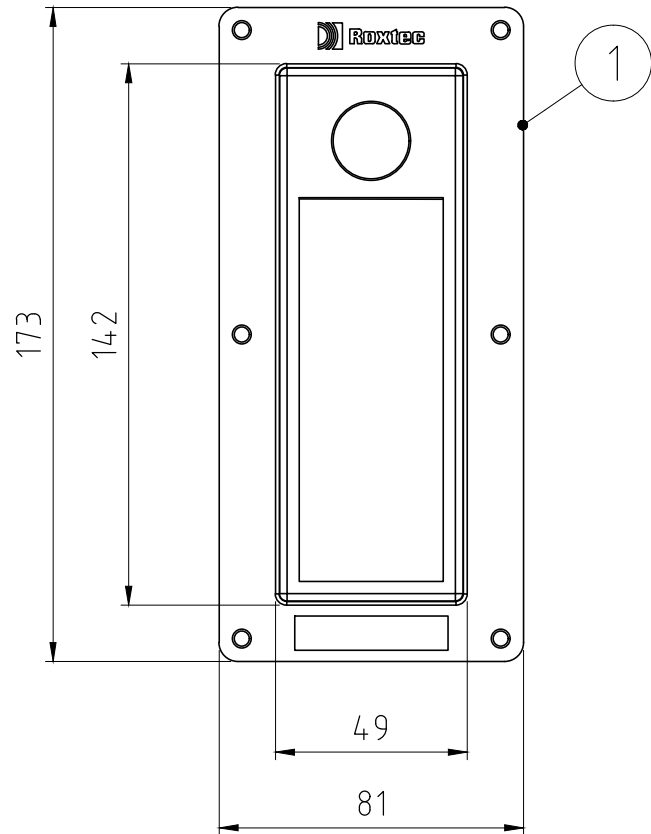
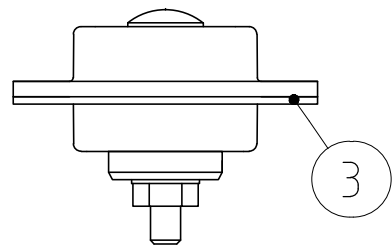


洛克赛克保留所有权利。未经授权严禁复制、使用以及向第三方泄露。

All rights reserved. Unauthorized reproduction, use or disclosure to third parties is strictly forbidden.

Rev 2.0

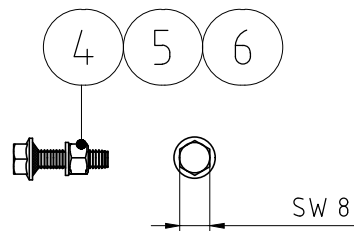
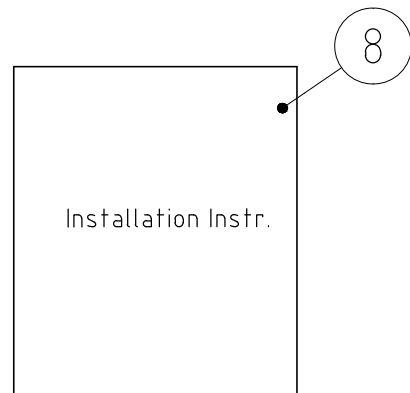
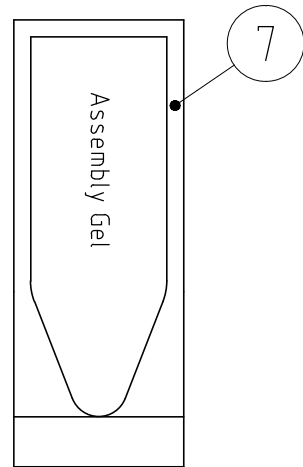


NOTE:  
 MODULES ARE AVAILABLE IN ES AND PE VERSION:  
 ES = ELECTROMAGNETIC SHIELDING (WHITE STRIPES)  
 PE = POTENTIAL EQUILAZATION (BLACK STRIPES)

COMSEAL 10/4 ES/PE		
MODULE TYPE	RANGE	QTY
20w40/30	0+3.5-16.5	1
40 10-32/30	0+9.5-32.5	2

COMSEAL 10/7 ES/PE		
MODULE TYPE	RANGE	QTY
20w40/30	0+3.5-16.5	3
40 10-32/30	0+9.5-32.5	1

COMSEAL 10/10 ES/PE		
MODULE TYPE	RANGE	QTY
20w40/30	0+3.5-16.5	5



8	1	INSTALLATION INSTRUCTION		
7	1	ASSEMBLY GEL		
6	6	NUT	M6M M5 STAINLESS	
5	6	WASHER	BRB M5 STAINLESS	
4	6	SCREW	K6S M5x20 STAINLESS	
3	1	GASKET	CONDUCTIVE	
2	1	MODULE KIT	ACCORDING TO TABLE	
1	1	FRAME	NICKELPLATED ALUMINIUM	

Item	Qty	Designation	Specification				Net Weight	
General tolerances used for manufacturing shown in document DOC-002180		Designed by	Created Date	Latest save date	Format	Scale	Sheet no	Tot Weight
		se-jenboh	2010-04-13	2021-02-11	A3	1:2		-
		Title					Projection method	
		COMSEAL 10 ES/PE					First angle	
		www.roxtec.com						
		Restricted due to	Drawing number				Rev	
		Information drawing	S1020118				F	

F	SCREW LENGTH CORRECTED	2021-01-08	se-mikgru
Rev	Type of revision	Date	Sign