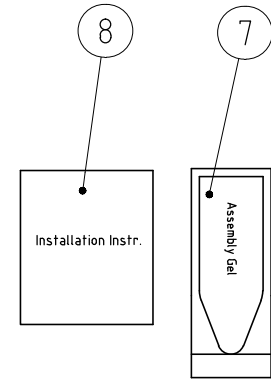
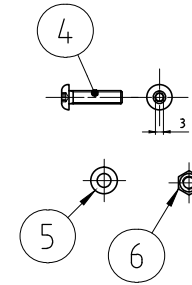
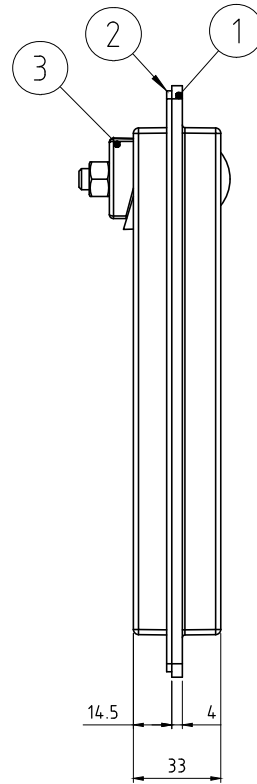
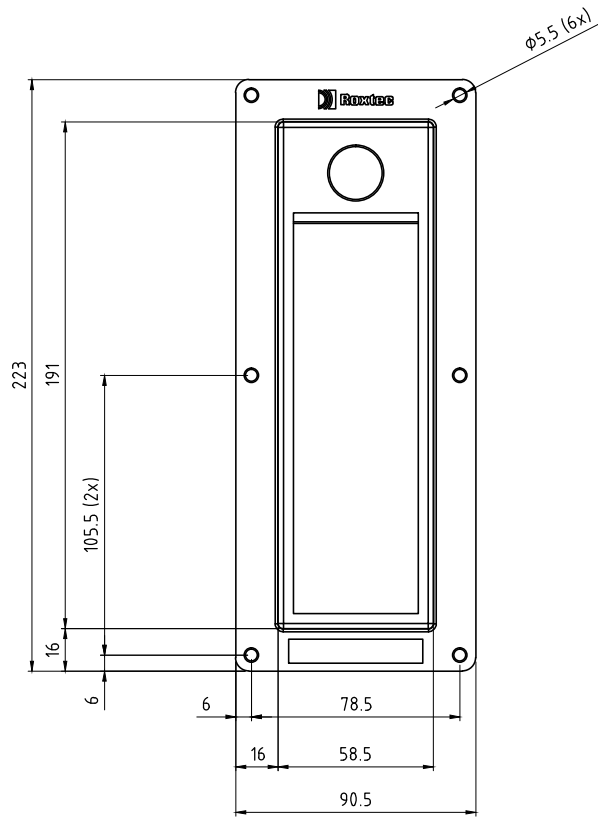




烙克塞克保留所有权利。未经授权严禁复制，  
使用以及向第三方泄露。

All rights reserved. Unauthorized reproduction, use  
or disclosure to third parties is strictly forbidden.



Item	Qty	Designation	Specification	Net Weight
8	1	INSTALLATION INSTR.		
7	1	ASSEMBLY GEL	10 ML	
6	6	NUT	M6M M5 A4-70 ISO 4032	
5	6	WASHER	M5 A4 140HV DIN 125	
4	6	SCREW	K6S M5x20 A4-70 NYSEAL	
3	1	COMPRESSION UNIT	RUBBER/AISI 316	
2	1	GASKET	CELLULAR RUBBER	
1	1	FRAME	ALU POWDER COATED RAL 7035	

General Tolerance	Welded details	General surface roughness, Ra	Designed by/date	Latest save date	Format	Scale	Sheet no	Total Weight
ISO 2768-1/2-m/K	EN ISO 5817-B	EN ISO 10042-B	se-andrek 2009-08-27	2015-03-23	A3	1:2		-
 www.roxtec.com			Title COMSEAL 15 ASSEMBLY Restricted due to Information				Projection method 	
Drawing number						S1018201		Rev
								D

Rev	Type of revision	Date	Sign
D	LUBRICANT AND INST. INSTR. ADDED.	2015-03-20	se-almbah