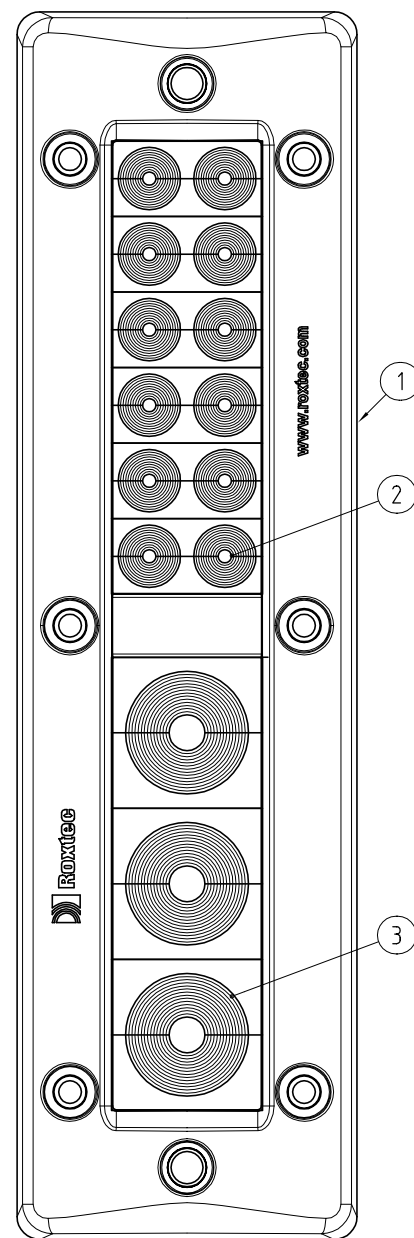


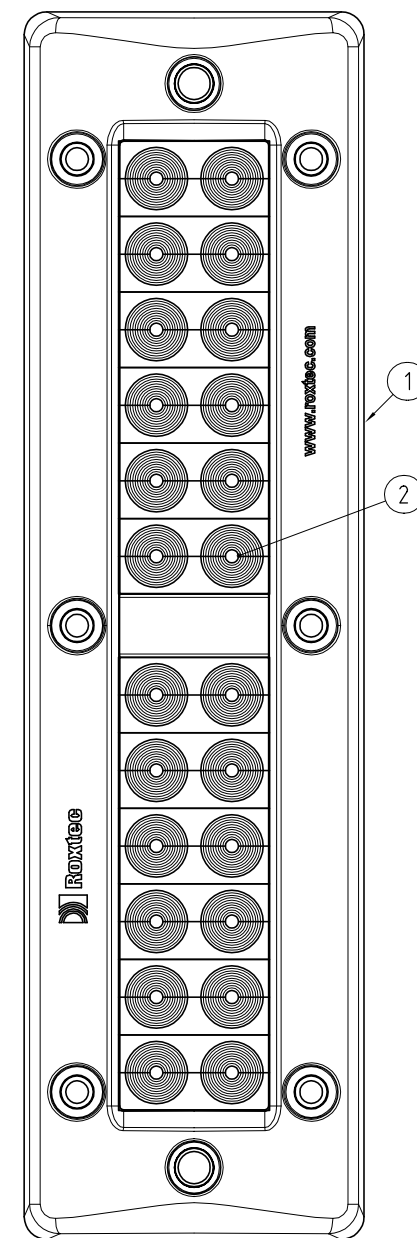
EzEntry 24/6

| Pcs | Modules |
|-----|-------------|
| 6 | CM 40/10-32 |
| | |



EzEntry 24/15

| Pcs | Modules |
|-----|-------------|
| 6 | CM 20w40 |
| 3 | CM 40/10-32 |



EzEntry 24/24

| Pcs | Modules |
|-----|----------|
| 12 | CM 20w40 |
| | |

| | | | | |
|--|-----|--------------------------|--------------------------|-------------------------------------|
| 3 | - | CM 40/10-32 | RANGE Ø 0+9.5-32.5 | - |
| 2 | - | CM 20w40 | RANGE Ø 0+3.5-16.5 | - |
| 1 | - | EZENTRY 24 FRAME | | - |
| Item | Qty | Designation | Specification | Net Weight |
| ROXTEC INTERNATIONAL AB | | Designed by: S MILTON | Date: 2009-05-18 | General Remarks: (if any) |
| BOX 540 S-371 23 Karlskrona | | Checked by: AN KARLSSON | Format: A1 | General surface treatment: (if any) |
| TEL: +46 455 960700 FAX: +46 455 82012 | | Approved by: AN KARLSSON | Scale: 1:1 | Projection method: (if any) |
| Restricted due to: | | Information Drawing | Title: EZENTRY 24 KITS | Rev: (if any) |
| | | | Drawing number: S1017357 | |

| Rev | Type of revision | Date | Sign |
|-----|------------------|------|------|
| - | - | - | - |