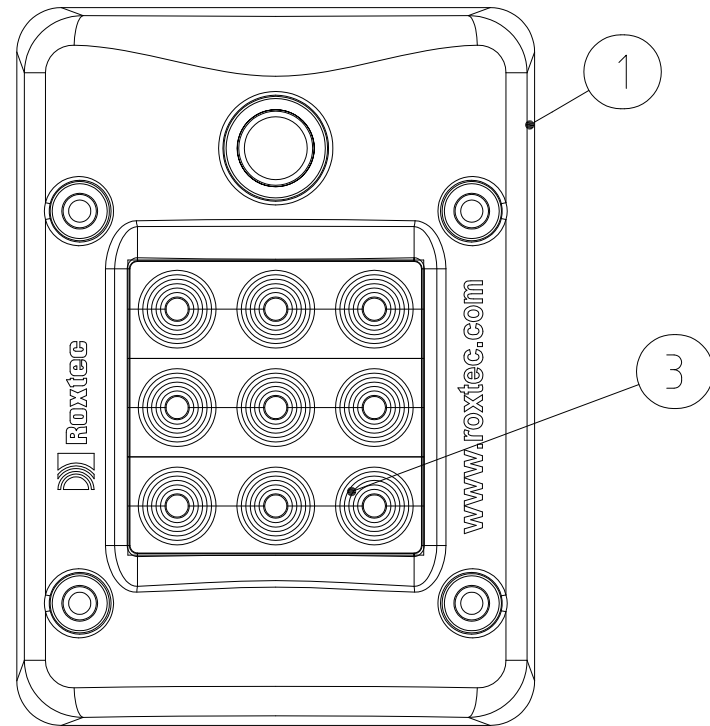
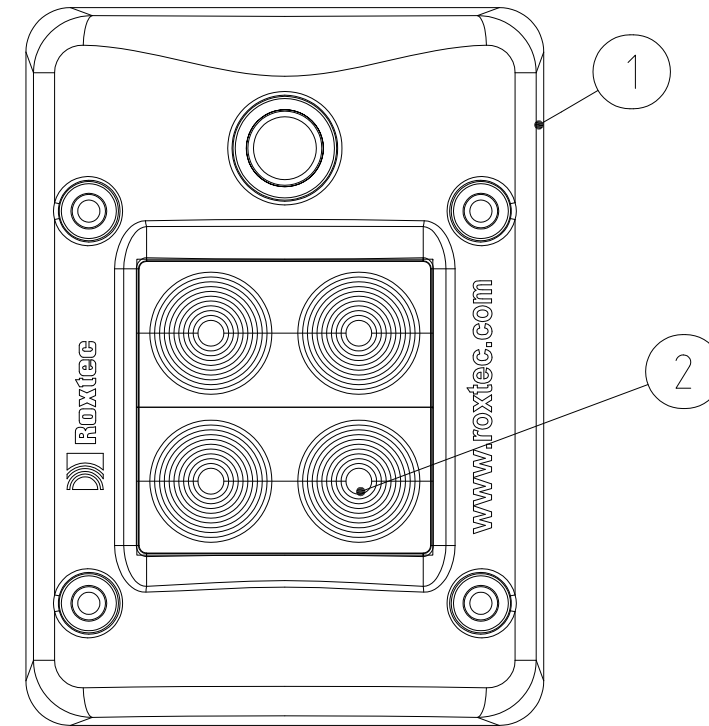


We reserve all rights in this document and in the information contained therein. Reproduction, use or disclosure to third parties without express authority is strictly forbidden. ©ROXTEC INTERNATIONAL AB



EzEntry 4/9

Pcs	Modules
3	EM 13.3w40



EzEntry 4/4

Pcs	Modules
2	EM 20w40

3	-	EM 13.3W40	RANGE ϕ 0+3.5-10.5	-
2	-	EM 20W40	RANGE ϕ 0+3.5-16.5	-
1	-	EZENTRY 4 FRAME		-
Item	Qty	Designation	Specification	Net Weight
ROXTEC INTERNATIONAL AB BOX 540 S-371 23 Karlskrona TEL: +46 455 366700 FAX: +46 455 82012		Designed by se-stemil	Date 2009-05-18	General tolerance ISO 2768-1/2-m/K EN ISO 13920-BF
		Checked by	Format A3	Welded details EN ISO 5817-B EN ISO 10042-B
		Approved by se-jorake	Scale	General surface roughness, Ra 12,5 -
		Restricted due to	Title EZENTRY 4 KITS	
		Information Drawing	Drawing number S1017352	
				Projection method
				Rev B

B	KIT 4/9 ADDED	2013-08-12	se-henols
Rev	Type of revision	Date	Sign