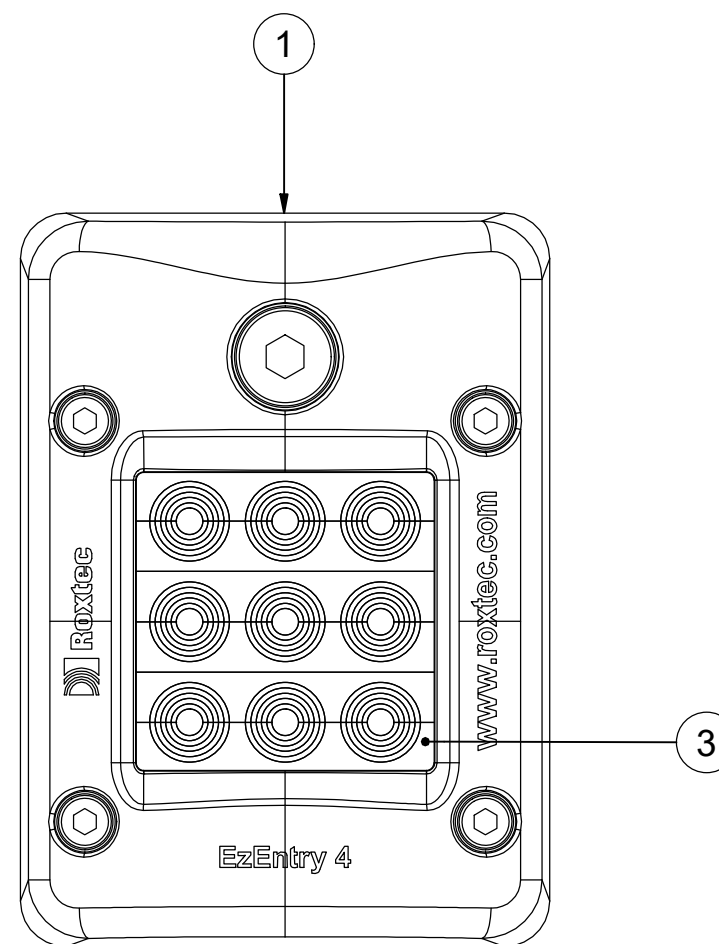

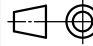


EZENTRY 4/4	
Pcs	Modules
2	GM 20W40



EZENTRY 4/9	
Pcs	Modules
3	GM 13.3W40

3	GM 13.3W40	RANGE Ø 0+3.5-10.5				
2	GM 20W40	RANGE Ø 0+3.5-16.5				
1	EZENTRY 4					
ITEM	QTY	Designation	Specification	Weight		
General tolerances used for manufacturing shown in document DOC-002180		Designed by/date se-stemil 2009-05-18	Latest save date 2024-03-27	Format A3	Scale Sheet no 1 / 1	TotWeight 0,2 kg
 www.roxtec.com		Title EZENTRY 4 KITS Restricted due to Information drawing		Projection method 	Drawing number S1017352 Rev C	

C	UPDATED LAYOUT	2024-03-01	se-linado
Rev	Type of revision	Date	Sign