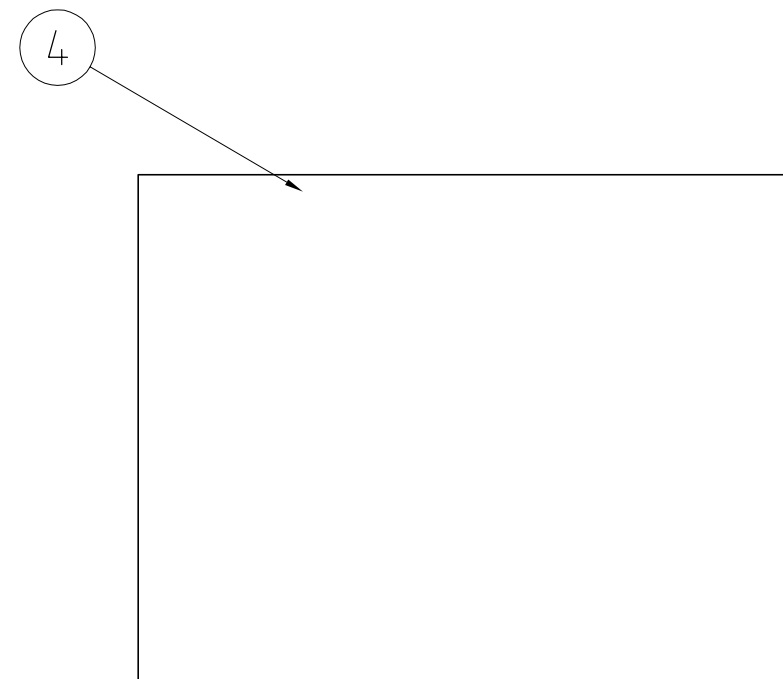
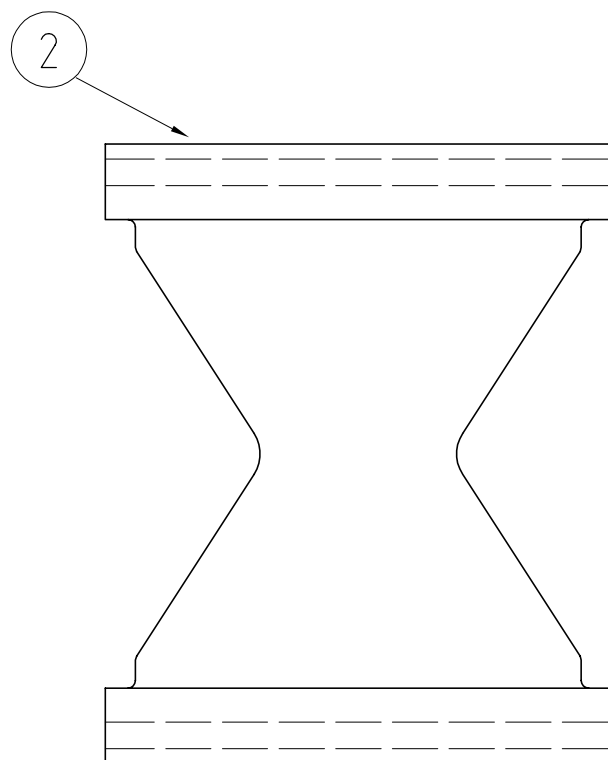
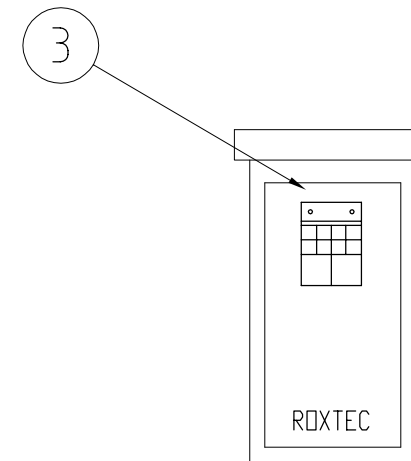
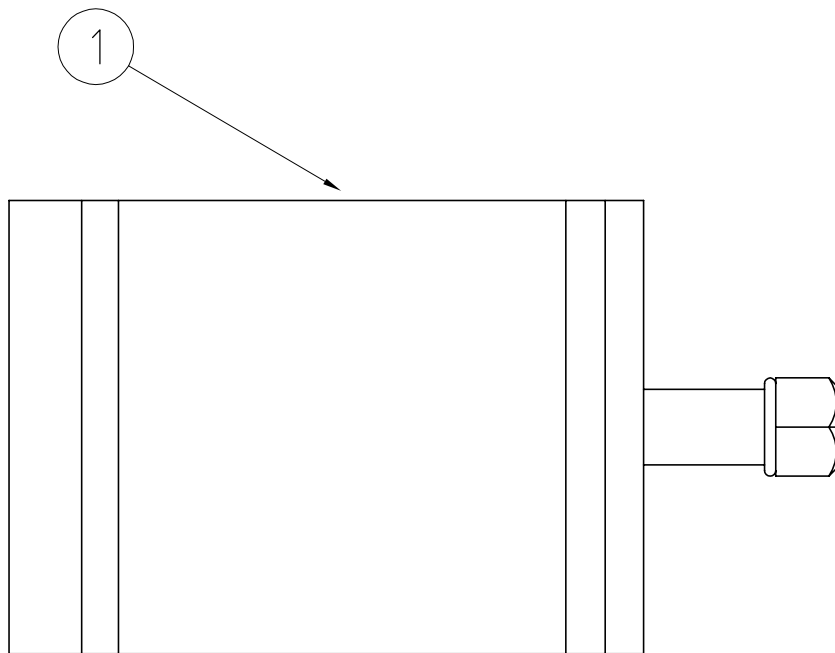
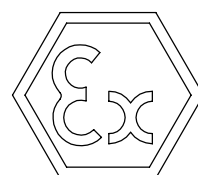

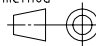


We reserve all rights in this document and in the information contained therein. Reproduction, use or disclosure to third parties without express authority is strictly forbidden. ©ROXTEC INTERNATIONAL AB



TYPE	MATERIAL
-01	GALVANIZED
-02	AISI 316



4	1	ASSEMBLY INSTRUCTION	-	-	
3	1	LUBRICANT	-	-	
2	5	STAYPLATE 60	S1004866 - 02/04	-	
1	1	ROXTEC WEDGE 60	S1004806 - 01/02	-	
Item	Qty	Designation	Specification	Net Weight	
ROXTEC INTERNATIONAL AB BOX 540 S-371 23 Karlskrona TEL: +46 455 366700 FAX: +46 455 82012		Designed by <b>M PRZYBYLA</b> Checked by <b>J AKESSON</b> Approved by <b>J AKESSON</b>	Date 2009-03-11 Format A3 Scale 1:1	General tolerance ISO 2768-1 m Welded details SS-EN 25 817 SS-EN 30 042 C General surface roughness, Ra -	Tot Weight -
		Title WEDGE KIT 60 EX ASSEMBLY		Projection method 	
Restricted due to INFORMATION DRAWING			Drawing number S1016672	Rev -	

Rev	Type of revision	Date	Sign
-	-		