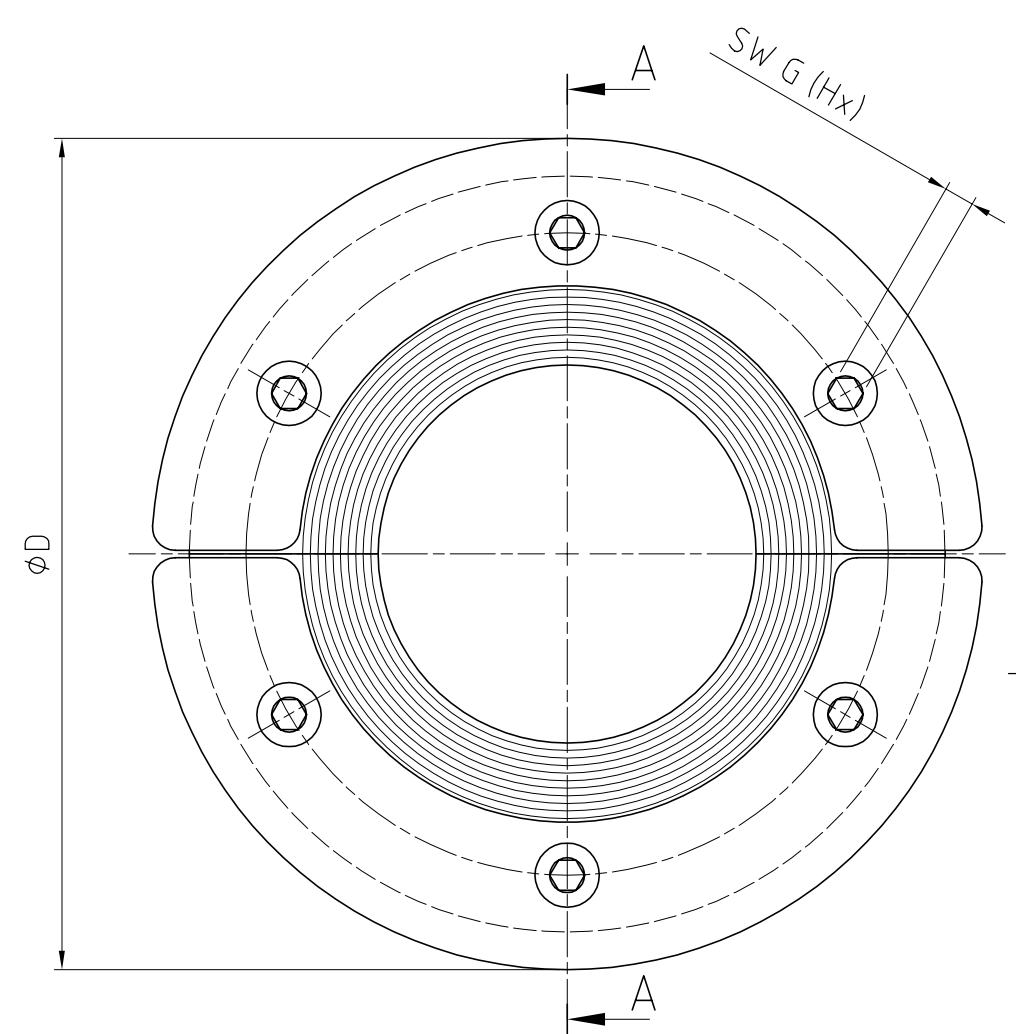
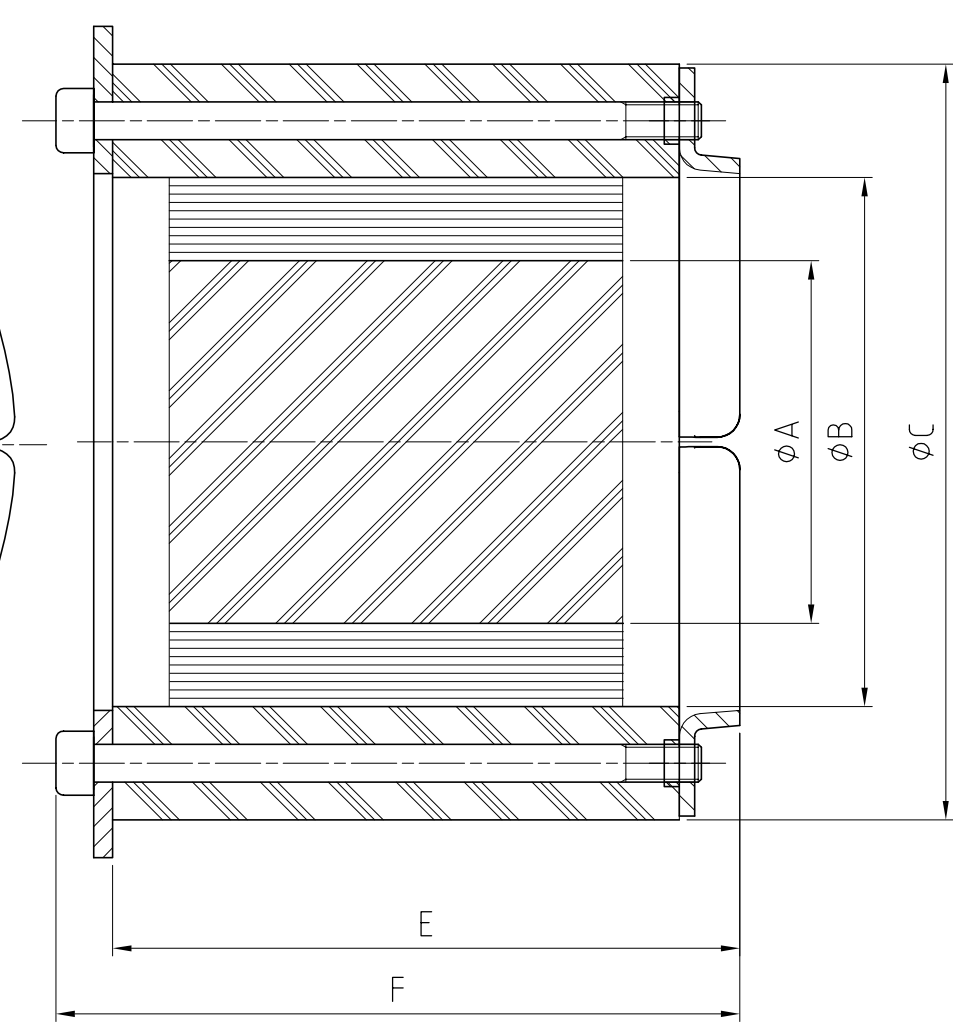
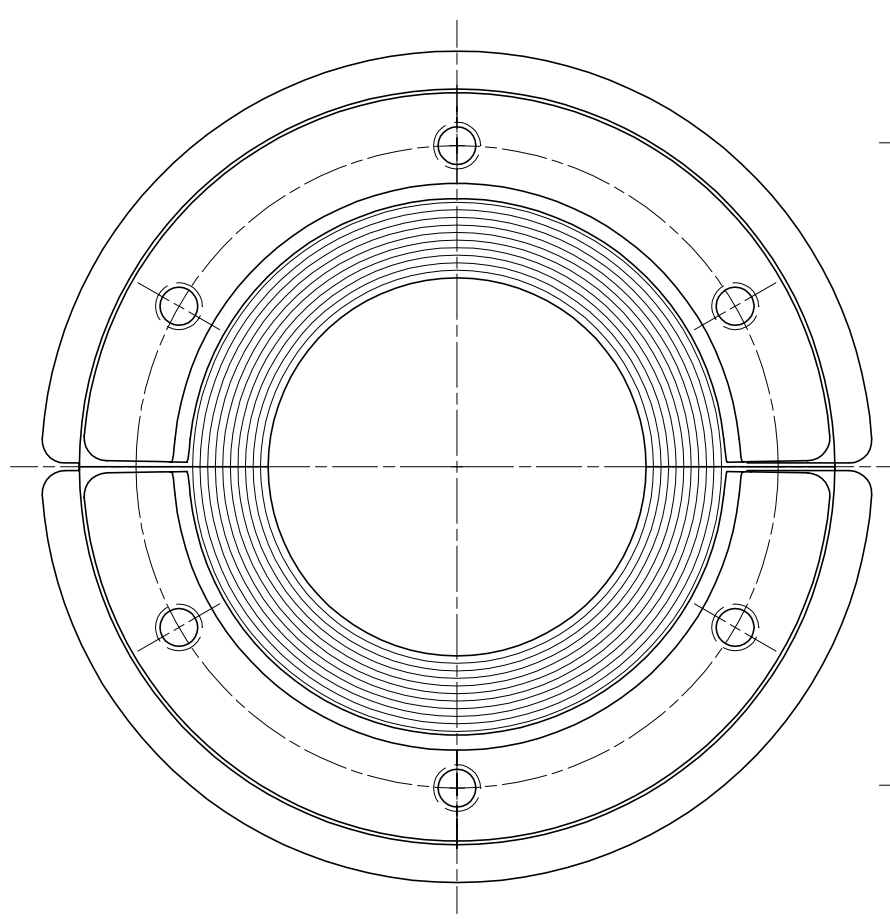
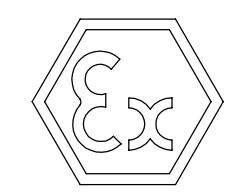


TYPE	A (MM/")	B (MM/")	C (MM/")	D (MM/")	E (MM/")	F (MM/")	G (MM/")	H (QTY.)
RS 100	48/1.890	70/2.756	100/3.937	110/4.331	83/3.268	90/3.543	4/0.157	6
RS 125	66/2.598	99/3.858	125/4.913	145/5.709	83/3.268	92/3.622	5/0.197	6
RS 150 WOC	93/3.676	119/4.685	150/5.906	170/6.693	85/3.346	94/3.701	5/0.197	8



A-A



We reserve all rights in this document and in the information contained therein. Reproduction, use or disclosure to third parties without express authority is strictly forbidden. ©ROXTEC INTERNATIONAL AB

Rev	Type of revision	Date	Sign
-	-		

Item	Qty	Designation	Specification				Net Weight
ROXTEC INTERNATIONAL AB BOX 540 S-371 23 Karlskrona TEL: +46 455 366700 FAX: +46 455 82012		Designed by <b>M PRZYBYLA</b> Checked by <b>J AKESSON</b> Approved by <b>J AKESSON</b>	Date 2009-03-10	General tolerance ISO 2768-1/2-m/K EN ISO 13920-BF	Welded details EN ISO 5817-B EN ISO 10042-B	General surface roughness, Ra 12,5	Tot Weight -
		Format A3	Title RS 100-150 EX	Projection method 			
		Scale 1:1	ASSEMBLY	Drawing number S1016611		Rev -	
		Restricted due to INFORMATION DRAWING					

