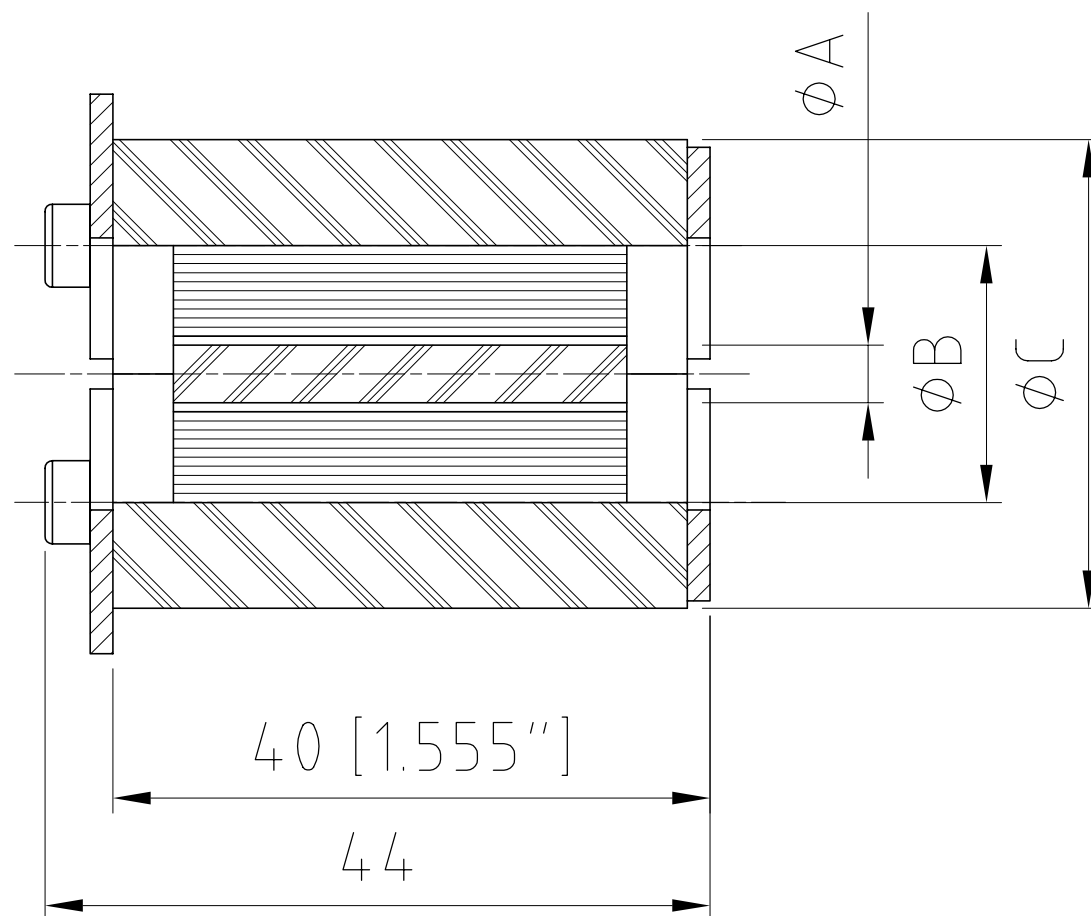
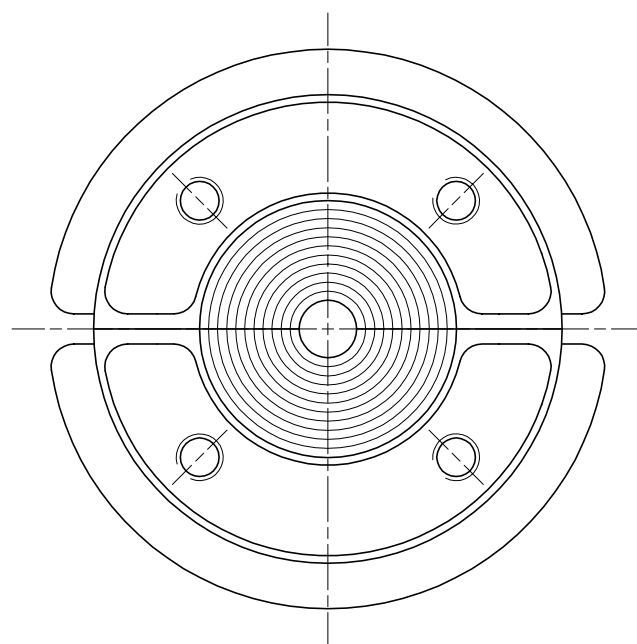
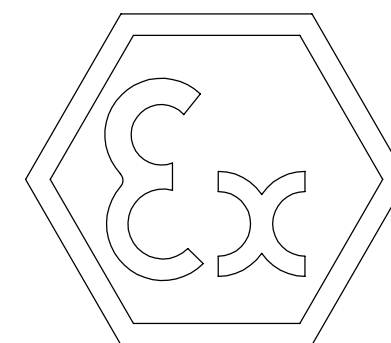
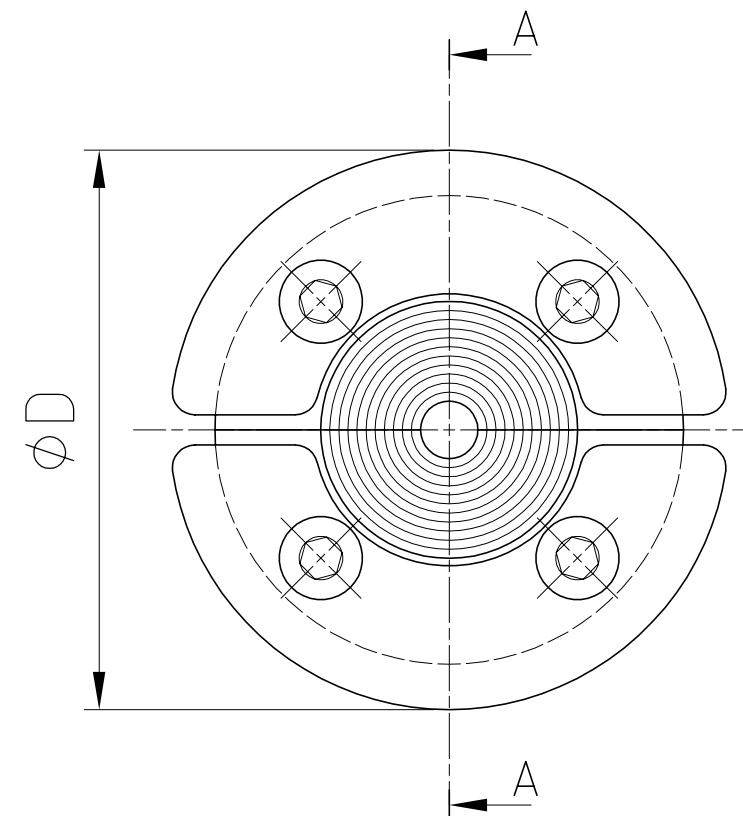


We reserve all rights in this document and in the information contained therein. Reproduction, use or disclosure to third parties without express authority is strictly forbidden. ©ROXTEC INTERNATIONAL AB

TYPE	A (MM/")	B (MM/")	C (MM/")	D (MM/")
RS 23	3.6/0.142	10.8/0.425	23/0.902	29/1.142
RS 25	3.6/0.142	12/0.472	25/0.969	30/1.181
RS 31	4/0.150	17/0.669	31/1.220	37/1.457



A-A



Rev	Type of revision	Date	Sign
-	-		

Item	Qty	Designation	Specification			Net Weight	
ROXTEC INTERNATIONAL AB BOX 540 S-371 23 Karlskrona TEL: +46 455 366700 FAX: +46 455 82012		Designed by M PRZYBYLA	Date 2009-03-10	General tolerance ISO 2768-1/2-m/K	Welded details EN ISO 5817-B EN ISO 10042-B	General surface roughness, Ra 12,5	Tot Weight -
		Checked by J AKESSON	Format A3	Title RS EX 23-31		Projection method 	
		Approved by J AKESSON	Scale 2:1	ASSEMBLY		Rev -	
		Restricted due to INFORMATION DRAWING		Drawing number S1016609			