

格克塞克保留所有权利。未经授权严禁复制、使用以及向第三方泄露。

All rights reserved. Unauthorized reproduction, use or disclosure to third parties is strictly forbidden.

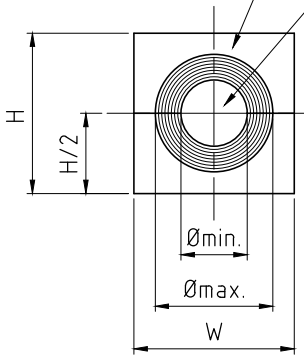
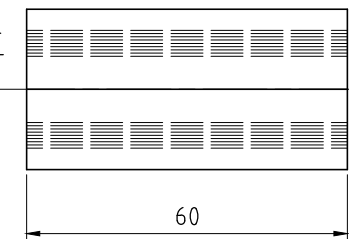
TYPE	W (MM)	H (MM)	Ømin. (MM)	Ømax. (MM)
RM 15 Ex	15	15	3	11
RM 15w40 Ex	40	15	3.5	10.5
RM 20 Ex	20	20	4	14.5
RM 20w40 Ex	40	20	3.5	16.5
RM 30 Ex	30	30	10	25
RM 40 Ex	40	40	21.5	34.5
RM 40 10-32 Ex	40	40	9.5	32.5
RM 60 Ex	60	60	28	54
RM 60 24-54 Ex	60	60	24	54
RM 80 Ex	80	80	48	71
RM 90 Ex	90	90	48	71
RM 120 Ex	120	120	67.5	99
RM 60 WOC Ex	60	60	28	54
RM 80 WOC Ex	80	80	48	71
RM 90 WOC Ex	90	90	48	71
RM 120 WOC Ex	120	120	67.5	99
RM 30H90 Ex	30	90	10	25
RM 40H80 Ex	40	80	21.5	34.5



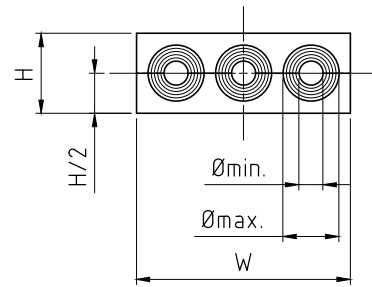
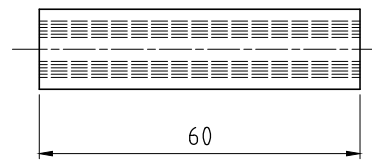
1 2

WOC = WITHOUT CORE

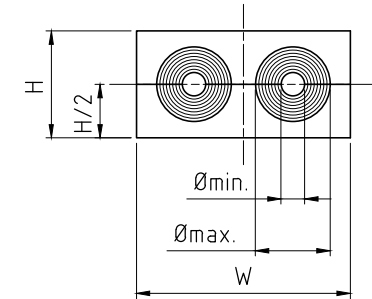
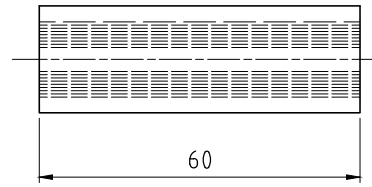
ALL TYPES EXCEPT
RM 20w40
RM 15w40
1 CABLE/MODULE



RM 15w40
3 CABLES/MODULE



RM 20w40
2 CABLES/MODULE



F	RM 40H80 WIDTH CORRECTED	2023-08-04	se-perkas
Rev	Type of revision	Date	Sign

2	-	CORE	ROXYLON	-
1	-	PROFILE	ROXYLON	-
Item	Qty	Designation	Specification	Net Weight
General tolerance ISO 2768-1/2-M/K EN ISO 13928-BF	Welded details EN ISO 5817-B EN ISO 10042-B	General surface roughness, Ra 12.5	Designed by se-marprz Created Date 2009-03-10 Latest save date 2023-08-04 Format A3 Scale 1:1 Sheet no	Tot Weight -
 www.roxtec.com		Title RM Ex MODULES ASSEMBLY Restricted due to Information drawing		Projection method Drawing number S1016608 Rev F