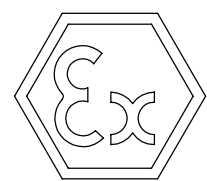
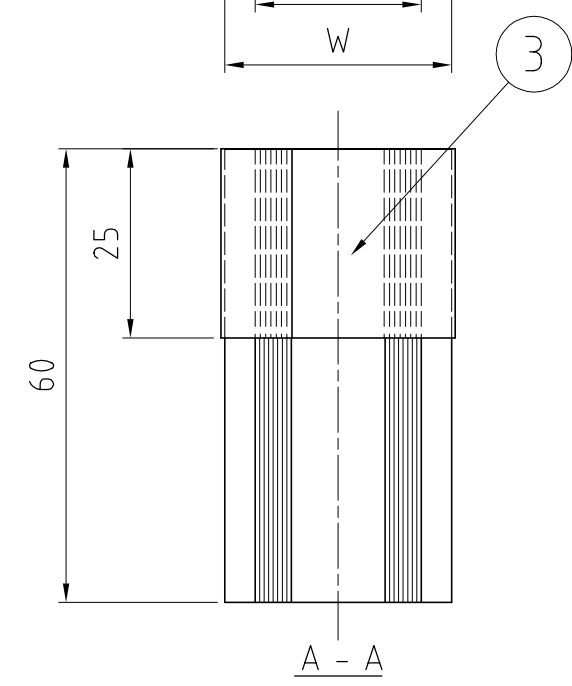
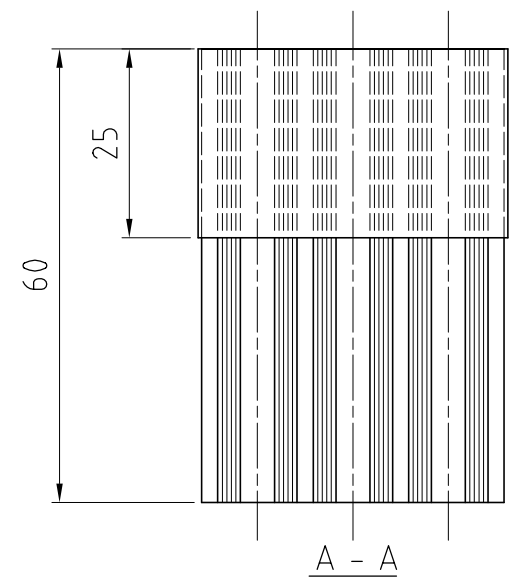
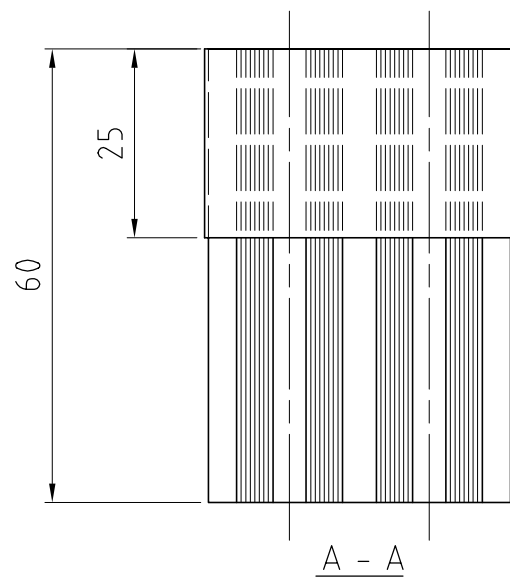
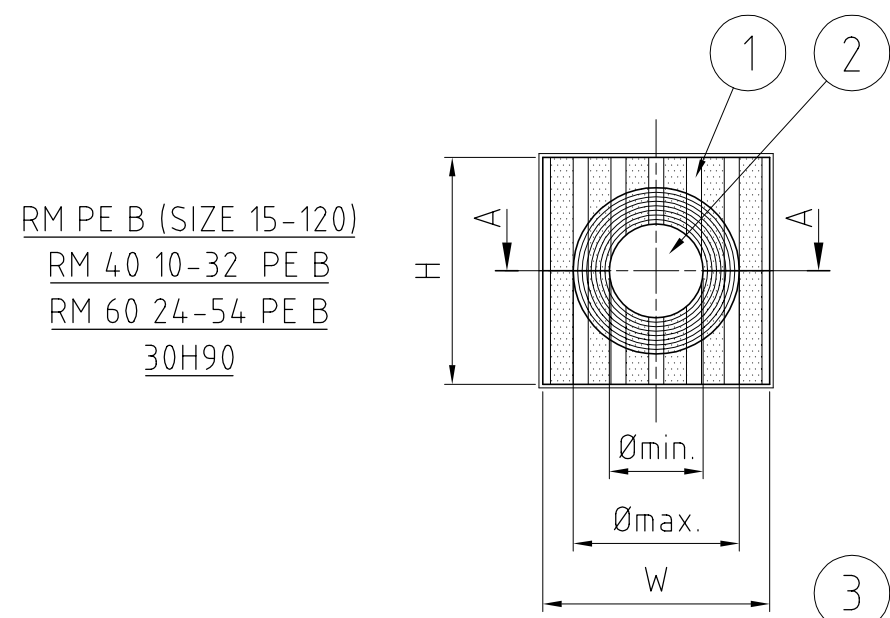
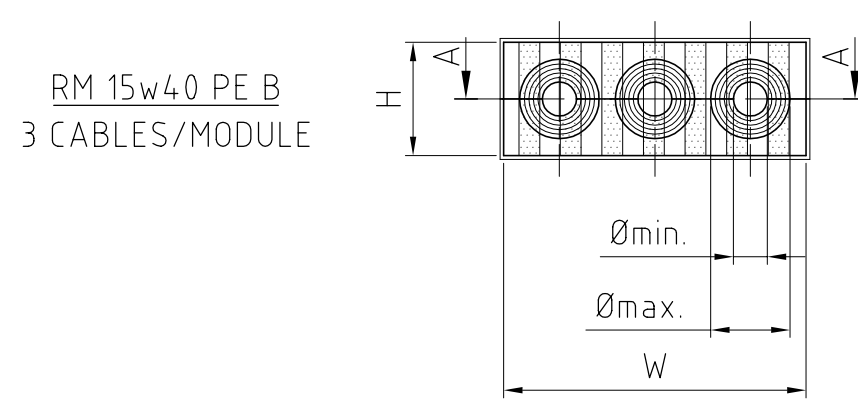
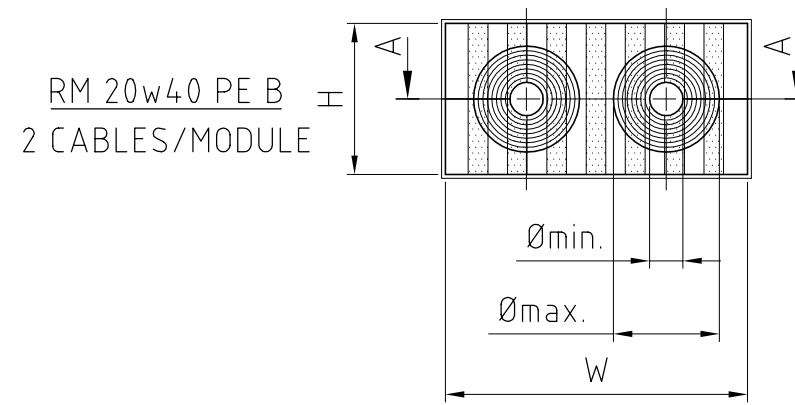


We reserve all rights in this document and in the information contained therein. Reproduction, use or disclosure to third parties without express authority is strictly forbidden. ©ROXTEC INTERNATIONAL AB

| TYPE             | W (MM) | H (MM) | Ømin. (MM) | Ømax. (MM) |
|------------------|--------|--------|------------|------------|
| RM 15 PE B       | 15     | 15     | 3          | 11         |
| RM 15w40 PE B    | 15     | 40     | 3.5        | 10.5       |
| RM 20 PE B       | 20     | 20     | 4          | 14.5       |
| RM 20w40 PE B    | 20     | 40     | 3.5        | 16.5       |
| RM 30 PE B       | 30     | 30     | 10         | 25         |
| RM 40 PE B       | 40     | 40     | 21.5       | 34.5       |
| RM 40 10-32 PE B | 40     | 40     | 9.5        | 32.5       |
| RM 60 PE B       | 60     | 60     | 28         | 54         |
| RM 60 24-54 PE B | 60     | 60     | 24         | 54         |
| RM 90 PE B       | 90     | 90     | 48         | 71         |
| RM 120 PE B      | 120    | 120    | 67.5       | 99         |
| 30H90            | 30     | 90     | 10         | 25         |



NOTE: 60, 90 AND 120 MODULES AVAILABLE WOC (WITHOUT CORE).

| Rev | Type of revision | Date       | Sign |
|-----|------------------|------------|------|
| -   | -                | 2007-04-25 |      |

| Item   | Qty | Designation   | Specification                                      | Net Weight   |  |
|--|-----|---|--|--|--|
| 3  | -   | CONDUCTIVE TAPE   | -  | -  |  |
| 2  | -   | CORE  | ROXYLON  | -  |  |
| 1  | -   | RUBBER  | ROXYLON  | -  |  |
| ROXTEC INTERNATIONAL AB<br>BOX 540 S-371 23 Karlskrona<br>TEL: +46 455 366700 FAX: +46 455 82012 |     | Designed by<br><b>M PRZYBYLA</b><br>Checked by<br><b>J AKESSON</b><br>Approved by<br><b>J AKESSON</b> | Date<br>2009-03-10<br>Format<br>A3<br>Scale<br>1:1 | General tolerance<br>DIN ISO 2768-1/2-m/K<br>Welded details<br>EN ISO 5817-B<br>EN ISO 10042-B<br>General surface roughness, Ra 12,5 | Total Weight<br>-<br>Projection method<br> |
|  |     | Restricted due to<br>INFORMATION DRAWING  | Title<br>RM PE B EX MODULES<br>ASSEMBLY            | Drawing number<br>S1016606<br>Rev<br>-   |  |