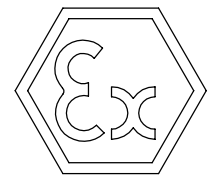
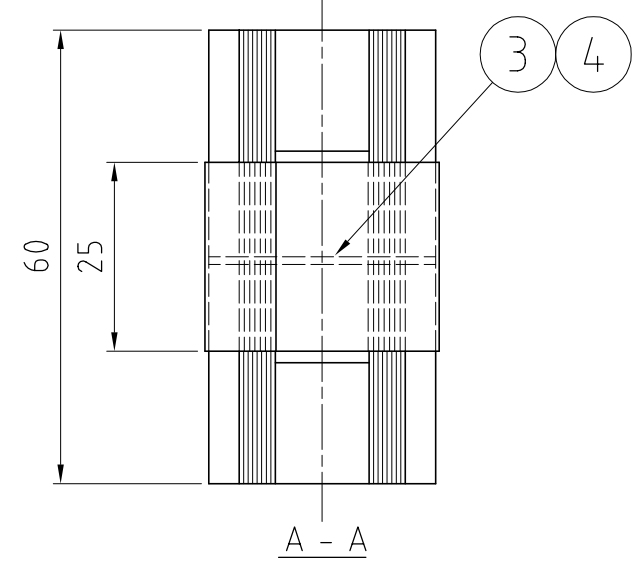
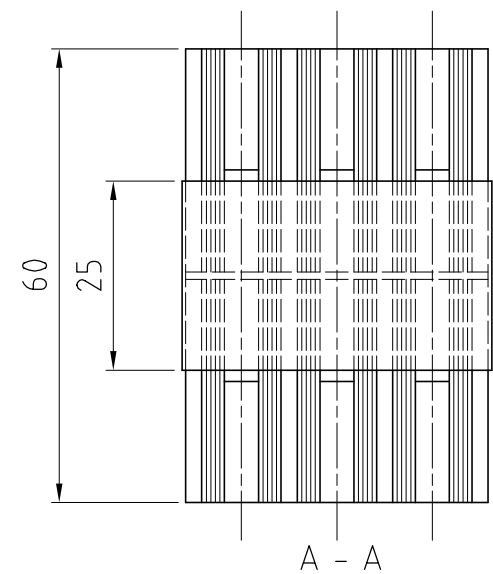
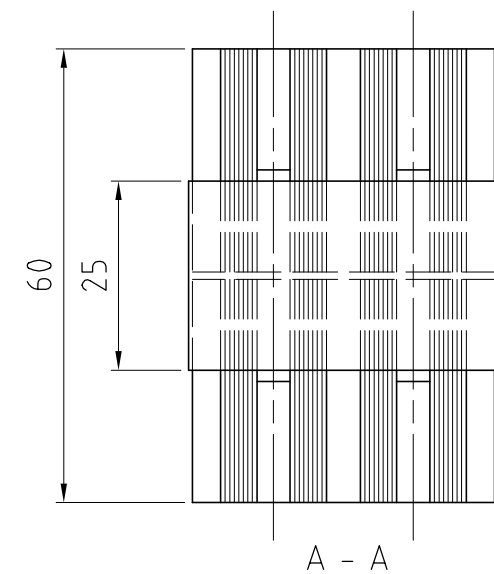
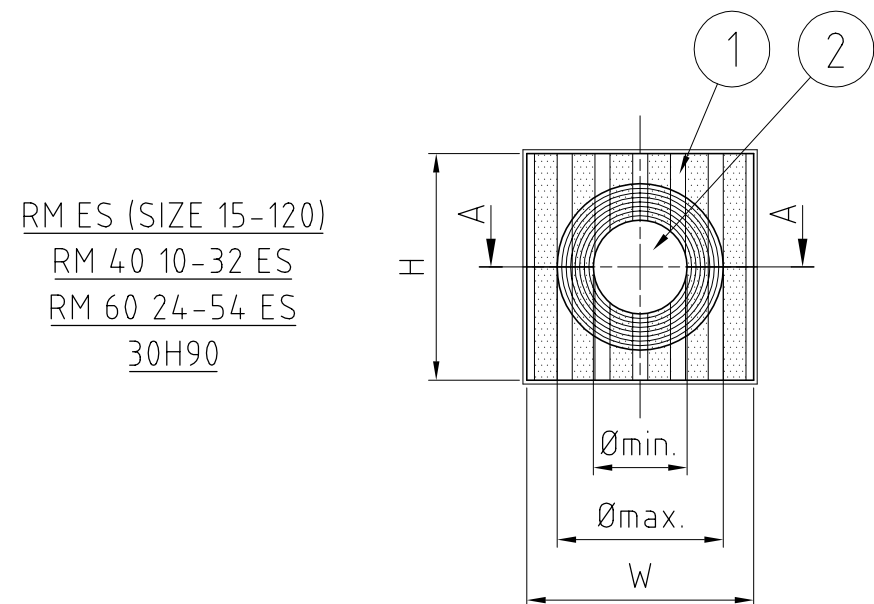
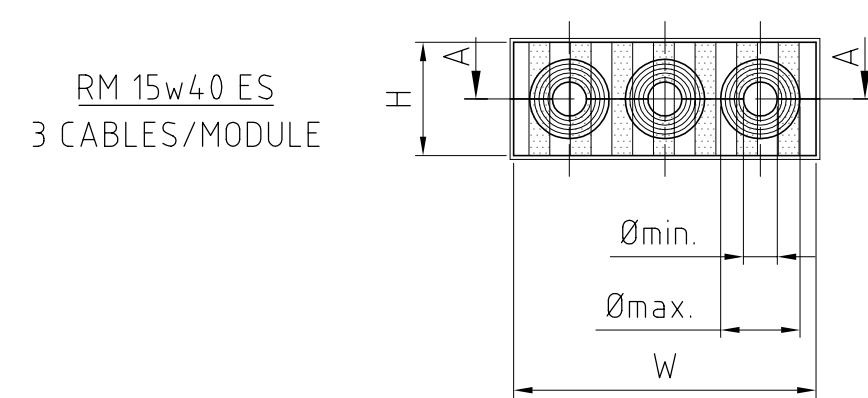
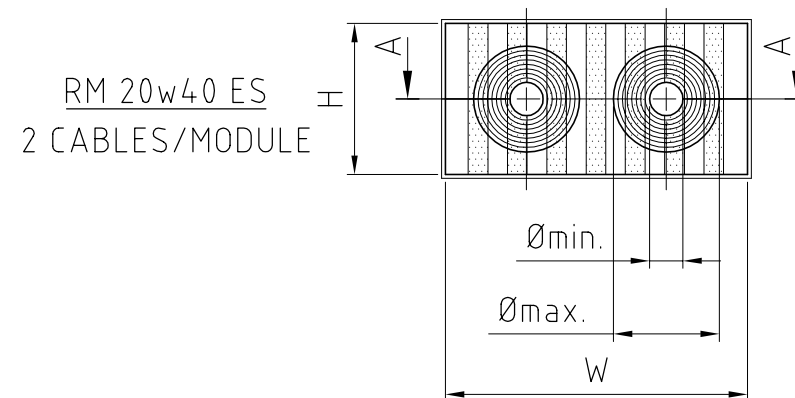


We reserve all rights in this document and in the information contained therein. Reproduction, use or disclosure to third parties without express authority is strictly forbidden. ©ROXTEC INTERNATIONAL AB

TYPE	W (MM)	H (MM)	Ømin. (MM)	Ømax. (MM)
RM 15 ES	15	15	3	11
RM 15w40 ES	15	40	3.5	10.5
RM 20 ES	20	20	4	14.5
RM 20w40 ES	20	40	3.5	16.5
RM 30 ES	30	30	10	25
RM 40 ES	40	40	21.5	34.5
RM 40 10-32 ES	40	40	9.5	32.5
RM 60 ES	60	60	28	54
RM 60 24-54 ES	60	60	24	54
RM 90 ES	90	90	48	71
RM 120 ES	120	120	67.5	99
30H90	30	90	10	25



NOTE: 60, 90 AND 120 MODULES AVAILABLE WOC (WITHOUT CORE).

4	-	CONDUCTIVE RUBBER	-	-	
3	-	CONDUCTIVE TAPE	-	-	
2	-	CORE	ROXYLON	-	
1	-	RUBBER	ROXYLON	-	
Item	Qty	Designation	Specification	Net Weight	
ROXTEC INTERNATIONAL AB BOX 540 S-371 23 Karlskrona TEL: +46 455 366700 FAX: +46 455 82012		Designed by <b>M PRZYBYLA</b> Checked by <b>J AKESSON</b> Approved by <b>J AKESSON</b>	Date 2009-03-10 Format A3 Scale 1:1	General tolerance DIN ISO 2768-1/2-m/K DIN ISO 13920-BF Welded details EN ISO 5817-B EN ISO 10042-B General surface roughness, Ra 12,5	TotWeight - Projection method 
		Restricted due to INFORMATION DRAWING	Title RM ES EX MODULES ASSEMBLY Drawing number S1016604	Rev -	

Rev	Type of revision	Date	Sign
-	-		