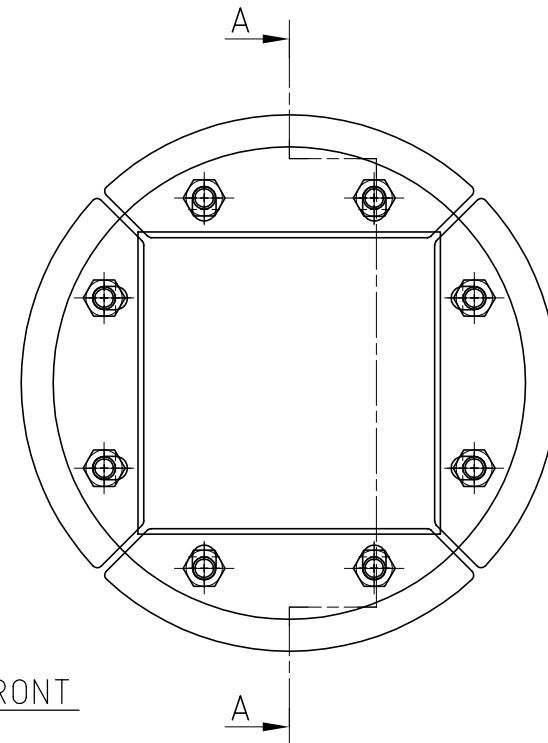
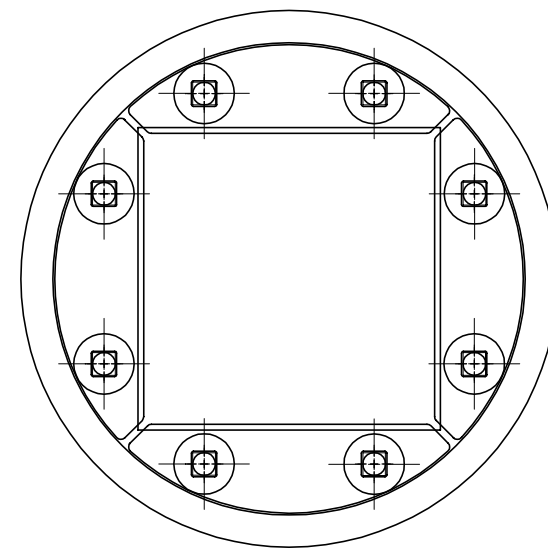
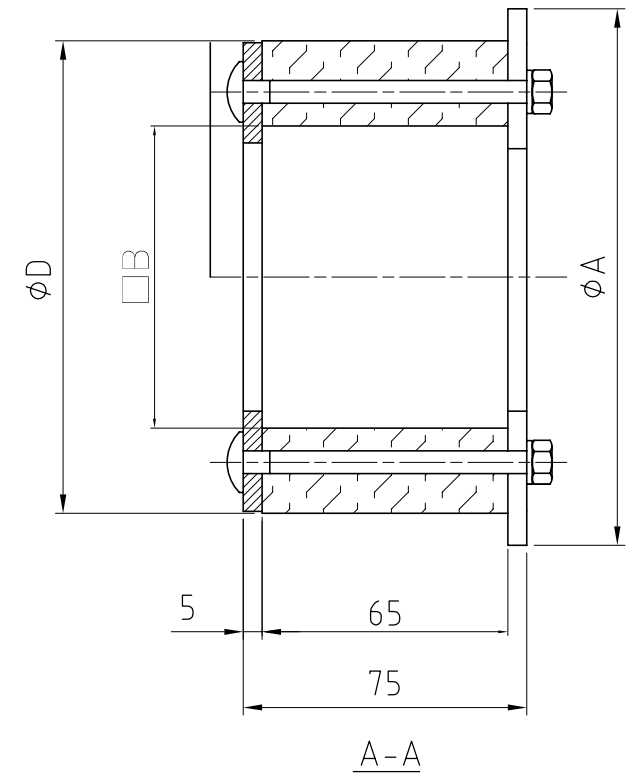


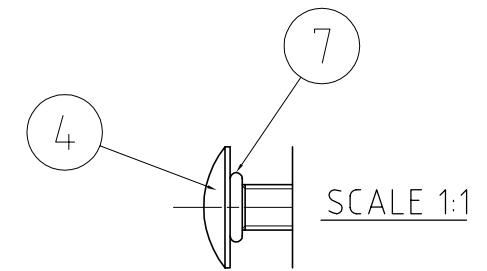
| TYPE  | A (MM) | B (MM) | D (MM) |
|-------|--------|--------|--------|
| R 125 | 142    | 80     | 125    |
| R 127 | 142    | 80     | 127    |
| R 150 | 165    | 90     | 150    |
| R 200 | 213    | 120    | 200    |



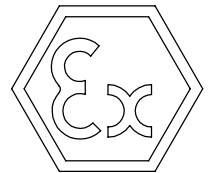
VIEW FRONT



VIEW REAR


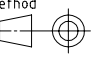


NOTE: SCREWS SHALL BE LUBRICATED



We reserve all rights in this document and in the information contained therein. Reproduction, use or disclosure to third parties without express authority is strictly forbidden. ©ROXTEC INTERNATIONAL AB

| Rev | Type of revision | Date | Sign |
|-----|------------------|------|------|
| -   | -                |      |      |

| Item   | Qty | Designation   | Specification              |   |   |  | Net Weight      |
|--|-----|---|----------------------------|---|---|--|-----------------|
| ROXTEC INTERNATIONAL AB<br>BOX 540 S-371 23 Karlskrona<br>TEL: +46 455 366700 FAX: +46 455 82012 |     | Designed by<br><b>M PRZYBYLA</b><br>Checked by<br><b>J AKESSON</b><br>Approved by<br><b>J AKESSON</b> | Date<br>2009-03-10         | General tolerance<br>ISO 2768-1/2-m/K<br>EN ISO 13920-BF                              | Welded details<br>EN ISO 5817-B<br>EN ISO 10042-B | General surface<br>roughness, Ra<br>12,5 | Tot Weight<br>- |
|             |     | Format<br>A3  | Title<br>R125-200 EX       |  |   |  |                 |
|  |     | Scale<br>1:2  | ASSEMBLY                   |   |   |  |                 |
| -  |     | Restricted due to<br>INFORMATION DRAWING  | Drawing number<br>S1016600 | Rev<br>-  |   |  |                 |