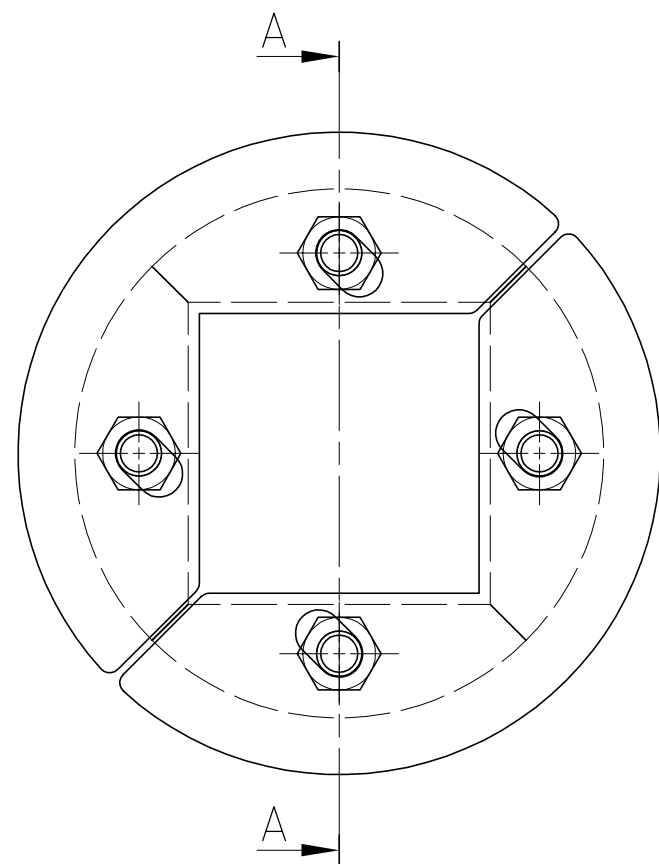
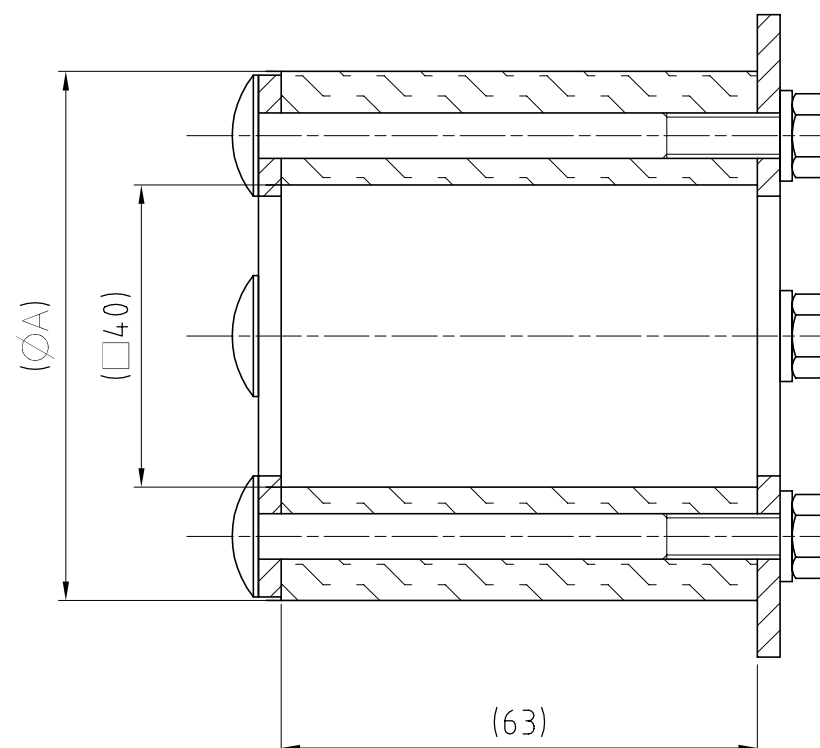


We reserve all rights in this document and in the information contained therein. Reproduction, use or disclosure to third parties without express authority is strictly forbidden. ©ROXTEC INTERNATIONAL AB

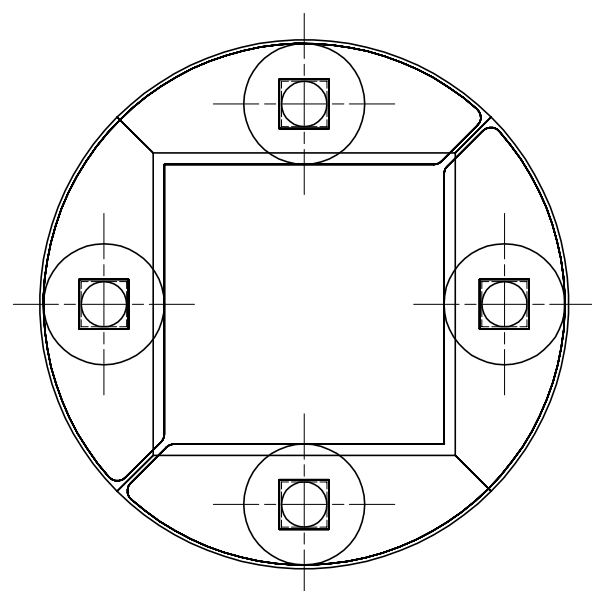
TYPE	A (MM)
R 70	70
R 75	75



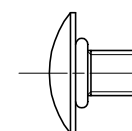
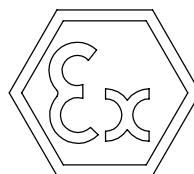
VIEW FRONT



A - A



VIEW REAR



NOTE: SCREWS SHALL BE LUBRICATED

Rev	Type of revision	Date	Sign
-	-		

Item	Qty	Designation	Specification				Net Weight
ROXTEC INTERNATIONAL AB BOX 540 S-371 23 Karlskrona TEL: +46 455 366700 FAX: +46 455 82012		Designed by M PRZYBYLA	Date 2009-03-10	General tolerance ISO 2768-1/2-m/K EN ISO 13920-BF	Welded details EN ISO 5817-B EN ISO 10042-B	General surface roughness, Ra 12,5	Tot Weight -
		Checked by J AKESSON	Format A3	Title R 70-75 EX			Projection method 
		Approved by J AKESSON	Scale 1:1	ASSEMBLY			Rev -
		Restricted due to INFORMATION DRAWING	Drawing number S1016598				