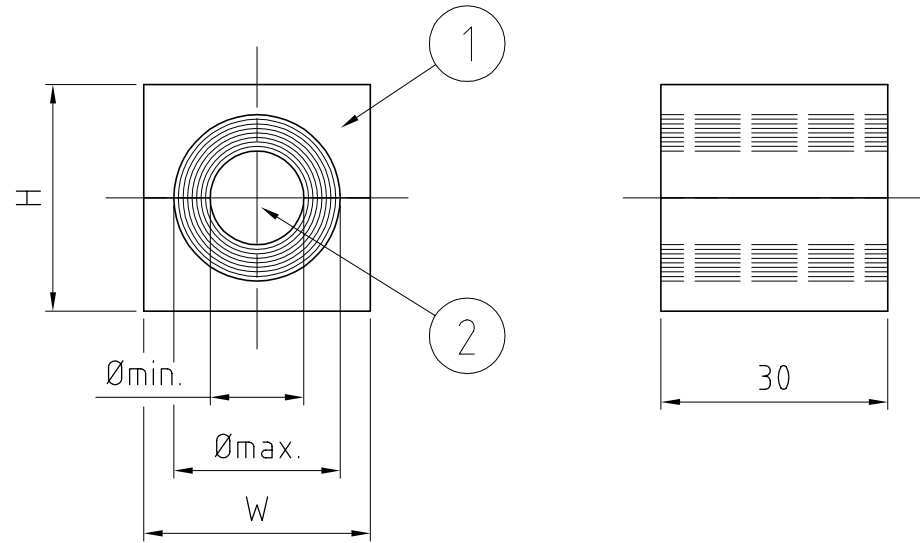
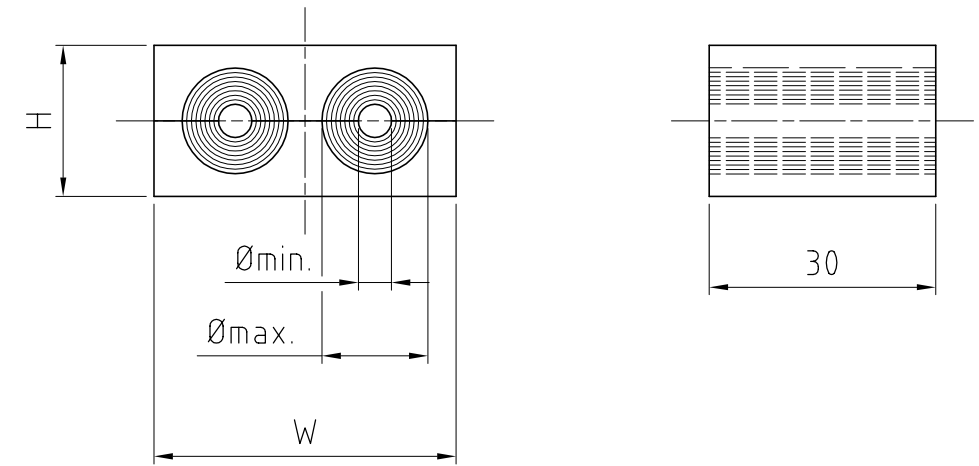


TYPE	W (MM)	H (MM)	Ømin. (MM)	Ømax. (MM)
CM 15	15	15	3	11
CM 15w40	15	40	3.5	10.5
CM 20	20	20	4	14.5
CM 20w40	20	40	3.5	16.5
CM 30	30	30	10	25
CM 30w40	40	30	10	25
CM 40	40	40	21.5	34.5
CM 40 10-32	40	40	9.5	32.5

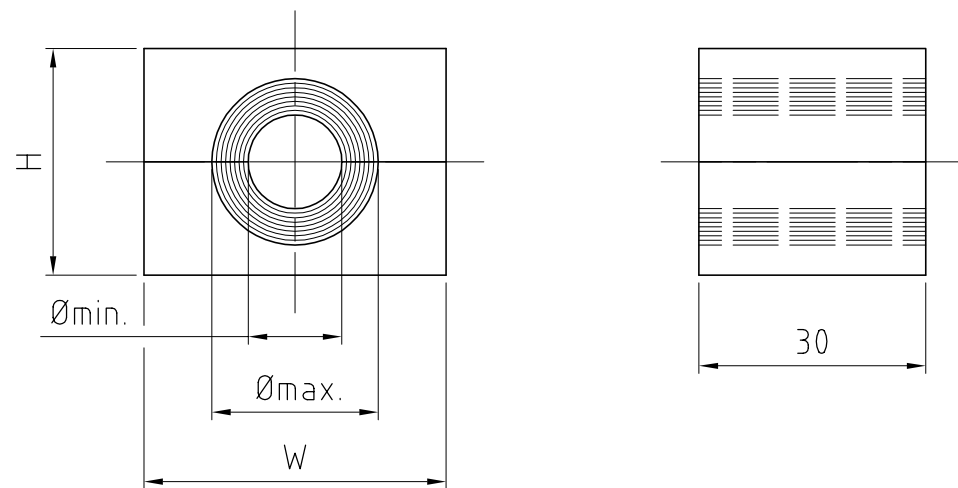
CM 30
CM 40 10-32



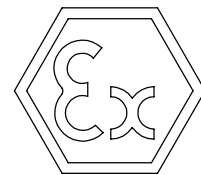
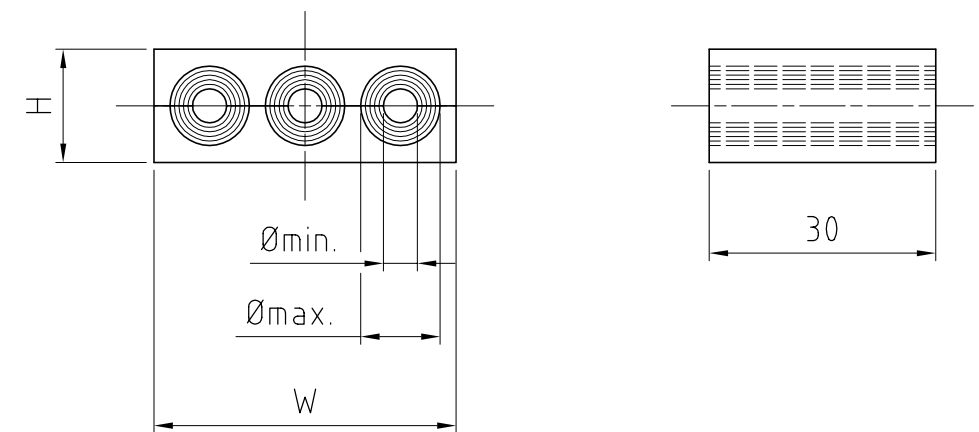
CM 20w40
2 CABLES/MODULE



CM 30w40



CM 15w40
3 CABLES/MODULE



We reserve all rights in this document and in the information contained therein. Reproduction, use or disclosure to third parties without express authority is strictly forbidden. ©ROXTEC INTERNATIONAL AB

Rev	Type of revision	Date	Sign
-	-	2007-04-25	

2	-	CORE	ROXYLON	-	
1	-	RUBBER	ROXYLON	-	
Item	Qty	Designation	Specification	Net Weight	
ROXTEC INTERNATIONAL AB BOX 540 S-371 23 Karlskrona TEL: +46 455 366700 FAX: +46 455 82012		Designed by M PRZYBYLA Checked by J AKESSON Approved by J AKESSON	Date 2009-03-06 Format A3 Scale 1:1	General tolerance DIN ISO 2768-1/2-m/K DIN ISO 13920-BF Welded details EN ISO 5817-B EN ISO 10042-B General surface roughness, Ra 12,5	Tot Weight - Projection method
		Title CM MODULES EX ASSEMBLY		Rev -	
Restricted due to INFORMATION DRAWING			Drawing number S1016544		