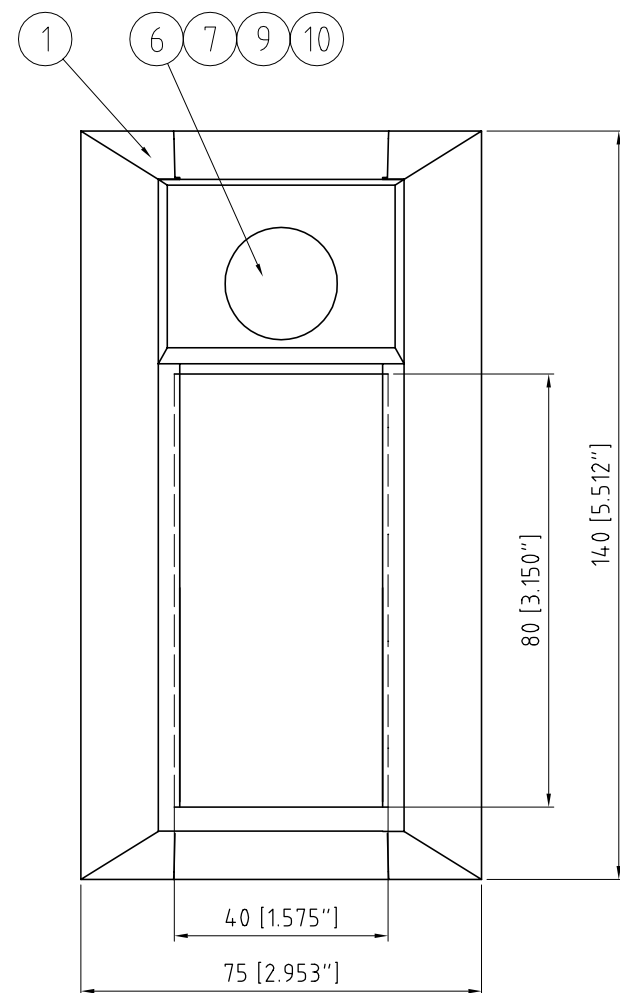
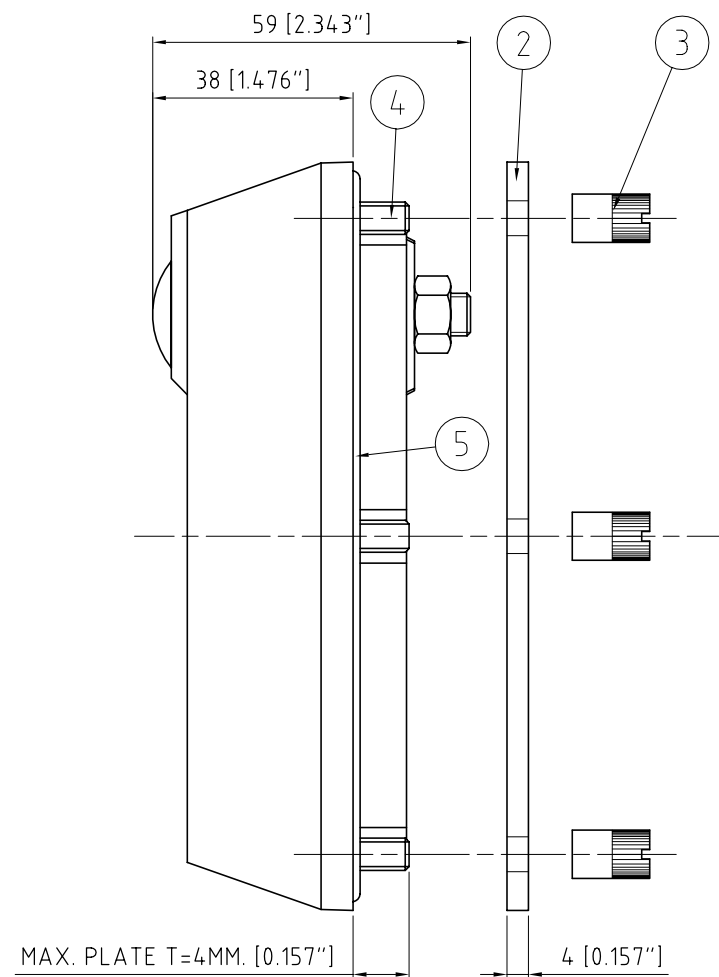
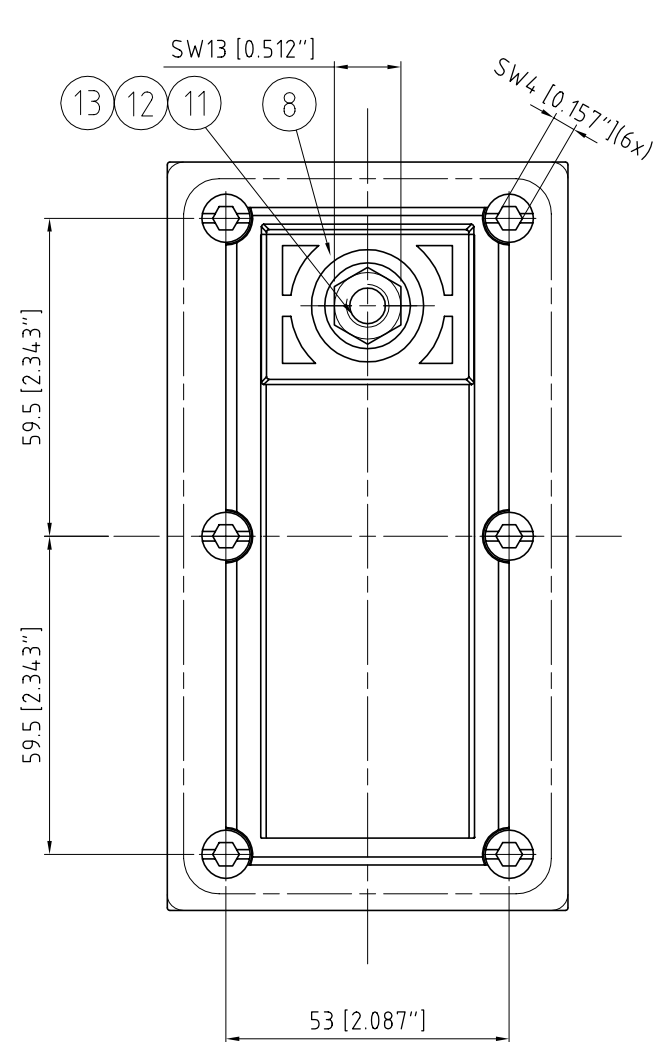


MATERIAL AND SURFACE TREATMENT				
H	SS 4263	EN AC-44300	-	A413,0
5	CHEMICAL NICKELPLATED ACC.TO S1005244			



We reserve all rights in this document and in the information contained therein. Reproduction, use or disclosure to third parties without express authority is strictly forbidden. ROXTEC INTERNATIONAL AB



Item	Qty	Designation	Specification	Net Weight
13	2	WASHER	DIN 125A RB M8 A4	-
12	2	NUT	DIN 934 M6M M8 A4	-
11	2	SCREW	DIN603 MVBFB M8x55	-
10	2	GLUE	MS-POLYMER VISCOSEAL 6958 R	-
9	2	O-RING	EPDM	-
8	2	WASHER	PA66 25GF	-
7	2	COMPRESSION RUBBER	ROXYLON	-
6	2	COVER	ALUMINIUM CHEM. NICKELPLATED	-
5	1	O-RING	φ3 L=355, NBR	-
4	6	PIN SCREW	DIN 913, M6x22 A2	-
3	6	NUT	SS 2346	-
2	1	EXTENSION	ALUMINIUM CHEM. NICKELPLATED	-
1	1	CF 8 FRAME	ALUMINIUM CHEM. NICKELPLATED	-

ROXTEC INTERNATIONAL AB BOX 540 S-371 23 Karlskrona TEL: +46 455 366700 FAX: +46 455 82012	Designed by <b>M PRZYBYLA</b> Checked by <b>J AKESSON</b> Approved by <b>J AKESSON</b>	Date 2009-03-06 Format A2 Scale 1:1	General tolerance ISO 2768-1 m Welded details SS-EN 50 042 C General surface roughness, Ra -	Title CF 8 EX ASSEMBLY	Projection method 1st angle	Net Weight -
			Restricted due to	Drawing number S1016542	Rev -	

Rev	Type of revision	Date	Sign
-	-	2004-08-18	