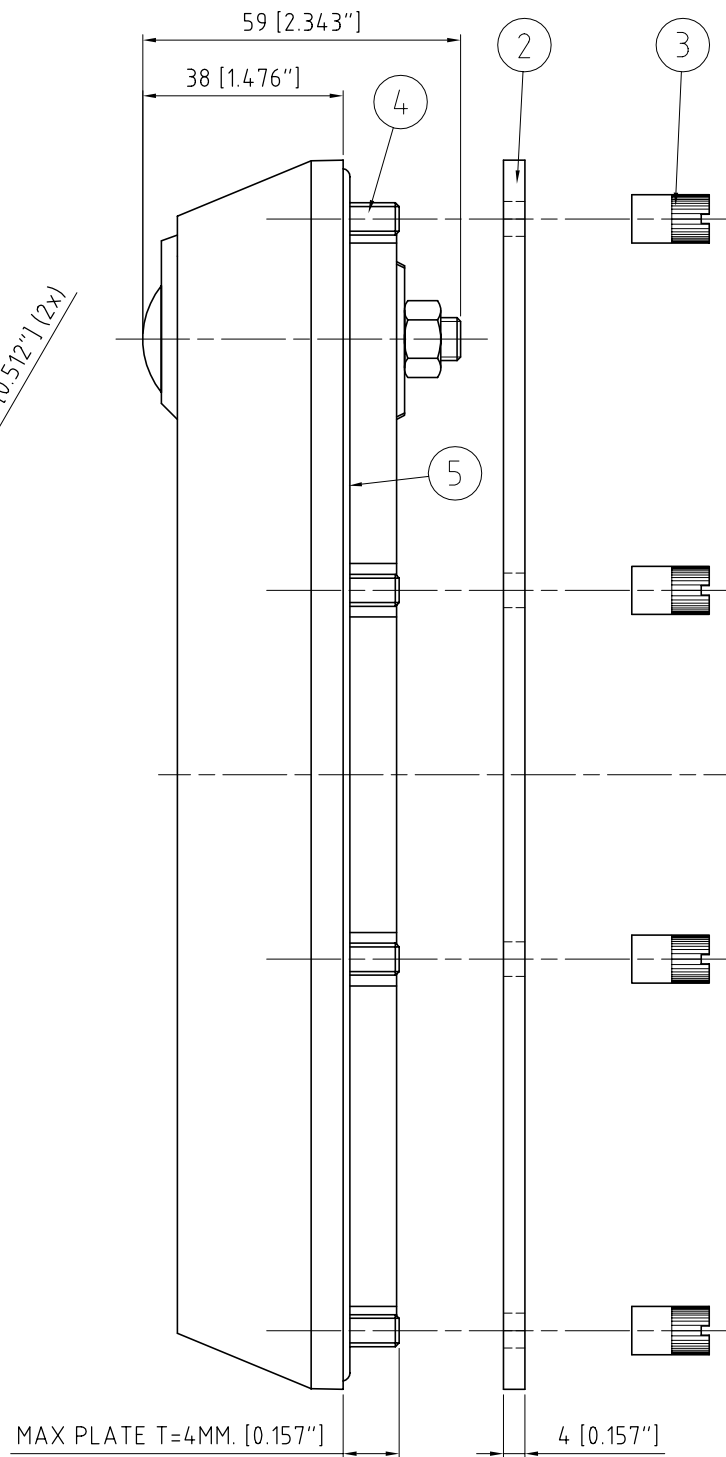
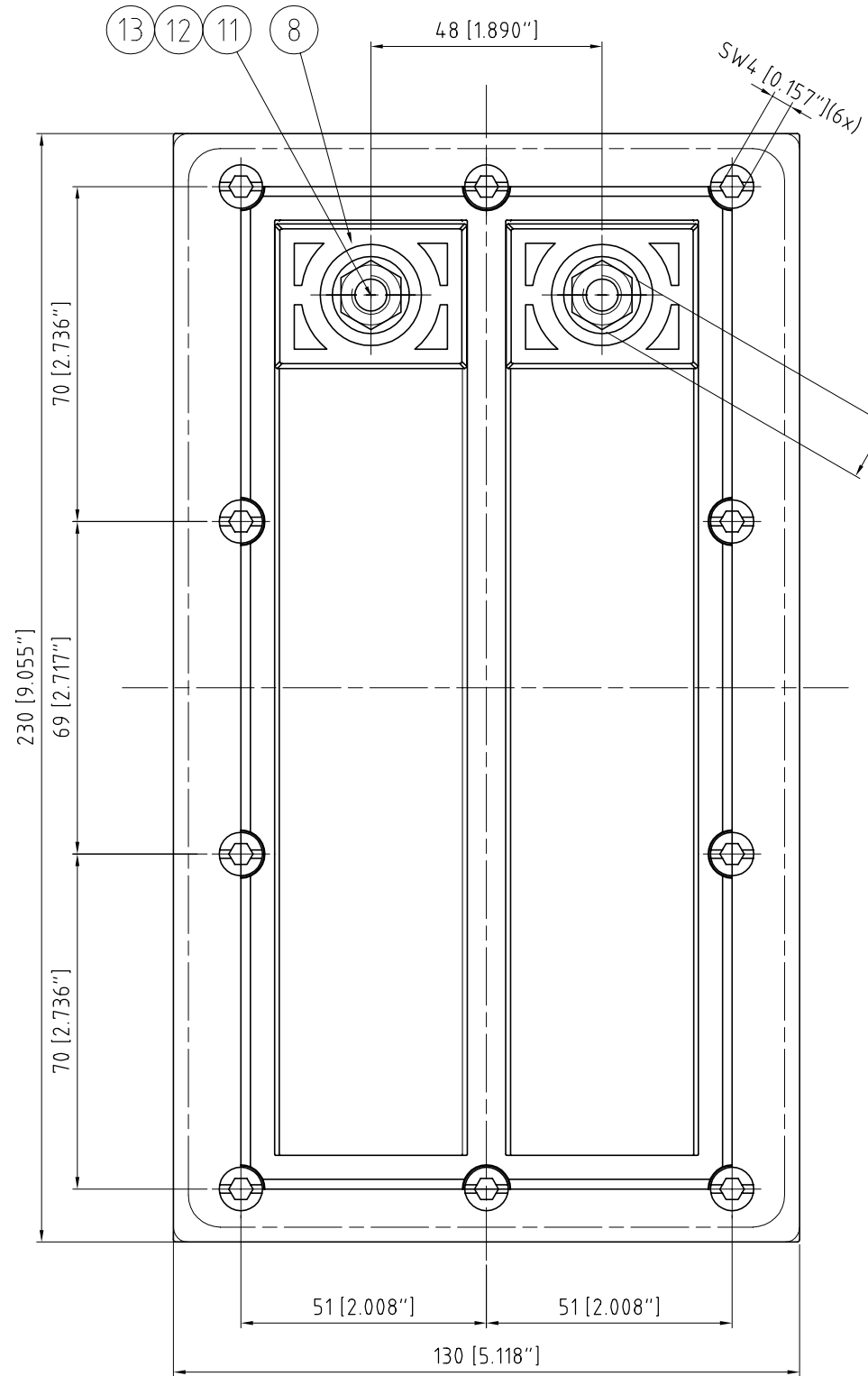
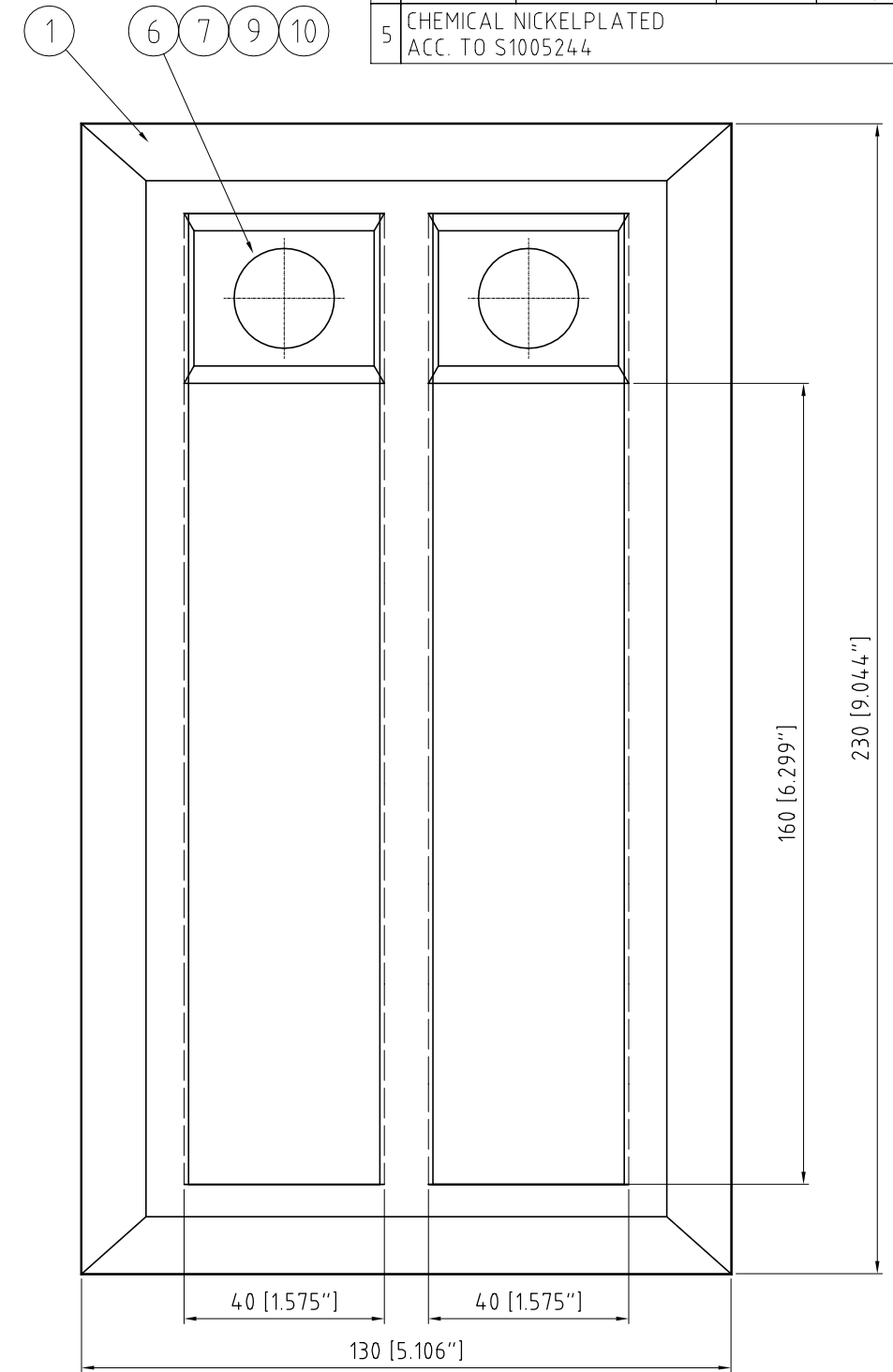


We reserve all rights in this document and in the information contained therein. Reproduction, use or disclosure to third parties without express authority is strictly forbidden. ROXTEC INTERNATIONAL AB



MATERIAL AND SURFACE TREATMENT			
H	SS 4263	EN AC-44300	A43,0
5	CHEMICAL NICKELPLATED ACC. TO S1005244		



Item	Qty	Designation	Specification	NetWeight
13	2	WASHER	DIN 125A RB M8 A4	-
12	2	NUT	DIN 934 M6M M8 A4	-
11	2	SCREW	DIN603 MVB F M8x55	-
10	2	GLUE	MS-POLYMER VISCOSEAL 6958 R	-
9	2	O-RING	EPDM	-
8	2	WASHER	PA66 25GF	-
7	2	COMPRESSION RUBBER	ROXYLON	-
6	2	COVER	ALUMINIUM CHEM. NICKELPLATED	-
5	1	O-RING	φ3 L=655, NBR	-
4	6	PIN SCREW	DIN 913, M6x22 A2	-
3	6	NUT	SS 2346	-
2	1	EXTENSION	ALUMINIUM CHEM. NICKELPLATED	-
1	1	CF 32 FRAME	ALUMINIUM CHEM. NICKELPLATED	-

ROXTEC INTERNATIONAL AB BOX 540 S-371 23 Karlskrona TEL: +46 455 366700 FAX: +46 455 82012		Designed by M PRZYBYLA	Date 2009-03-06	General tolerance ISO 2768-1 m	Welded details SS-EN 50 042 C	General surface roughness, Ra -	NetWeight -
Checked by J AKESSON		Format A2	Title CF 32 EX	Projection method 1st angle		Rev -	
Approved by J AKESSON		Scale 1:1	Drawing number S1016540		Restricted due to INFORMATION DRAWING		

Rev	Type of revision	Date	Sign
-	-	2004-08-18	