
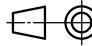


E	ALLEN KEY REMOVED, LAYOUT CHANGED	2024-10-18	se-marfre
Rev	Type of revision	Date	Sign

4	1	INSTALLATION INSTRUCTION						
3	2	LUBRICANT						
2	1	SCREW KIT	FASTENERS (SELF TAPPING SCREW)					
1	1	EZENTRY 32 FRAME						
ITEM	QTY	Designation	Specification				Weight	
General tolerances used for manufacturing shown in document DOC-002180		Designed by/date se-annhel 2009-03-05	Latest save date 2024-12-04	Format A3	Scale	Sheet no 1 / 1	TotWeight 0,7 kg	
 www.roxtec.com		Title <b>EZENTRY 32 FRAME ASSEMBLY</b>				Projection method 		
		Restricted due to Information drawing		Drawing number <b>S1016517</b>		Rev <b>E</b>		