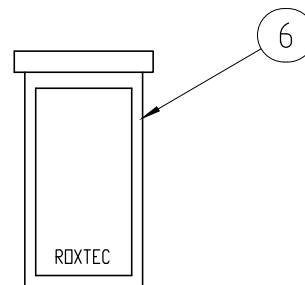
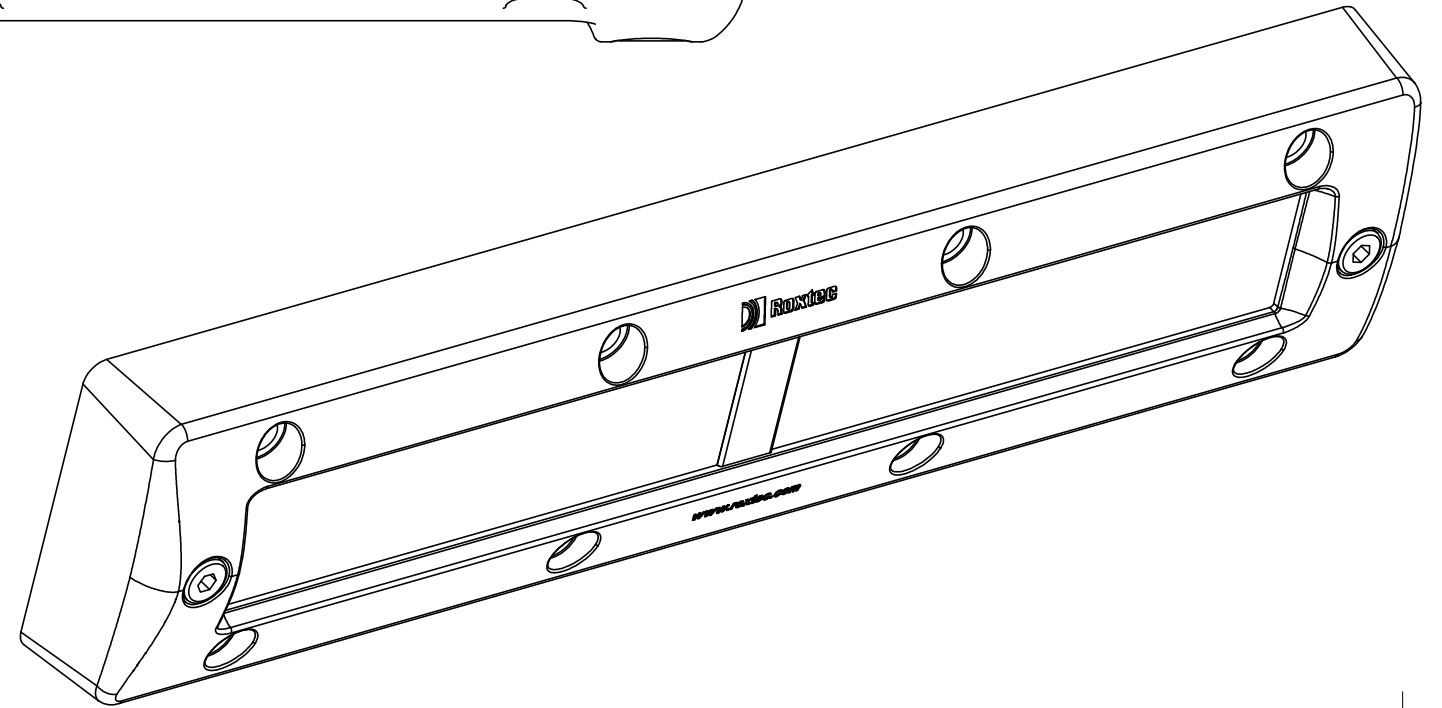
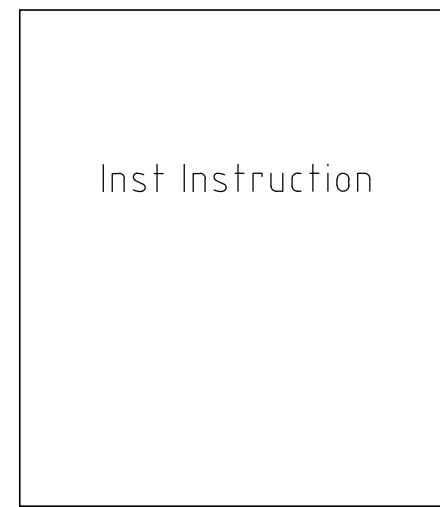
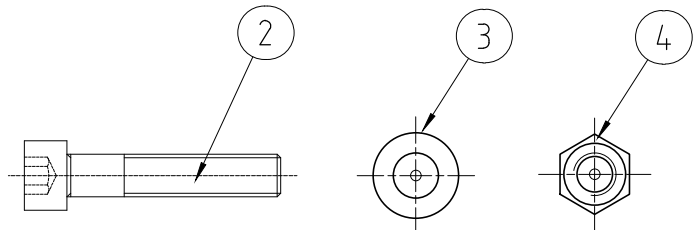
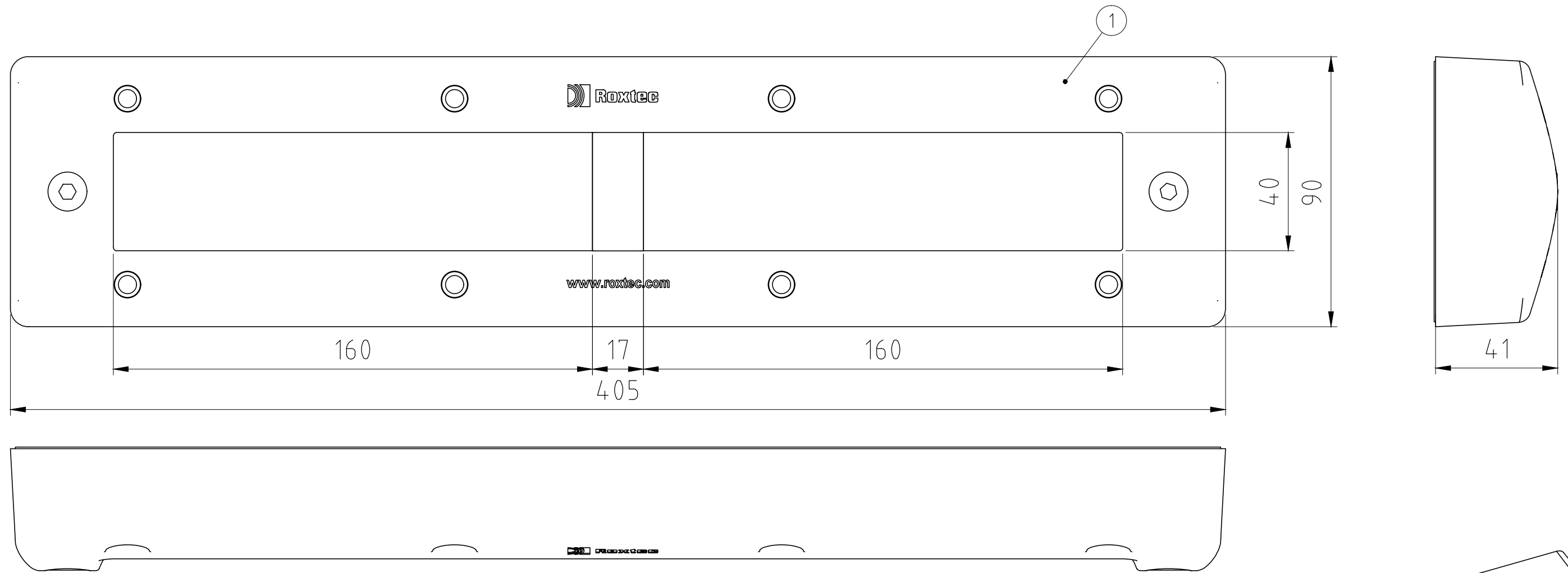


烙克赛克保留所有权利。未经授权严禁复制，使用以及向第三方泄露。

All rights reserved. Unauthorized reproduction, use or disclosure to third parties is strictly forbidden.



| Item | Qty | Designation | Specification | Net Weight |
|------|-----|--------------------------|------------------------------------|------------|
| 6 | 1 | LUBRICANT | | |
| 5 | 1 | INSTALLATION INSTRUCTION | | |
| 4 | 8 | NUT | M6M-8 M8 FE/Z-NI ISO 4032 | |
| 3 | 8 | WASHER | M8 FE/Z-NI ISO 7089 | |
| 2 | 8 | SCREW | MC6S TT 8.8 M8x40 FE/Z-NI DIN7500E | |
| 1 | 1 | EZENTRY 32 | | |

| General tolerance | | Welded details | | General surface roughness, Ra | | Designed by | | Created Date | | Approved by | | Approved Date | | Format | | Scale | | Net Weight | |
|-------------------|--|----------------|--|-------------------------------|--|----------------|--|---------------------------|--|-------------------|--|---------------------|--|----------------|--|----------|--|-------------------|--|
| ISO 2768-1/2-M/K | | EN ISO 5817-B | | EN ISO 10042-B | | se-annhel | | 2009-03-05 | | se-jorake | | 2024-06-24 | | A2 | | 1:1 | | | |
| EN ISO 19001-09 | | | | | | Title | | | | | | | | | | | | Projection method | |
| | | | | | | www.roxtec.com | | EZENTRY 32 FRAME ASSEMBLY | | Restricted due to | | Information drawing | | Drawing number | | S1016517 | | Rev | |
| | | | | | | | | | | | | | | | | | | D | |

| Rev | Type of revision | Date | Sign |
|-----|--------------------|------------|-----------|
| D | ALLEN KEYS REMOVED | 2024-06-24 | se-henols |