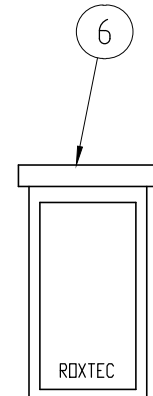
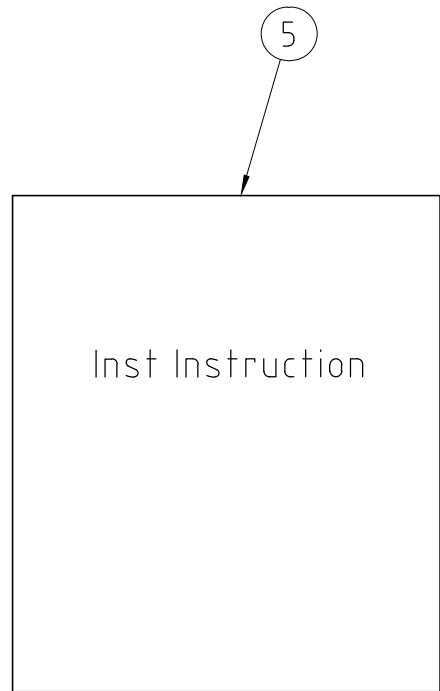
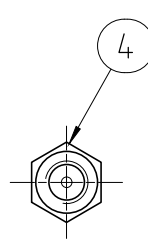
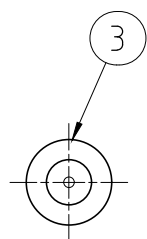
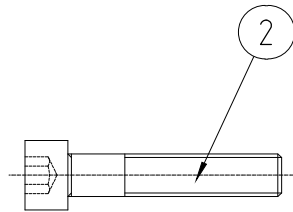
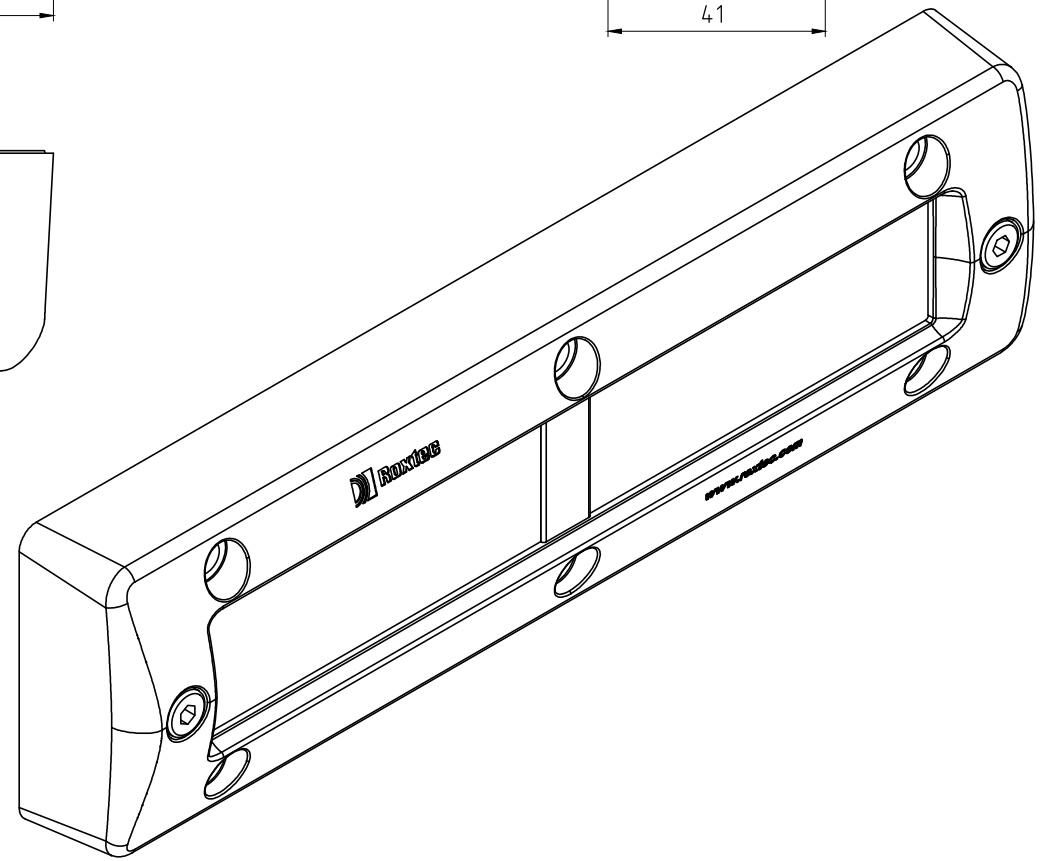
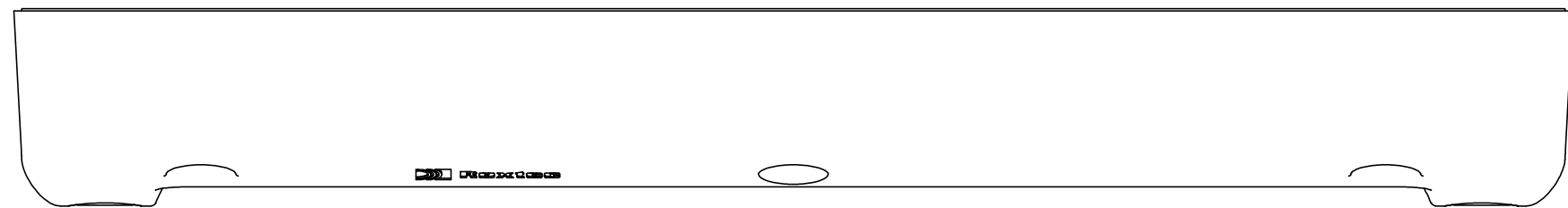
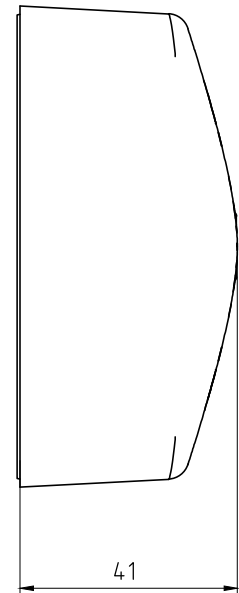
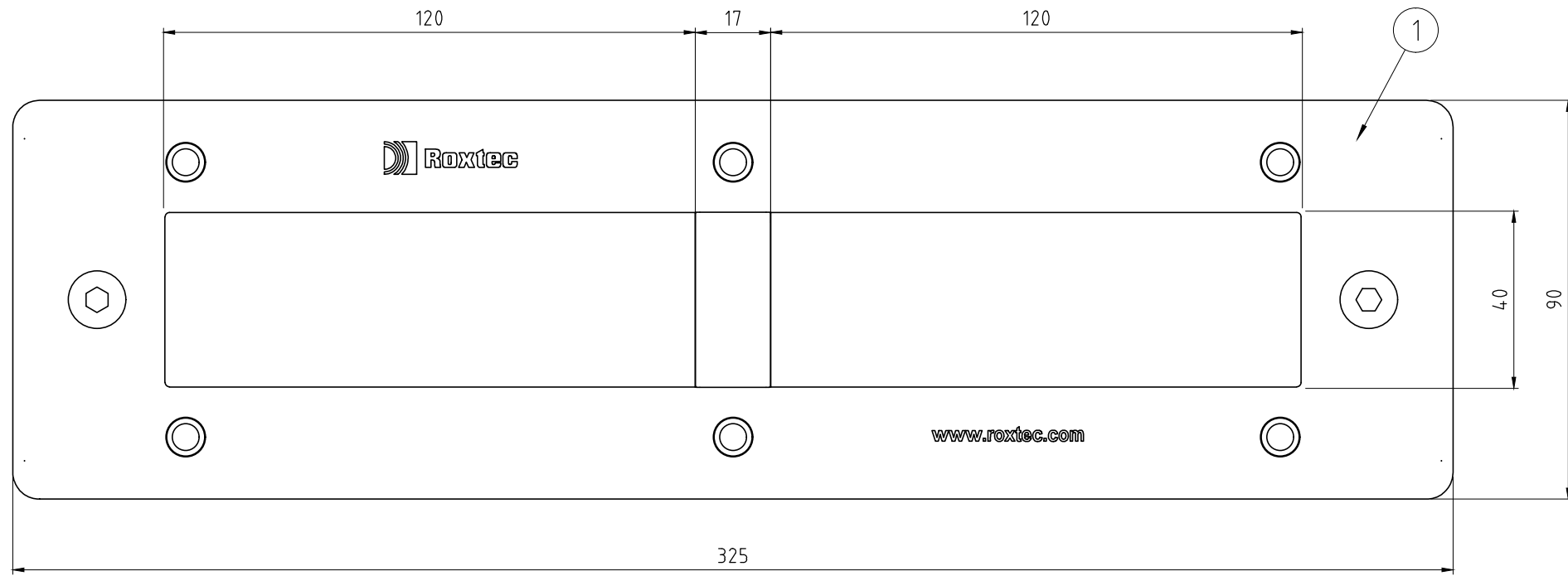


烙克赛克保留所有权利。未经授权严禁复制，使用以及向第三方泄露。

All rights reserved. Unauthorized reproduction, use or disclosure to third parties is strictly forbidden.



Item	Qty	Designation	Specification	Net Weight
6	1	LUBRICANT		
5	1	INSTALLATION INSTRUCTION		
4	6	NUT	M6M-8 M8 FE/Z-NI ISO 4032	
3	6	WASHER	M8 FE/Z-NI ISO 7089	
2	6	SCREW	MC6S TT 8.8 M8x40 FE/Z-NI DIN7500E	
1	1	EZENTRY 24		

General tolerance		Welded details		General surface roughness, Ra		Designed by		Created Date		Approved by		Approved Date		Format		Scale		Net Weight	
ISO 2768-MT	EN ISO 1904-01	EN ISO 5817-B	EN ISO 10042-B	12.5	se-annhel	2009-03-05	se-jorake	2024-06-24	A2	1:1									
 www.roxtec.com		Title		Projection method		Drawing number		Rev											
		EZENTRY 24 FRAME ASSEMBLY				S1016516		E											

Rev	Type of revision	Date	Sign
E	ALLEN KEYS REMOVED	2024-06-24	se-henols