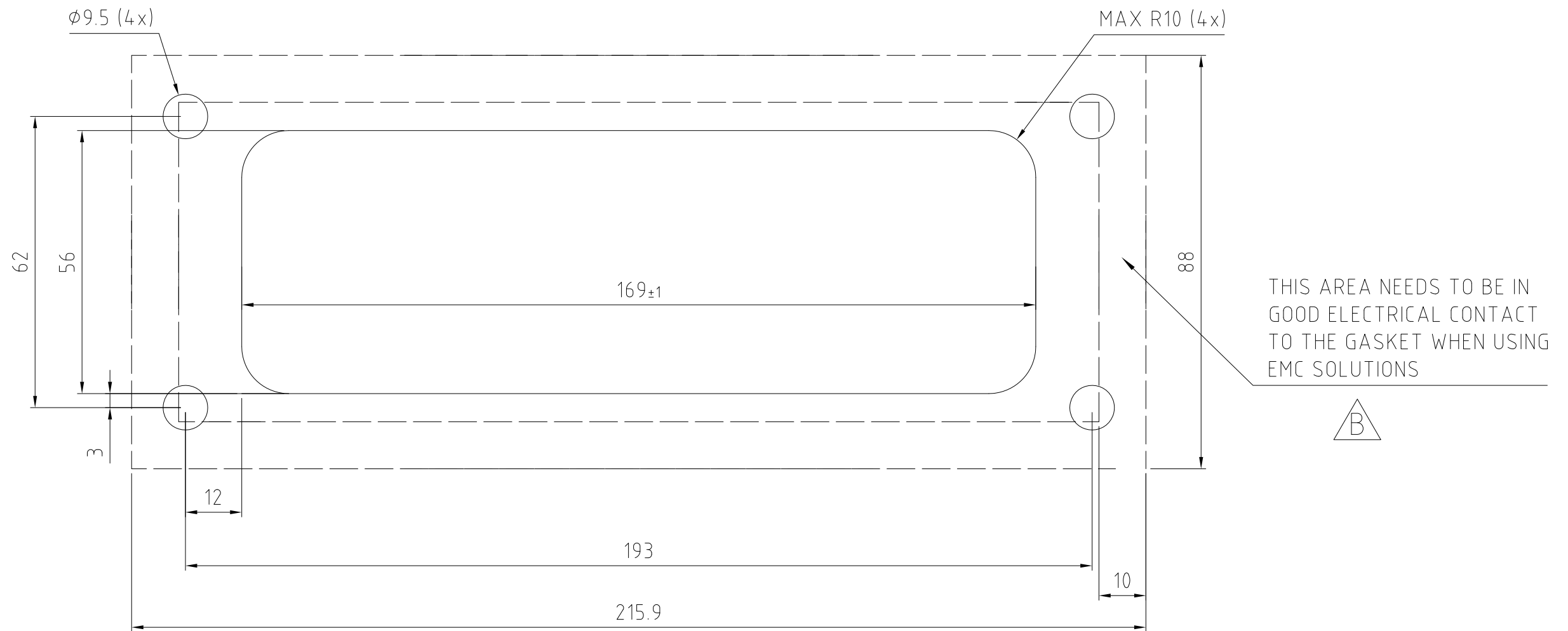

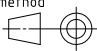


We reserve all rights in this document and in the information contained therein. Reproduction, use or disclosure to third parties without express authority is strictly forbidden. ©ROXTEC INTERNATIONAL AB



HOLECUT ACCORDING TO FL21 OR ABOVE DIMENSIONS

B	CONDUCTIVE AREA ADDED.	2010-05-21	se-jenboh
Rev	Type of revision	Date	Sign

Item	Qty	Designation	Specification				Net Weight
ROXTEC INTERNATIONAL AB BOX 540 S-371 23 Karlskrona TEL: +46 455 366700 FAX: +46 455 82012		Designed by se-jenboh Approved by se-mikast Format A3 Restricted due to Information Drawing	Created Date 2008-06-09 Approved Date 2010-05-21	General tolerance ISO 2768-1/2-m/K EN ISO 13920-BF	Welded details EN ISO 5817-B EN ISO 10042-B	General surface roughness, Ra 12,5 -	Tot Weight
			Title COMSEAL 12 APERTURE DIMENSION				Projection method 
			Drawing number S1014129				Rev B