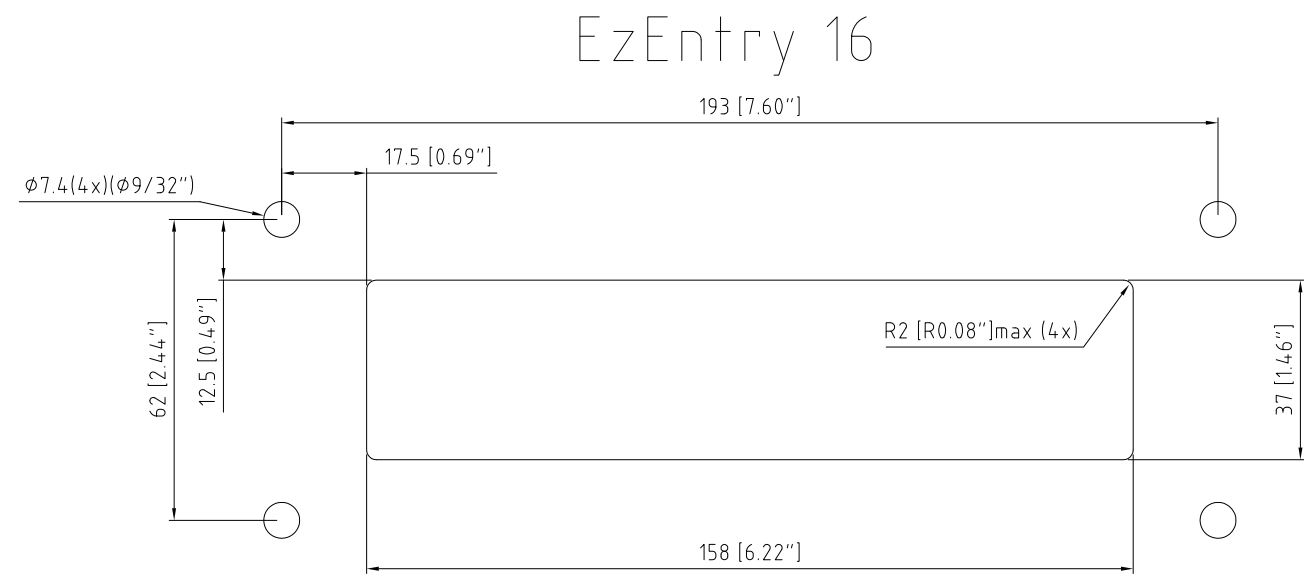
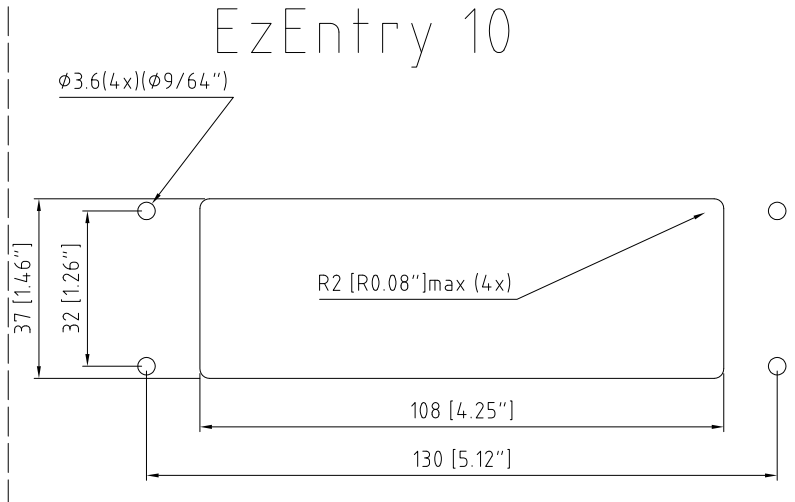
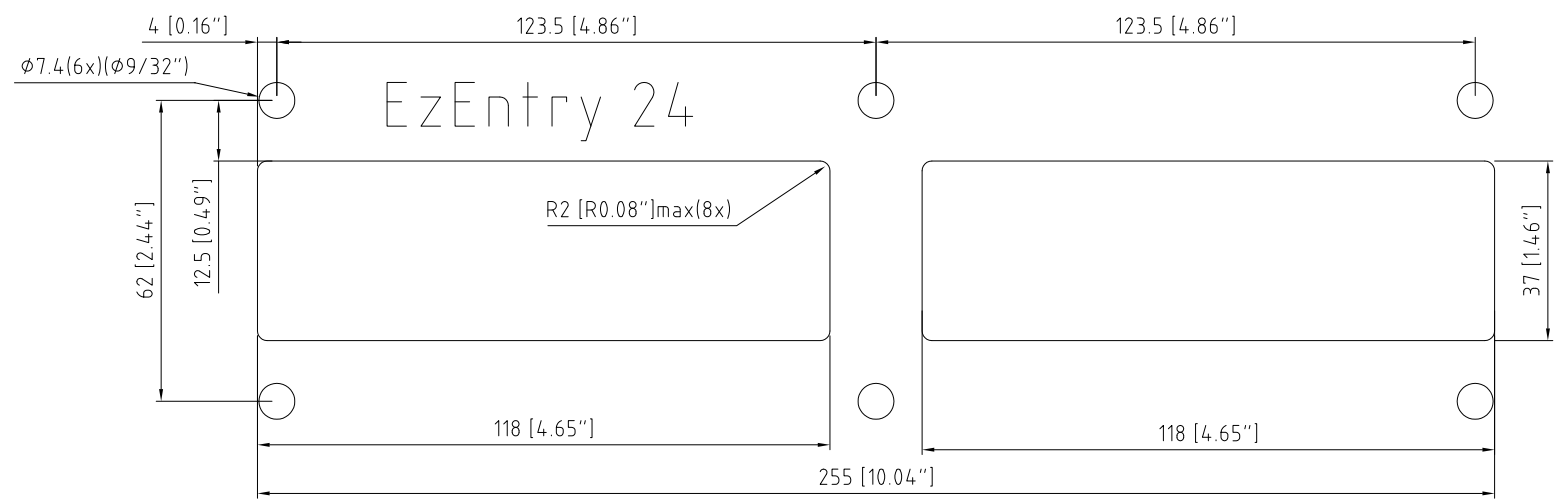
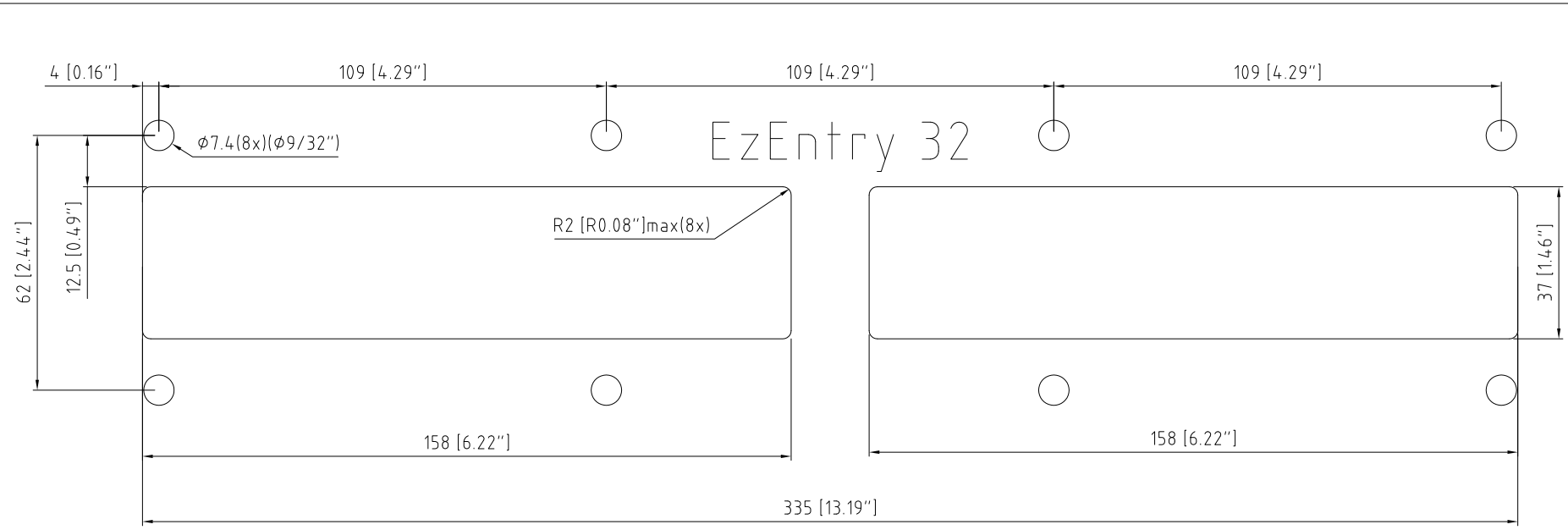


We reserve all rights in this document and in the drawings. No part of this document may be reproduced, stored in a retrieval system, or transmitted in any form or by any means, electronic, mechanical, photocopying, recording, or by any information storage and retrieval system, without express authority in writing from ROXTEC INTERNATIONAL AB.



Drill bit size when using nuts

| | | |
|----|--------|--------|
| 10 | 4.5 mm | 3/16" |
| 16 | 9 mm | 11/32" |
| 24 | 9 mm | 11/32" |
| 32 | 9 mm | 11/32" |

Rem.
The dimensions for holes are recommended drill bit size

| | | | |
|-----|------------------------------|------------|-----------|
| D | EzEntry 4 AND 4 MINI REMOVED | 2013-08-12 | se-henols |
| Rev | Type of revision | Date | Sign |

| | | | | |
|--|-----|---------------------|---------------------|---------------------|
| Item | Qty | Designation | Specification | Net Weight |
| ROXTEC INTERNATIONAL AB | | Designed by | Date | General tolerance |
| BOX 540 S-311 23 Karlskrona | | se-stemil | 2008-05-22 | EN ISO 12781-12 max |
| TEL: +46 455 366700 FAX: +46 455 82012 | | Checked by | Format | Welded detail |
| | | | A2 | EN ISO 10171-B |
| | | Approved by | Scale | General surface |
| | | se-jorake | 1:1 | roughness, Ra 1.5 |
| | | Restricted due to | Title | Projection |
| | | Information Drawing | APERTURE DIMENSIONS | method |
| | | | EZENTRY 10,16,24,32 | |
| | | | Drawing number | Rev |
| | | | S1013989 | D |