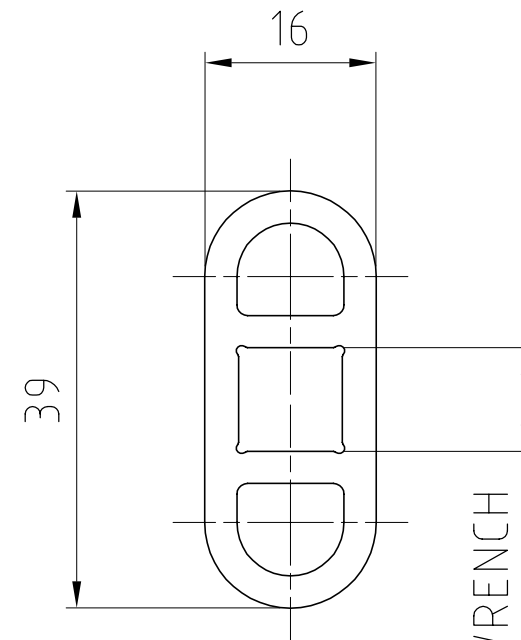
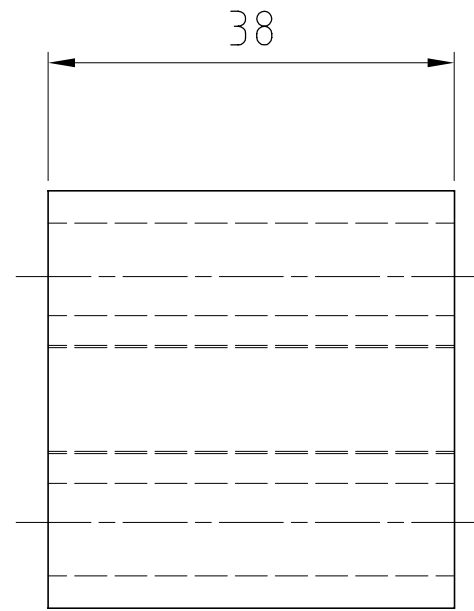
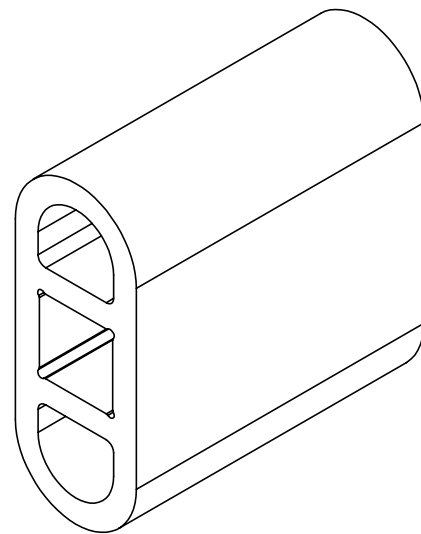


MATERIAL ALUMINIUM

ANODIZED





3/8" SOCKET WRENCH



We reserve all rights in this document and in the information contained therein. Reproduction, use or disclosure to third parties without express authority is strictly forbidden. ROXTEC INTERNATIONAL AB

Rev	Type of revision	Date	Sign
-	-		

Item	Qty	Designation	Specification				NetWeight
ROXTEC INTERNATIONAL AB BOX 540 S-371 23 Karlskrona TEL: +46 455 366700 FAX: +46 455 82012		JE BOHLIN Checked by H. OLSSON Approved by H. OLSSON	Date 2008-04-22	General tolerance EN ISO 7081-2-A/K EN ISO 1920-BF	Welded details EN ISO 5817-B EN ISO 10042-B	General surface roughness, Ra 12,5	TotalWeight -
		Format A3	Title PRE COMP ECCENTRIC	Scale 1:1	Projection method cf		Rev -
Restricted due to INFORMATION DRAWING			Drawing number S1013754				