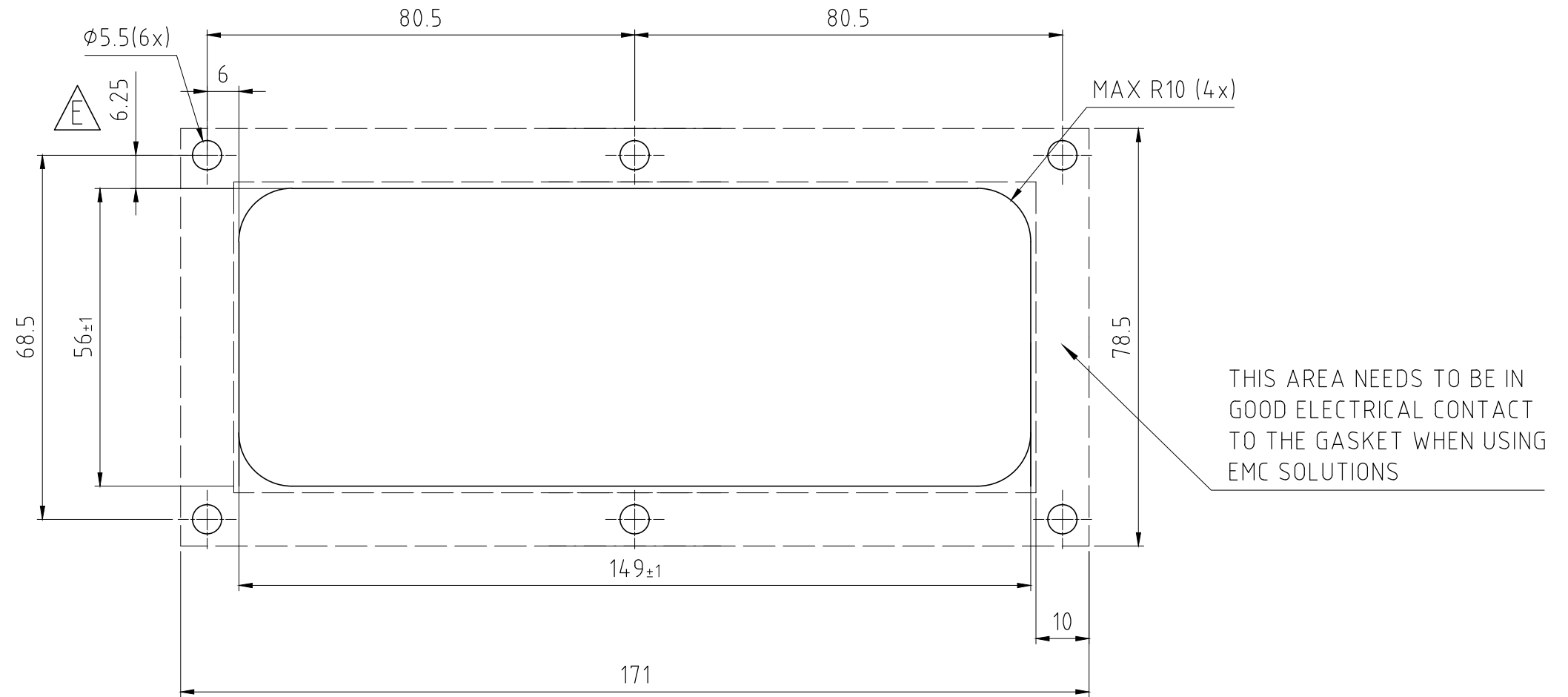


We reserve all rights in this document and in the information contained therein. Reproduction, use or disclosure to third parties without express authority is strictly forbidden. © ROXTEC INTERNATIONAL AB



E	Dimension 6,25 added	2018-08-24	se-patbos
Rev	Type of revision	Date	Sign

Item	Qty	Designation	Specification			NetWeight
ROXTEC INTERNATIONAL AB BOX 540 S-371 23 Karlskrona TEL: +46 455 366700 FAX: +46 455 82012		Designed by <b>se-milkar</b>	Date 2008-02-01	General tolerance EN ISO 2768-1/2-m/K EN ISO 13920-BF	Welded details EN ISO 5817-B EN ISO 10042-B	TotWeight
		Checked by	Format A3	Title COMSEAL 10 APERTURE DIMENSION		Projection method 
		Approved by <b>se-jorake</b>	Scale 1:1	Drawing number S1013122		Rev E
Restricted due to Information drawing						