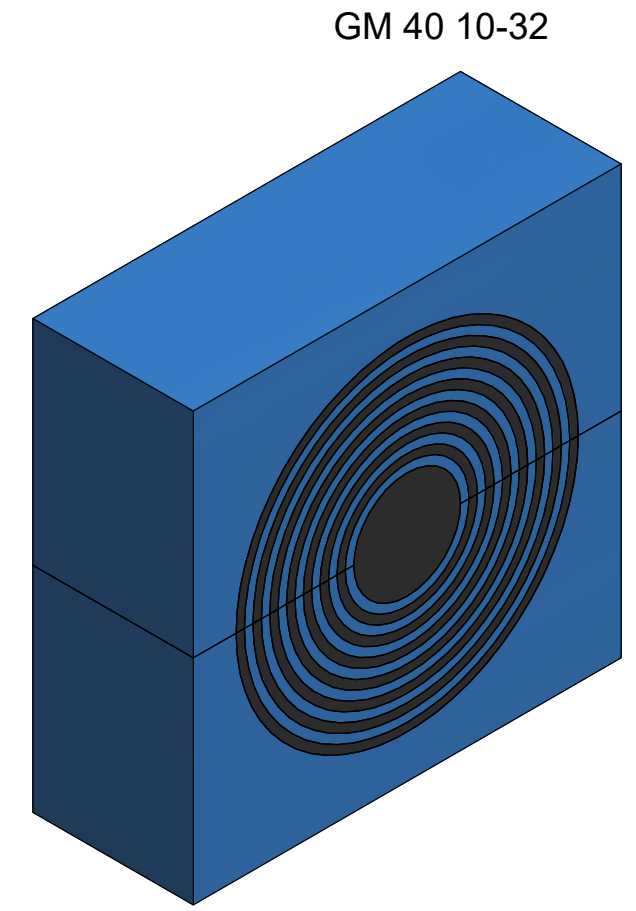
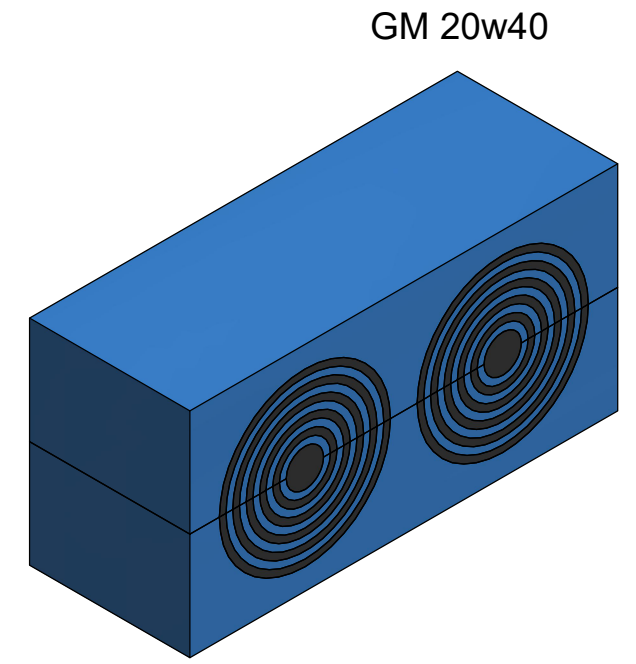
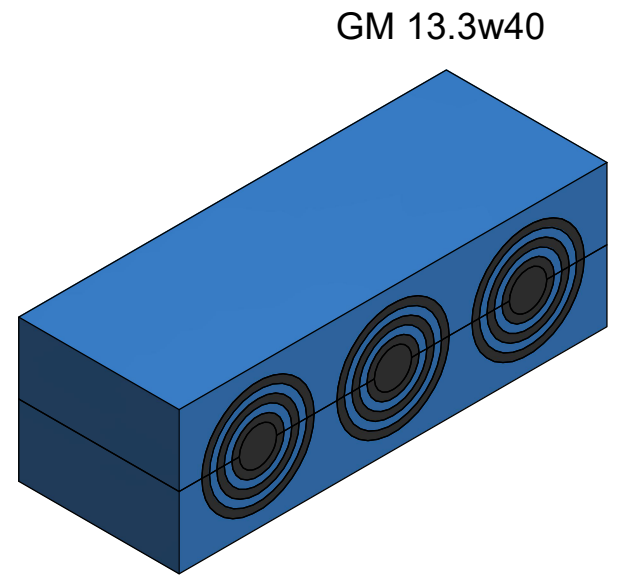
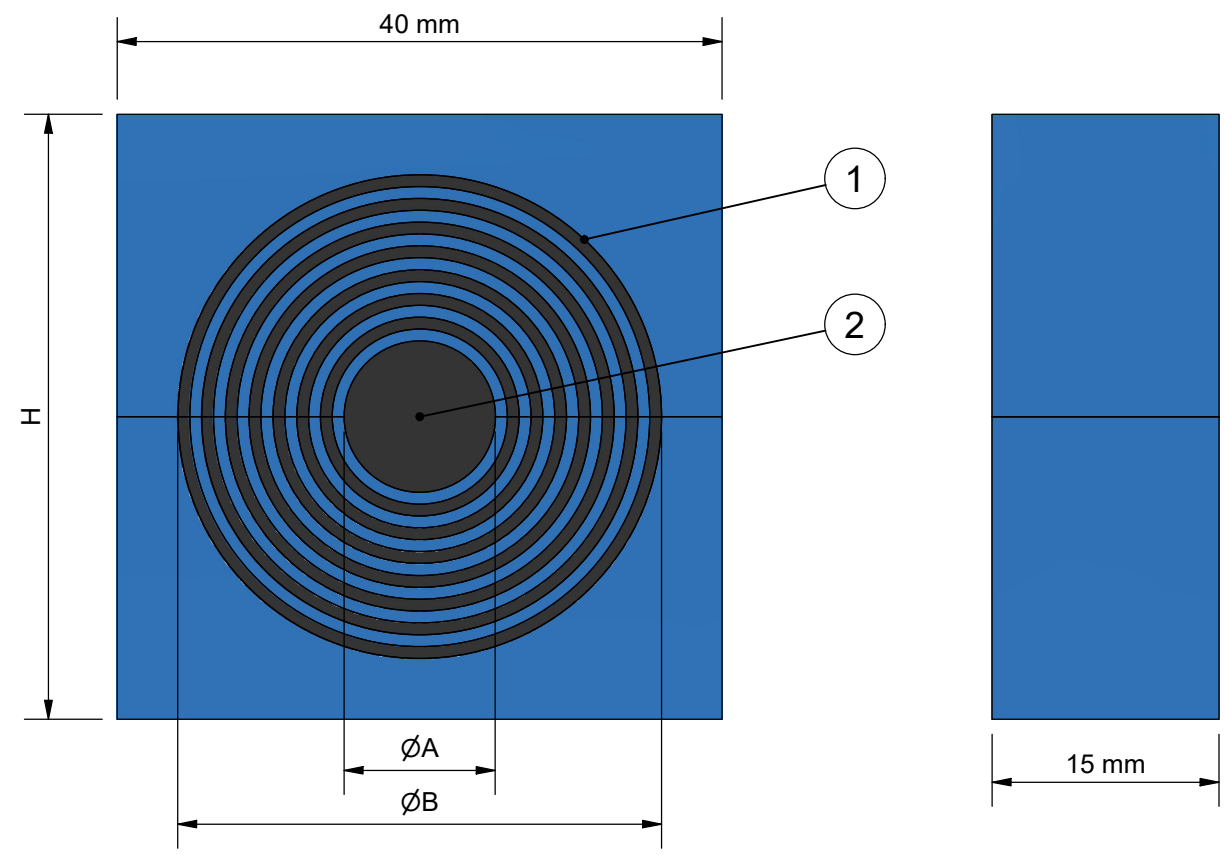


烙克赛克保留所有权利。未经授权严禁复制、使用以及向第三方泄露。

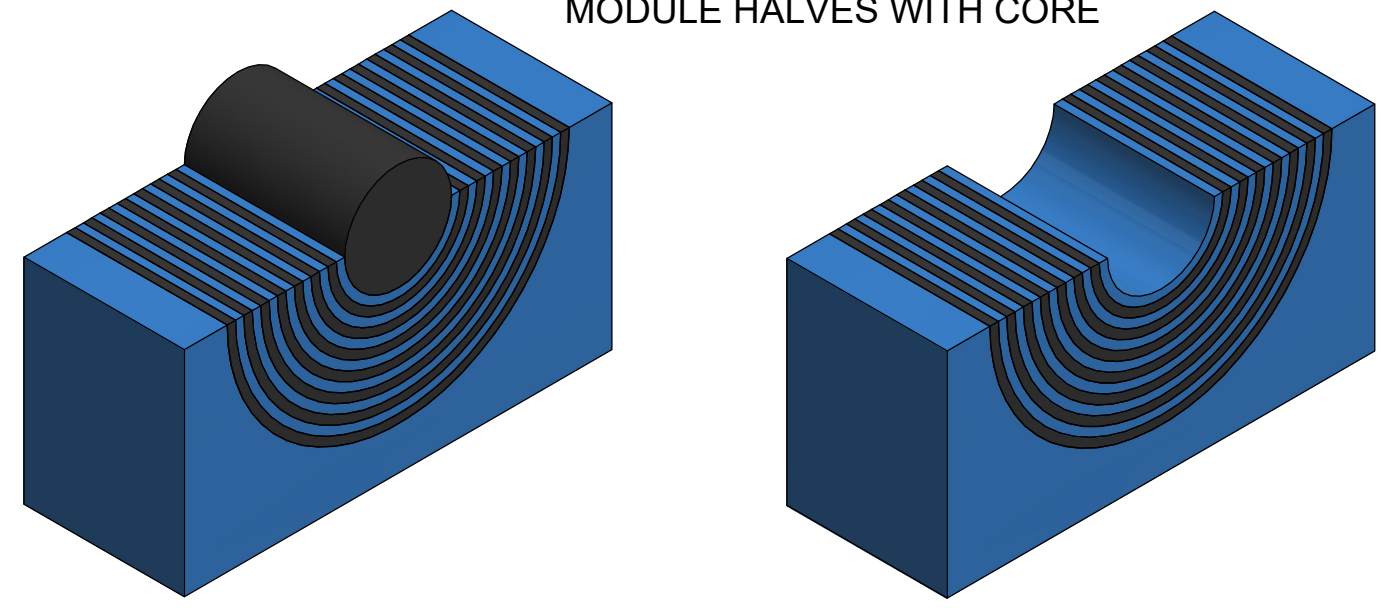
All rights reserved. Unauthorized reproduction, use or disclosure to third parties is strictly forbidden.


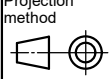
Rev 3.1

TYPE	CABLE/PIPE Ø (A-B) [mm]	H [mm]	C [QTY]
GM 13.3w40	3.5 - 10.5	13.3	3
GM 20w40	3.5 - 16.5	20	2
GM 40 10-32	10 - 32	40	1



MODULE HALVES WITH CORE



2	C	CORE	ROXYLON					
1	2	RUBBER PROFILE	ROXYLON					
ITEM	QTY	Designation	Specification				Weight	
General tolerances used for manufacturing shown in document DOC-002180		Designed by/date se-tonhal 2007-04-25	Latest save date 2024-07-03	Format A3	Scale	Sheet no 1 / 1	TotWeight	
 www.roxtec.com		Title GM MODULES ASSEMBLY				Projection method 		
		Restricted due to Information drawing				Drawing number S1011314		Rev B

B	LAYOUT CHANGED	2024-06-26	se-marfre
Rev	Type of revision	Date	Sign

Information drawings show general design and nominal dimensions if not else stated