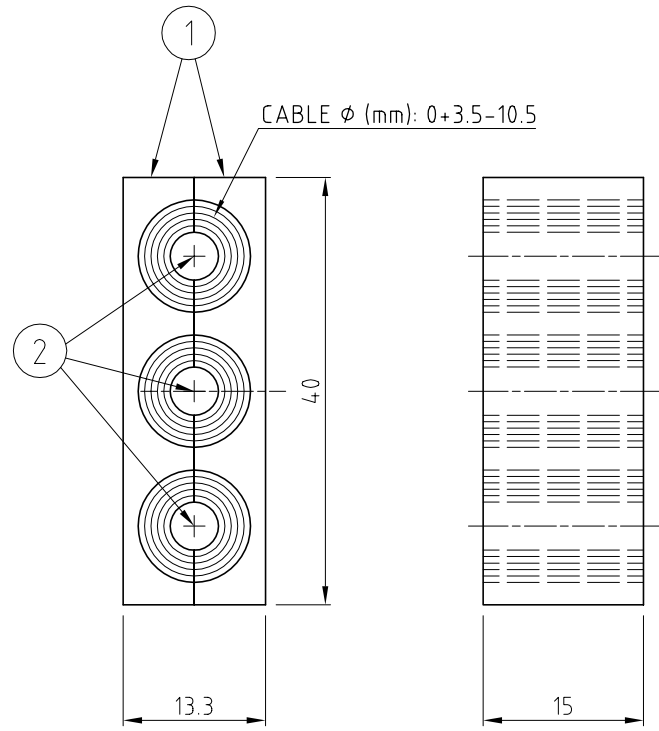
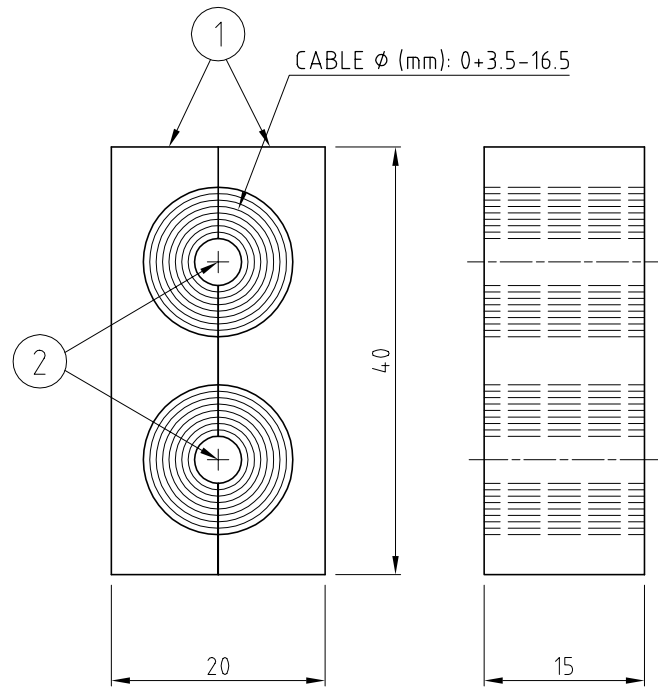


We reserve all rights in this document and in the information contained therein. Reproduction, use or disclosure to third parties without express authority is strictly forbidden. ROXTEC INTERNATIONAL AB

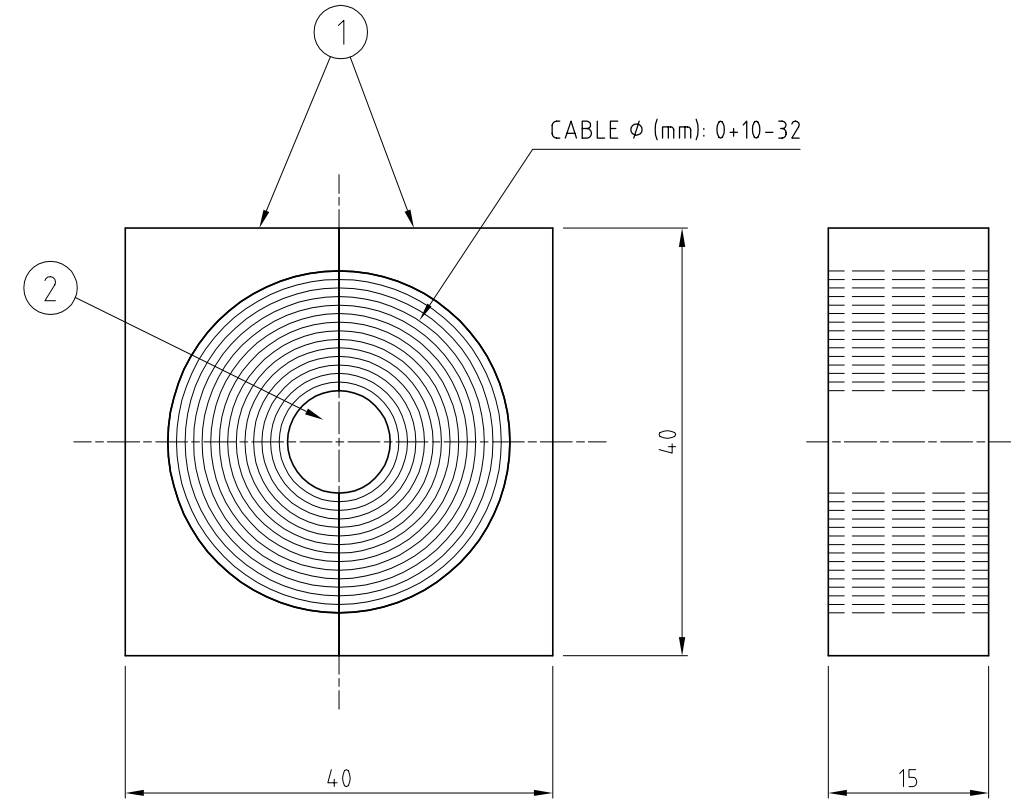
### GM13.3w40



### GM20w40



### GM40/10-32



Rev	Type of revision	Date	Sign
A	-	2007-05-10	T HALLEN

2	-	CORE	ROXYLON	-
1	-	RUBBER	ROXYLON	-
Item	Qty	Designation	Specification	NetWeight
ROXTEC INTERNATIONAL AB BOX 540 S-371 23 Karlskrona TEL: +46 455 366700 FAX: +46 455 82012		Designed by <b>T HALLEN</b> Checked by <b>R PETERSSON</b> Approved by <b>R PETERSSON</b>	Date 2007-04-25 Format A2 Scale 2:1	General tolerance EN ISO 2768-1/2-M/K Welded details EN ISO 5817-B EN ISO 10042-B General surface roughness, Ra 12,5
Title <b>GM MODULES ASSEMBLY</b>			Projection method 	Rev A
Restricted due to <b>INFORMATION DRAWING</b>			Drawing number S1011314	