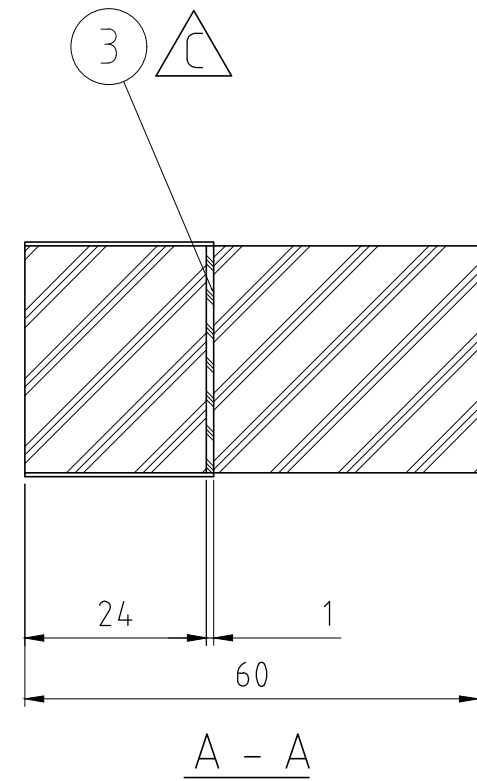
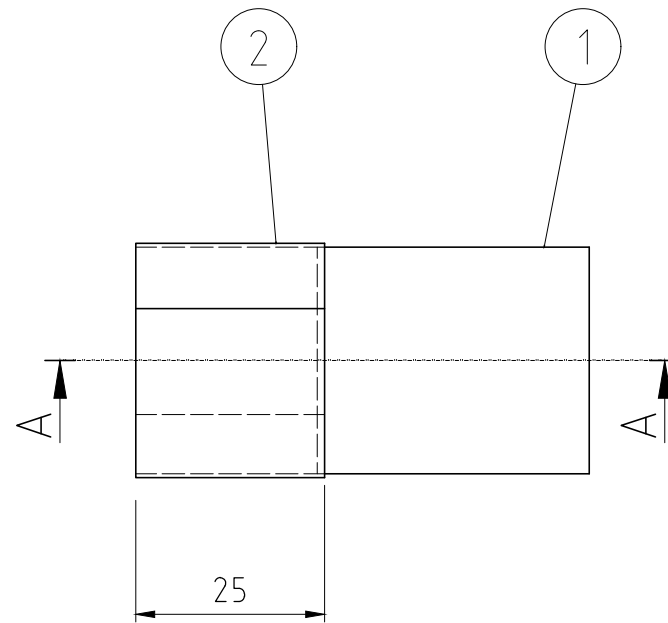
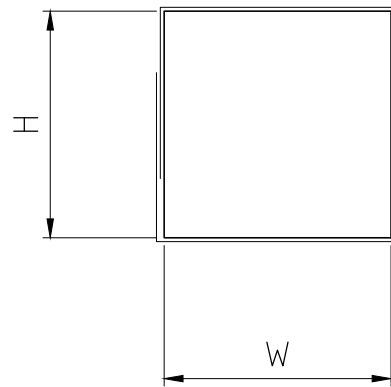



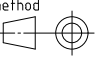
烙克囊克保留所有权利。未经授权严禁复制，使用以及向第三方泄漏。

All rights reserved. Unauthorized reproduction, use or disclosure to third parties is strictly forbidden.

Rev 2.0

TYPE	W (mm)	H (mm)
RM 5w120/0 ES B	120	5
RM 10w60/0 ES B	60	10
RM 10w120/0 ES B	120	10
RM 10/0 ES B	10	10
RM 15/0 ES B	15	15
RM 20/0 ES B	20	20
RM 30/0 ES B	30	30
RM 30H90/0 ES B	30	90
RM 40/0 ES B	40	40
RM 40H80/0 ES B	40	80
RM 60/0 ES B	60	60



3	1	CONDUCTING RUBBER								-
2	1	CONDUCTIVE TAPE								-
1	2	RUBBER	ROXYLON							-
Item	Qty	Designation	Specification						Net Weight	
General tolerances used for manufacturing shown in document DOC-002180		Designed by	Created Date	Latest save date	Format	Scale	Sheet no	Total Weight		
		se-tonhal	2007-04-17	2020-10-21	A3	1:1		-		
 www.roxtec.com		Title RM ES B MODULES EMC SOLID MODULES Restricted due to						Projection method 		
Rev		Type of revision		Date		Sign		Drawing number S1011265		Rev C

C	MODULES REMOVED FROM TABLE	2020-10-21	se-jenboh
Rev	Type of revision	Date	Sign

Information drawings show general design and nominal dimensions if not else stated