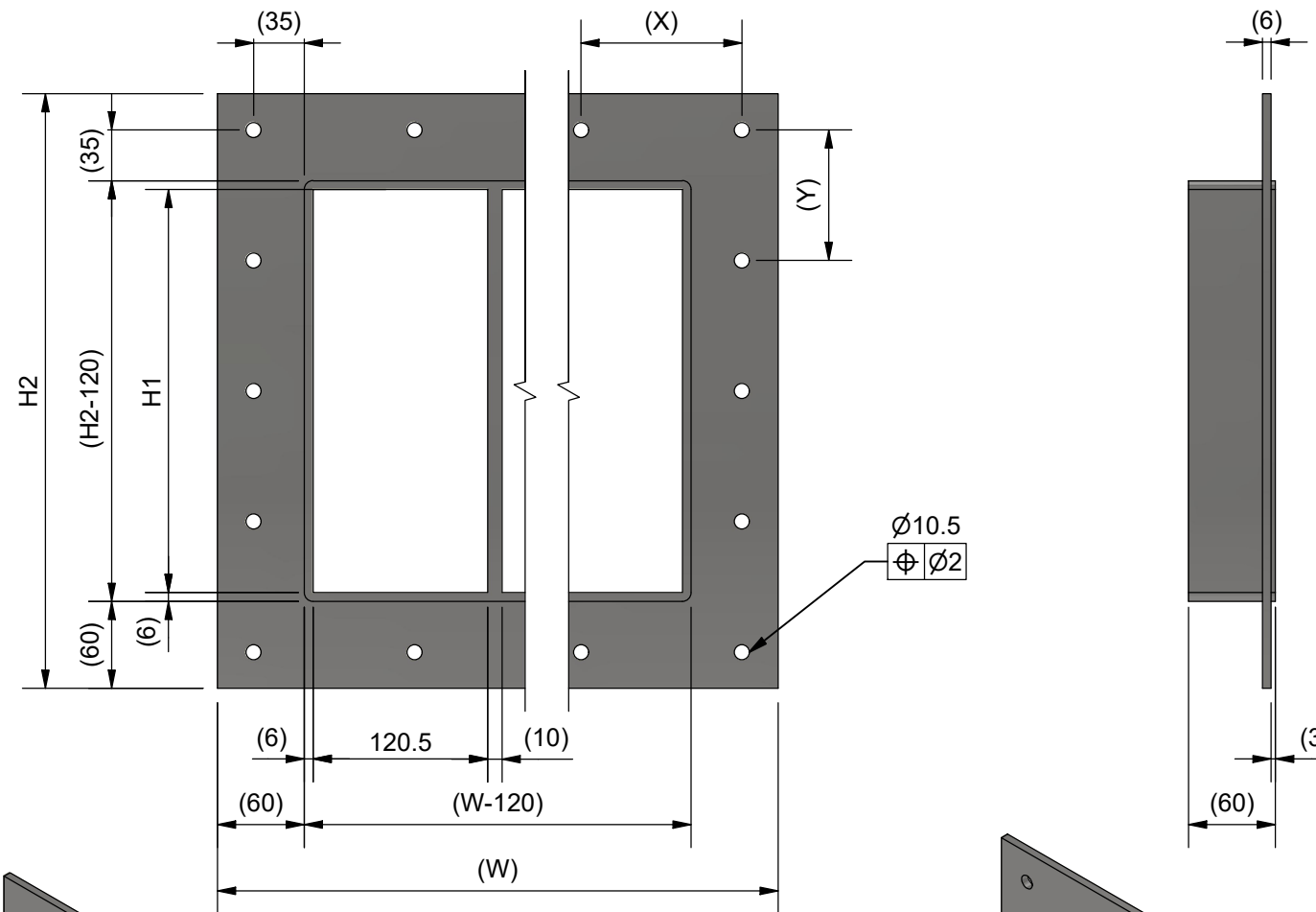


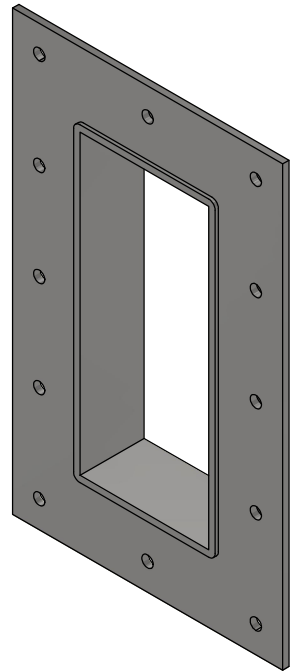
TYPE	H1 [mm]	H2 [mm]	Y [mm]	VERTICAL HOLES [QTY]
GHM 2xN	101	233	91.5	3
GHM 4xN	159.5	291.5	80.5	4
GHM 6xN	218	350	75	5
GHM 8xN	278	410	90	5

N [QTY]	W [mm]	X [mm]	HORIZONTAL HOLES [QTY]
x1	252.5	101.3	3
x2	383	111	4
x3	513.5	92.7	6
x4	644	99	7
x5	774.5	103.5	8
x6	905	95	10
x7	1035.5	98.5	11
x8	1166	101.5	12
x9	1296.5	103.9	13
x10	1427	98.4	15

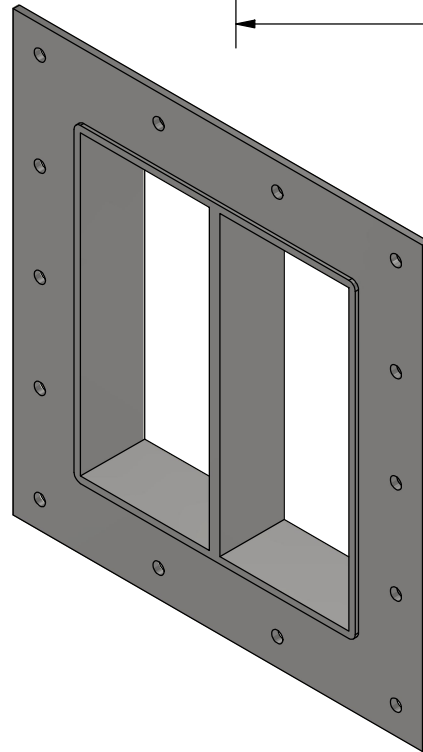
N: FRAME OPENINGS/ROW



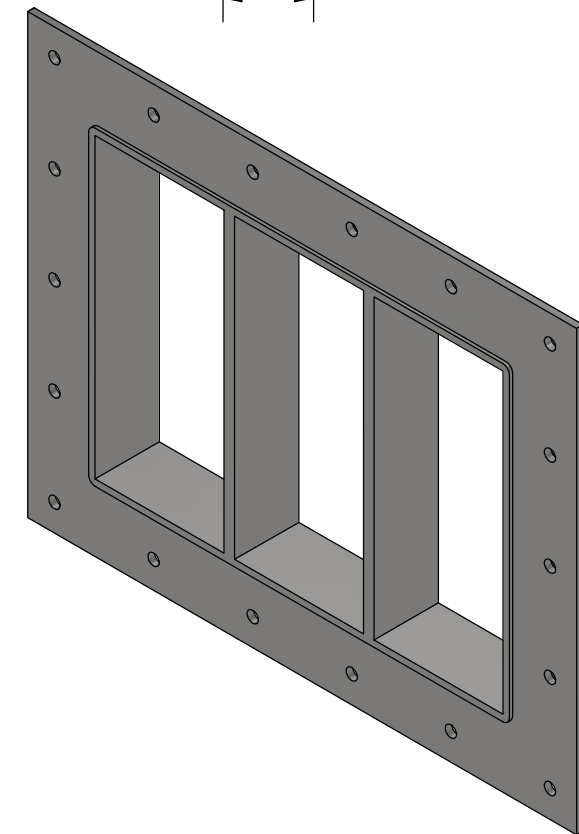
GHM 8x1
N=1




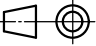
GHM 8x2
N=2



GHM 8x3
N=3



D	LAYOUT CHANGED	2024-08-21	se-marfre
Rev	Type of revision	Date	Sign

General tolerances used for manufacturing shown in document DOC-002180		Designed by/date se-luckri 2007-01-02	Latest save date 2024-08-26	Format A3	Scale	Sheet no 1 / 1	TotWeight
 www.roxtec.com		Title GHM FRAME SINGLE AND COMBINATION FRAME				Projection method 	
		Restricted due to Information drawing			Drawing number S1010385		Rev D