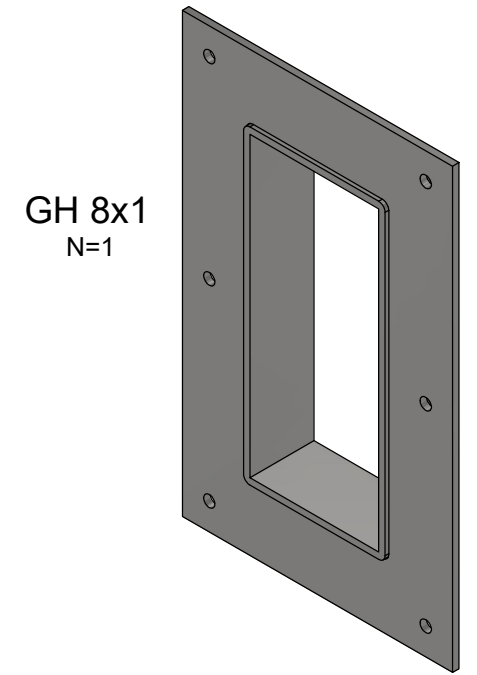
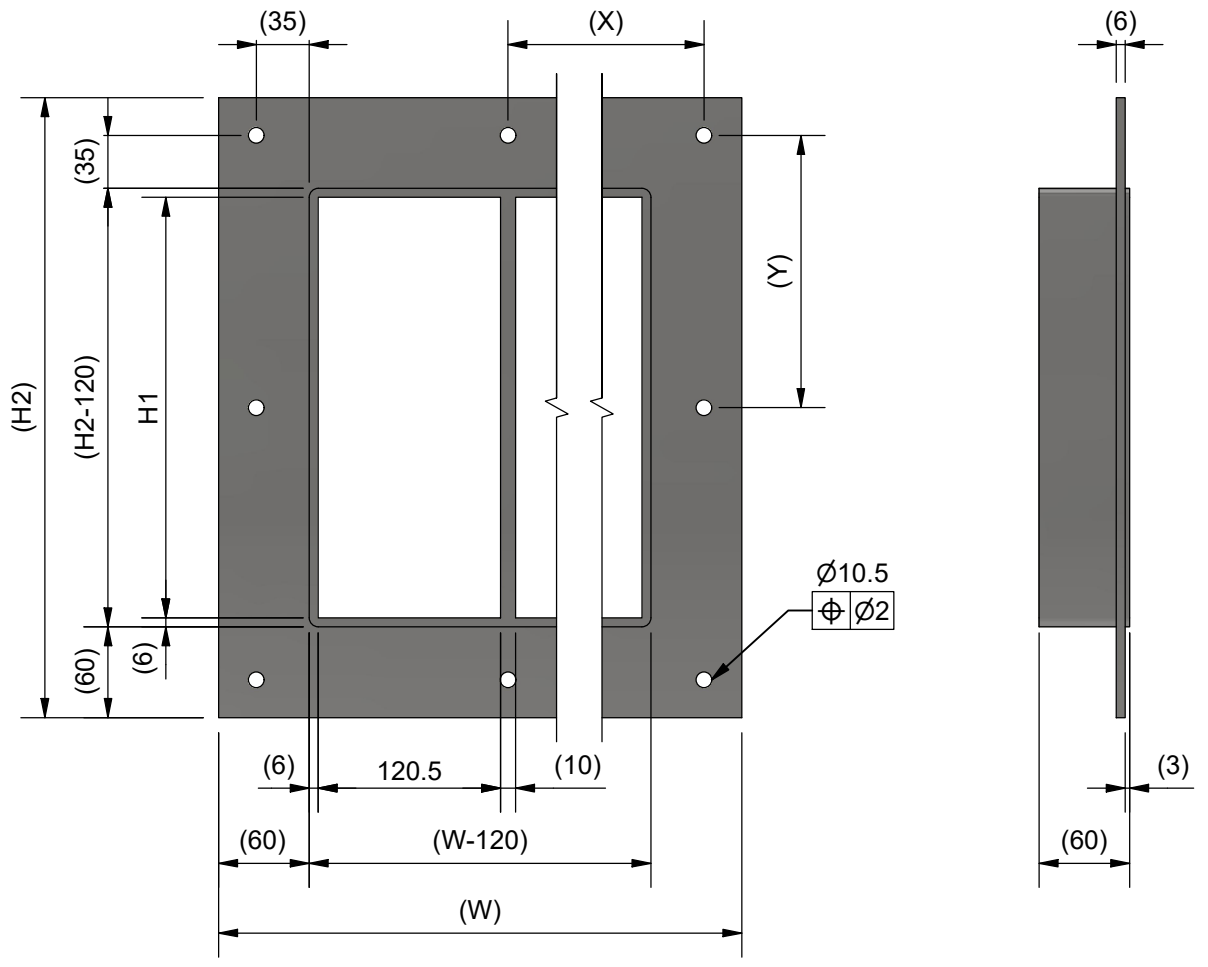


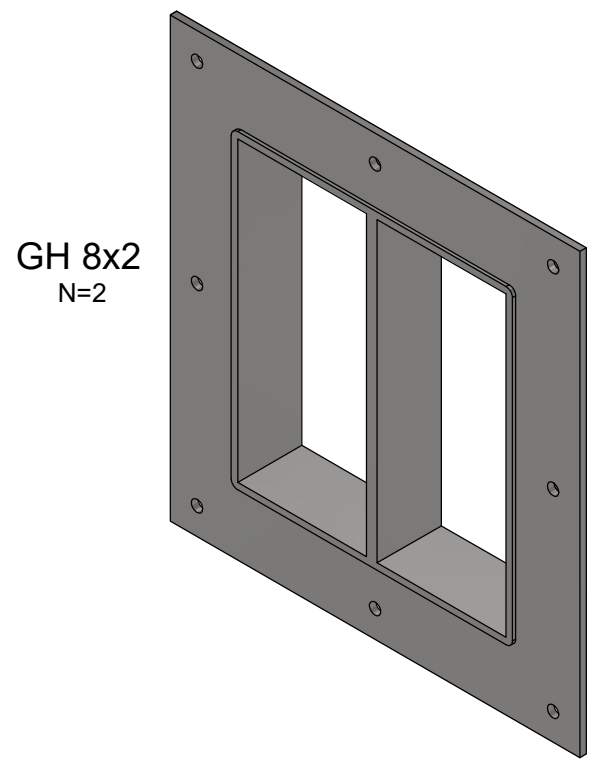
TYPE	H1 [mm]	H2 [mm]	Y [mm]	VERTICAL HOLES [QTY]
GH 2xN	101	233	183	2
GH 4xN	159.5	291.5	120.8	3
GH 6xN	218	350	150	3
GH 8xN	278	410	180	3

N [QTY]	W [mm]	X [mm]	HORIZONTAL HOLES [QTY]
x1	252.5	202.5	2
x2	383	166.5	3
x3	513.5	154.5	4
x4	644	148.5	5
x5	774.5	181.1	5
x6	905	171	6
x7	1035.5	164.2	7
x8	1166	159.4	8
x9	1296.5	155.8	9
x10	1427	153	10

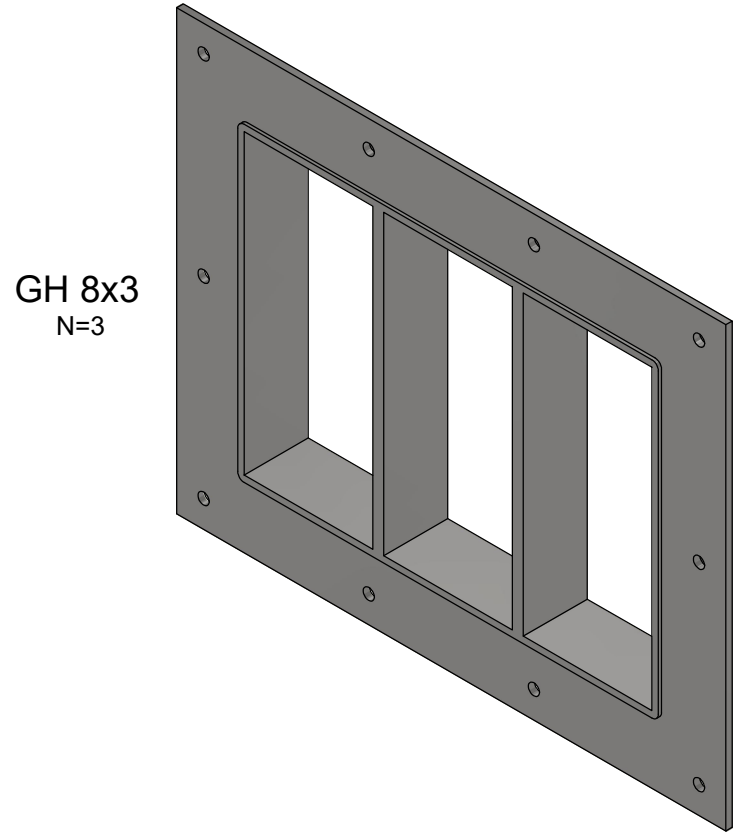
N: FRAME OPENINGS/ROW



GH 8x1
N=1


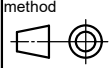


GH 8x2
N=2



GH 8x3
N=3

D	LAYOUT CHANGED	2024-08-16	se-marfre
Rev	Type of revision	Date	Sign

General tolerances used for manufacturing shown in document DOC-002180		Designed by/date se-ronpet 2007-01-02	Latest save date 2024-08-26	Format A3	Scale	Sheet no 1 / 1	TotWeight
 www.roxtec.com		Title GH FRAME SINGLE AND COMBINATION FRAME				Projection method 	
		Restricted due to Information drawing			Drawing number S1010379		Rev D