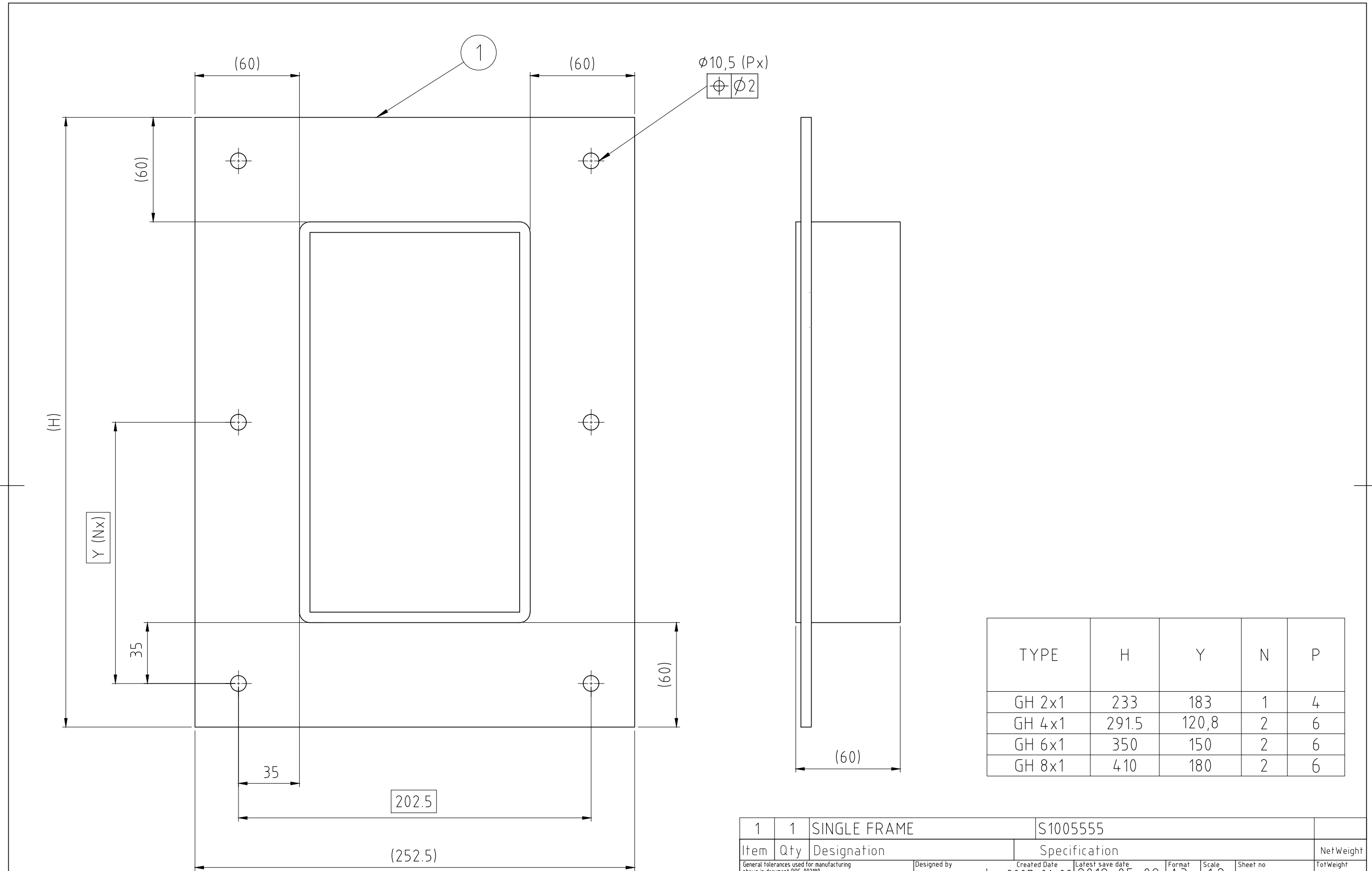



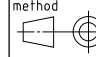
烙克赛克保留所有权利。未经授权严禁复制，
使用以及向第三方泄漏。

All rights reserved. Unauthorized reproduction, use
or disclosure to third parties is strictly forbidden.

Rev 2.0



C	UPDATED TITLE BORDER	2019-05-03	se-linado
Rev	Type of revision	Date	Sign

1	1	SINGLE FRAME	S100555				
Item	Qty	Designation	Specification				NetWeight
<small>General tolerances used for manufacturing shown in document DDC-002180</small>		Designed by se-ronpet	Created Date 2007-01-02	Latest save date 2019-05-09	Format A3	Scale 1:2	Sheet no
		Title GH FRAME SINGLE FRAME				Projection method 	
<small>Restricted due to</small>					<small>Drawing number</small> S1010379		<small>Rev</small> C

Information drawings show general design and nominal dimensions if not else stated